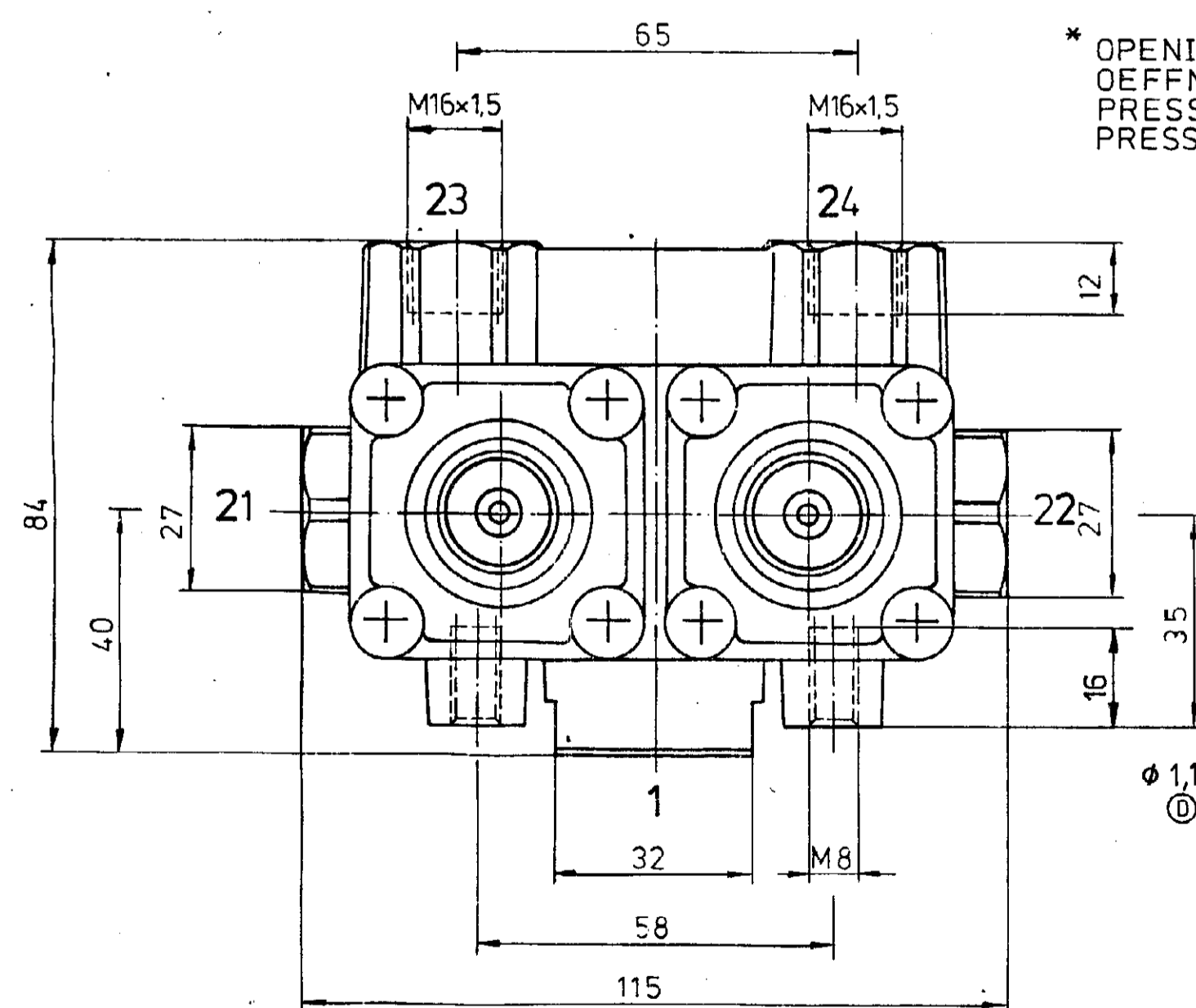
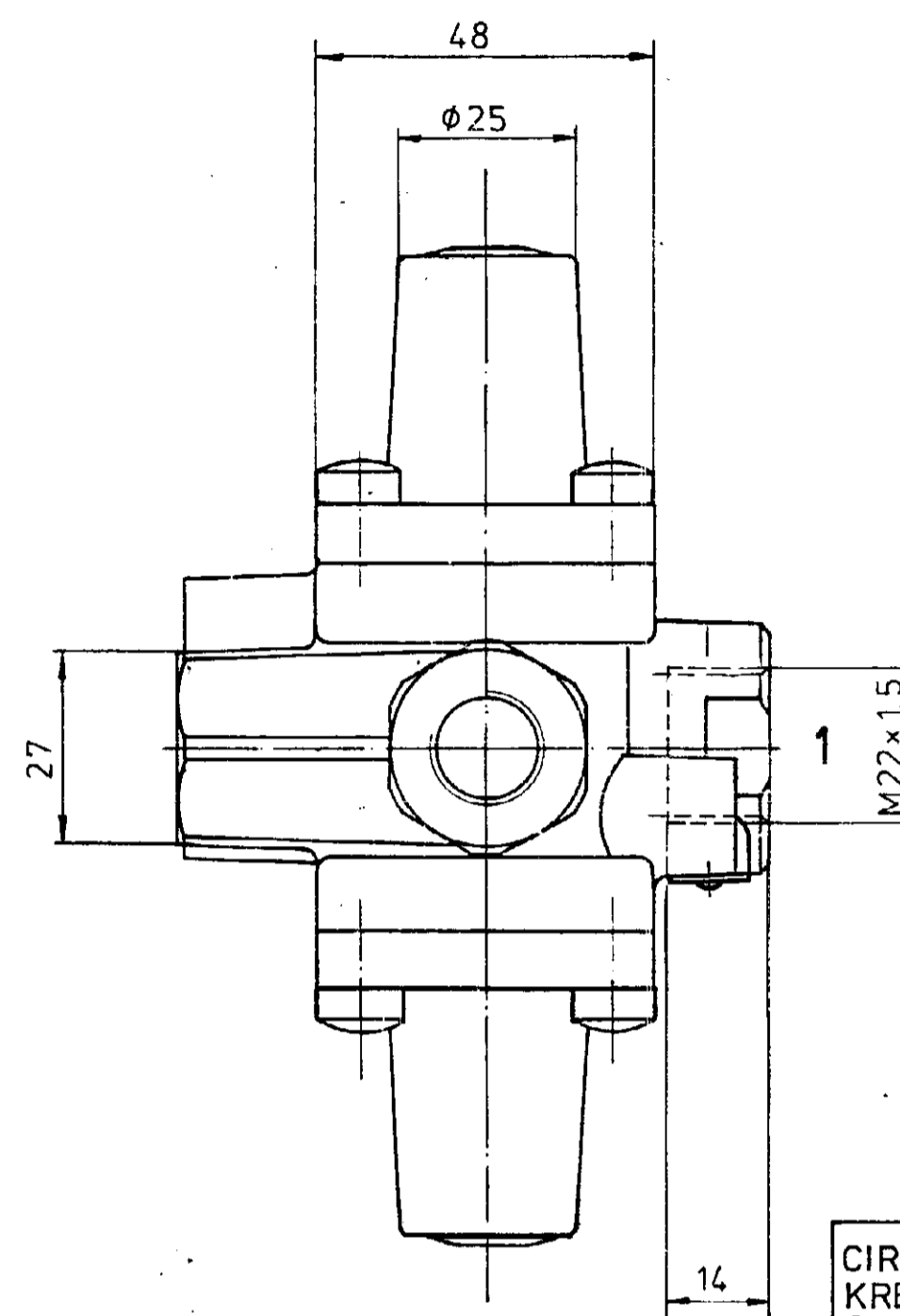
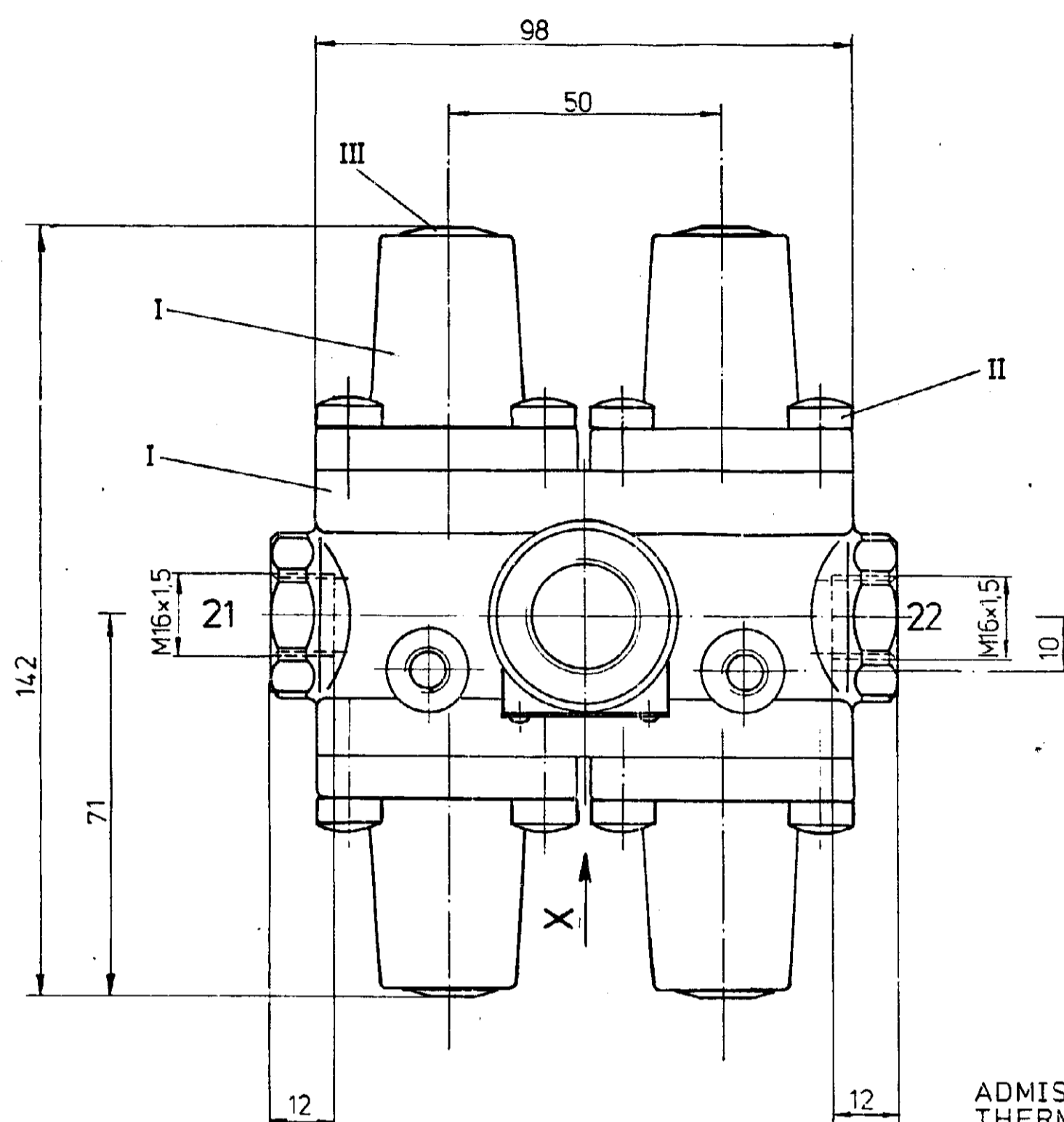
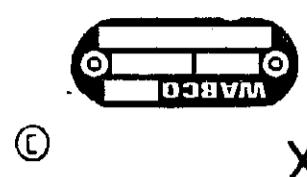


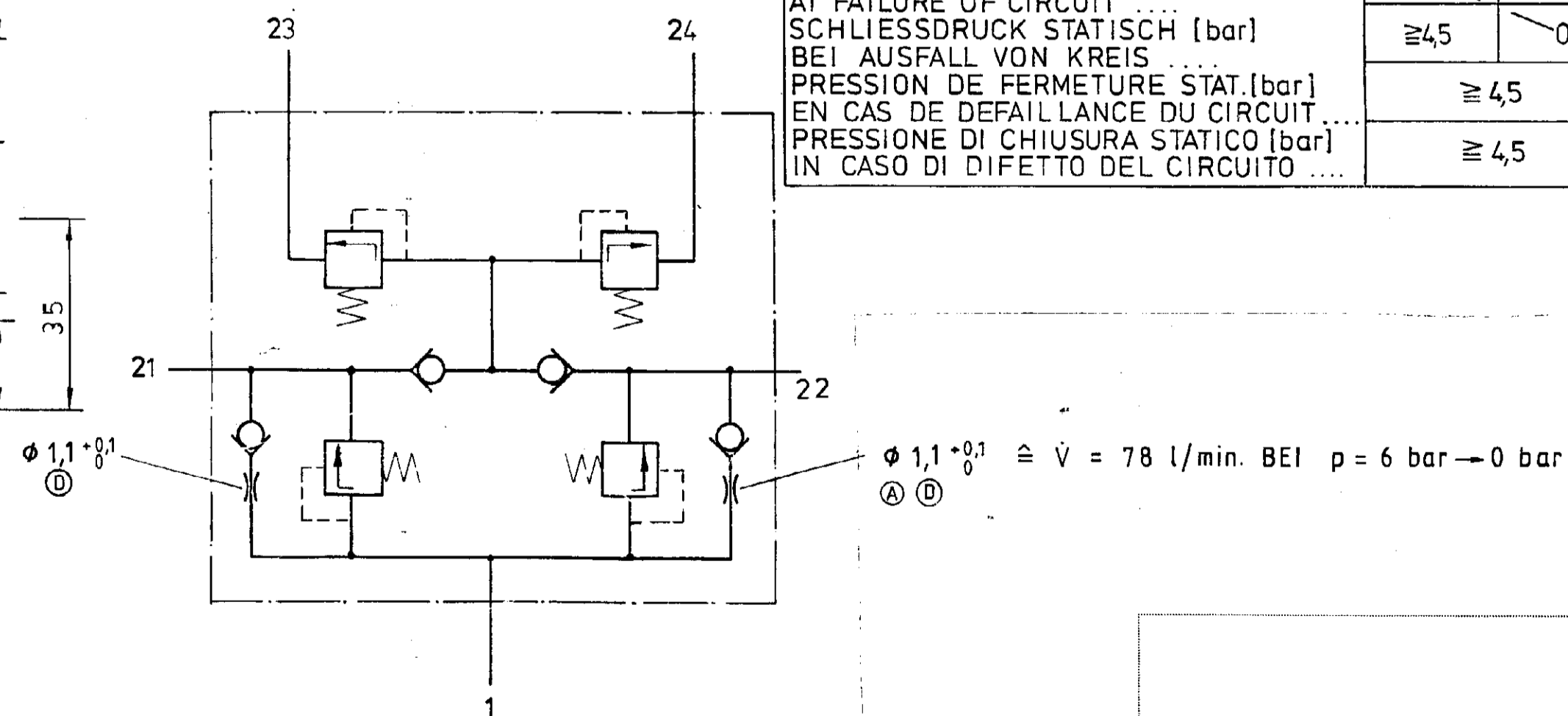
SURFACE PROTECTION
 OBERFLÄCHENSCHUTZ
 PROTECTION DE SURFACE
 PROTEZIONE SUPERFICIALE

I	JED-259
II	JED-256
III	GUMMI



ADMISSIBLE TEMPERATURES
 THERMISCHER ANWENDUNGSBEREICH -40°C...+90°C
 TEMPERATURE DE SERVICE
 TEMPERATURA D'ESERCIZIO

* OPENING PRESSURE = MAINTAINED PRESSURE
 OEFFNUNGSDRUCK = GESICHERTER DRUCK
 PRESSION D'OUVERTURE = PRESSION MAINTENUE
 PRESSIONE DI APERTURA = PRESSIONE MANTENUTA



CONNECTIONS: = SUPPLY
 ANSCHLUESSE: = LUFTEINTRITT
 ORIFICES: 1 = ALIMENTATION
 ORIFIZI = ALIMENTAZIONE

= CIRCUIT 1
 = KREIS 1
 = CIRCUIT 1
 = CIRCUITO 1

21 = CIRCUIT 2
 = KREIS 2
 = CIRCUIT 2
 = CIRCUITO 2

22 = CIRCUIT 3
 = KREIS 3
 = CIRCUIT 3
 = CIRCUITO 3

23 = CIRCUIT 4
 = KREIS 4
 = CIRCUIT 4
 = CIRCUITO 4

MEDIUM: AIR
 MEDIUM: LUF T
 MILIEU: AIR
 FLUIDO: ARIA

WEIGHT: 0.9 da N
 GEWICHT: 0.9 da N
 POIDS: 0.9 da N
 PESO: 0.9 da N

SERVICE PRESSURE: MAX. 20 bar
 BETRIEBSDRUCK: MAX. 20 bar
 PRESSION DE SERVICE: MAX. 20 bar
 PRESSIONE D'ESERCIZIO: MAX. 20 bar

CIRCUIT KREIS CIRCUIT CIRCUITO	21	22	23	24
OPENING PRESSURE [bar] * OEFFNUNGSDRUCK [bar] PRESSION D'OUVERTURE [bar] PRESSIONE DI APERTURA [bar]	6,9 ⁰ _{-0,3}	6,9 ⁰ _{-0,3}	7,0 ⁰ _{-0,2}	6,9 ⁰ _{-0,3}
CLOSING PRESSURE DYNAMIC [bar] SCHLIESSDRUCK DYNAMISCH [bar] PRESSION DE FERMETURE DYNAM. [bar] PRESSIONE DI CHIUSURA DINAM. [bar]	≅ 5			
CLOSING PRESSURE STATIC [bar] AT FAILURE OF CIRCUIT SCHLIESSDRUCK STATISCH [bar] BEI AUSFALL VON KREIS PRESSION DE FERMETURE STAT. [bar] EN CAS DE DEFAILLANCE DU CIRCUIT PRESSIONE DI CHIUSURA STATICO [bar] IN CASO DI DIFETTO DEL CIRCUITO	0 ≅ 4,5	≅ 4,5 0	≅ 6,7 ≅ 6,7	≅ 6,7 0

ATTENTION: ACHTUNG: ATTENZIONE:
 DER OEFFNUNGSDRUCK DES KREISES 23 MUSS IMMER UM 20.1 BAR UEBER DEM AM HOECHSTEN EINGESTELLTEN OEFFNUNGSDRUCK DER RESTLICHEN KREISE LIEGEN.
 THE OPENING PRESSURE OF CIRCUIT 23 MUST ALWAYS EXCEED THE HIGHEST ACTUAL OPENING PRESSURE OF THE OTHER CIRCUITS BY ≥ 0.1 BAR.
 LA PRESSION D'OUVERTURE DI CIRCUIT 23 DOIT TOUJOURS EXCEDER LA PLUS HAUTE PRESSION D'OUVERTURE DES AUTRES CIRCUITS DE ≥ 0.1 BAR.
 LA PRESSIONE D'APERTURA DEL CIRCUITO 23 DEVE SEMPRE SUPERARE LA PIU ALTA PRESSIONE DI APERTURA DEGLI ALTRI CIRCUITI DI ≥ 0.1 BAR

FURTHER TECHNICAL DATA SEE		L	
IDENTIFICATION No.		K	
CODE FOR DOCUMENT: 605 SHEET: TO		J	
GENERAL TOLERANCES		H	
RANGE OF NOMINAL DIMENSIONS (± mm)		G	
CLASS		F	
I	≤ 50	E	
II	> 50 ≤ 100	D	
III	> 100 ≤ 180	C	
	> 180 ≤ 400	B	
	> 400	A	
TAPPED HOLES ACC. ISO 4039 / JED-152			
TOLERANCE CLASS APPLIED CROSSMARKED			

COPYRIGHT		WABCO	
DATE	SIGNATURE	QUADRUPLE CIRCUIT PROTECTION VALVE	
92-10-01		VIERKREIS-SCHUTZVENTIL	
CHECKED		VALVE DE PROTECTION (A 4 CIRCUITS)	
DRAWN		VALVOLA DI PROTEZIONE (A 4 CIRC)	
STANDARDIZATION		PRODUCT IDENTIFICATION NO.	
92-10-02		934 702 322 0	
MASS	SCALE	CODE FOR DOCUMENT	SHEET
1,0 kg	1:1	605	1/1
SIZE	TR.	REPLACEMENT FOR	
A 1	140		

Vertical text on the left margin, likely a legal disclaimer or copyright notice in multiple languages.