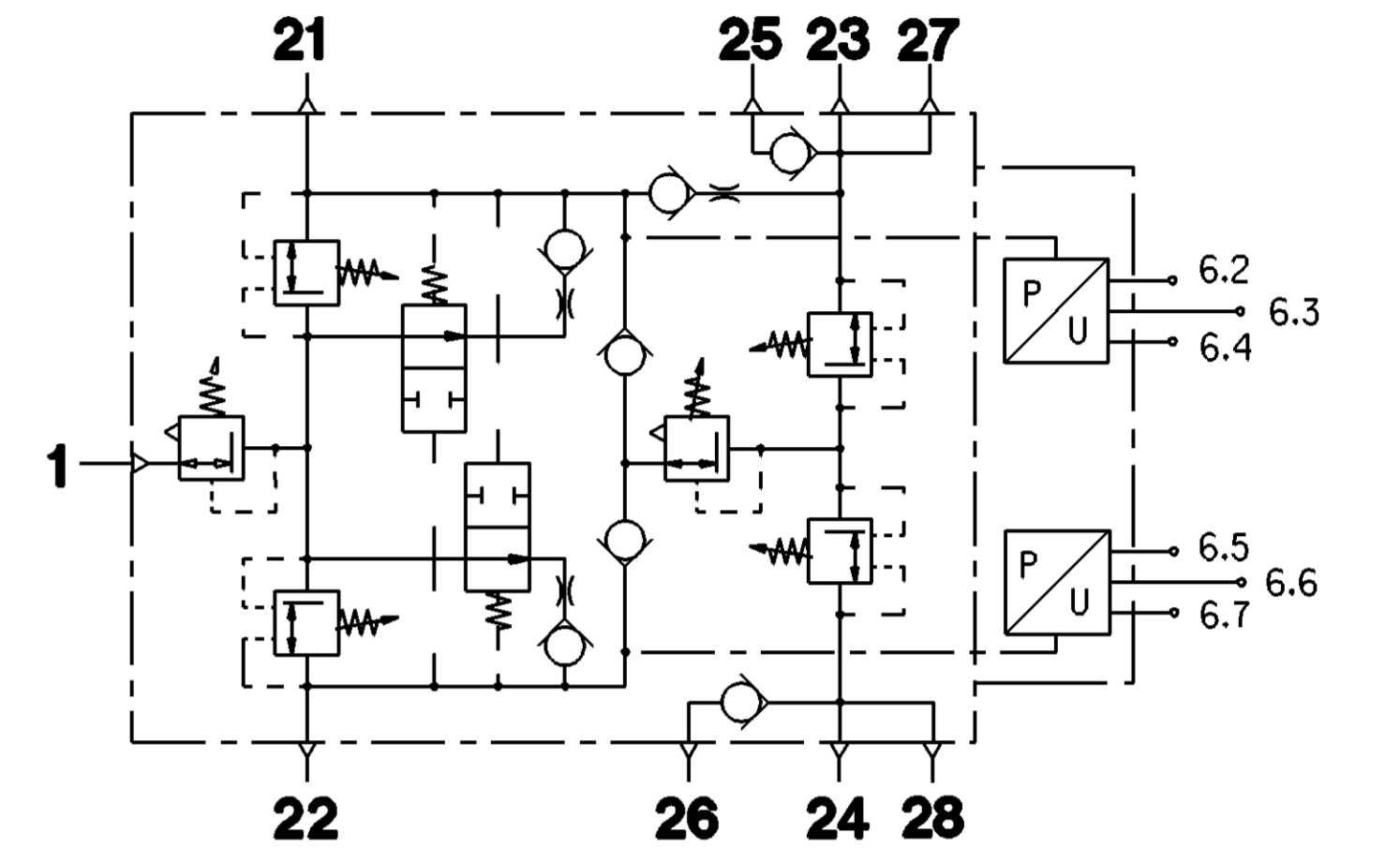


894 110 062 (DIN 72585) (H)  
 ISO 15170,  
 AMP No:92-52080-100  
 PINS  
 7 - POLIG  
 POLES  
 POLI

-C- CUSTOMER INTERFACE	
MATERIAL	SURFACE PROTECTION
I ALU. ALLOY	CHROMATED
II STEEL	Zn-Ni PASSIVATION
III PLASTIC	NO TREATMENT

THERMAL RANGE OF CONTINUOUS APPLICATION:  
 THERMISCHER DAUERANWENDUNGSBEREICH: -40°C....+80°C  
 PLAGE DE TEMPERATURE EN UTILISATION CONTINUE:  
 COMPO DI APPLICAZIONE CONTINUA:  
 MEDIUM: COMPRESSED AIR WORKING PRESSURE: p<sub>g</sub> max.=13bar  
 MEDIUM: DRUCKLUFT BETRIEBSDRUCK:  
 FLUIDO: AIR COMPRIE PRESSION DE SERVICE:  
 FLUIDO: ARIA COMPRESSA PRESSIONE D' ESERCIZIO:

INSTALLATION POSITION OPTIONAL  
 EINBALLAGE BELIEBIG  
 POSITION D' INSTALLATION A VOLONTE  
 POSIZIONE DI MONTAGGIO A SCELTA



**PRESSURE SENSOR MODULE**  
 DRUCKSENSORMODUL  
 MODULE DE CAPTEUR DE PRESSION  
 MODULO DI SENSORE DI PRESSIONE

MEASURING PRINCIPLE :PIEZO-RESISTIVE  
 MESSPRINZIP :PIEZORESISTIV  
 PRINCIPE DE MESURE :PIEZORESISTIF  
 PRINCIPIO DI MISURA :PIEZORESISTIVO

SUPPLY VOLTAGE : 8 ... 32 V DC  
 SPEISESPANNUNG : 8 ... 32 V DC  
 TENSION D'ALIMENTATION : 8 ... 32 V DC  
 TENSIONE D'ALIMENTAZIONE : 8 ... 32 V DC

CURRENT CONSUMPTION : Max. 30 mA  
 STROMAUFNAHME : (2x Max. 15mA)  
 CONSUMATION DE COURANT : (2x Max. 15mA)  
 ASSORBIMENTO DI CORRENTE : (2x Max. 15mA)

INRUSH CURRENT : ≤ 115 mA (t ≤ 16 μs)  
 EINSCHALTSTROM : ≤ 115 mA (t ≤ 16 μs)  
 COURANT D'APPEL : ≤ 115 mA (t ≤ 16 μs)  
 CORRENTE DI INSERIMENTO : ≤ 115 mA (t ≤ 16 μs)

THERMAL RANGE OF APPLICATION : -40°C....+80°C  
 THERMISCHER ANWENDUNGSBEREICH : -40°C....+80°C  
 PLAGE DE TEMPERATURE EN UTILISATION : -40°C....+80°C  
 CAMPO TERMICO DI APPLICAZIONE : -40°C....+80°C

MEASURING RANGE : 0 - 12 bar  
 MESSBEREICH : 0 - 12 bar  
 ZONE DE MESURE : 0 - 12 bar  
 CAMPO DI MISURA : 0 - 12 bar

ADMISSIBLE OVERPRESSURE : 20 bar (H)  
 ZULAESSIGER UEBERDRUCK : 20 bar (H)  
 ADMISSIBLE SUPPRESSION : 20 bar (H)  
 ADMISSIBILE SOVRAPRESSIONE : 20 bar (H)

PORT : ISO 15170  
 ANSCHLUSS : ISO 15170  
 ORIFICE : ISO 15170  
 ORIFIZIO : ISO 15170

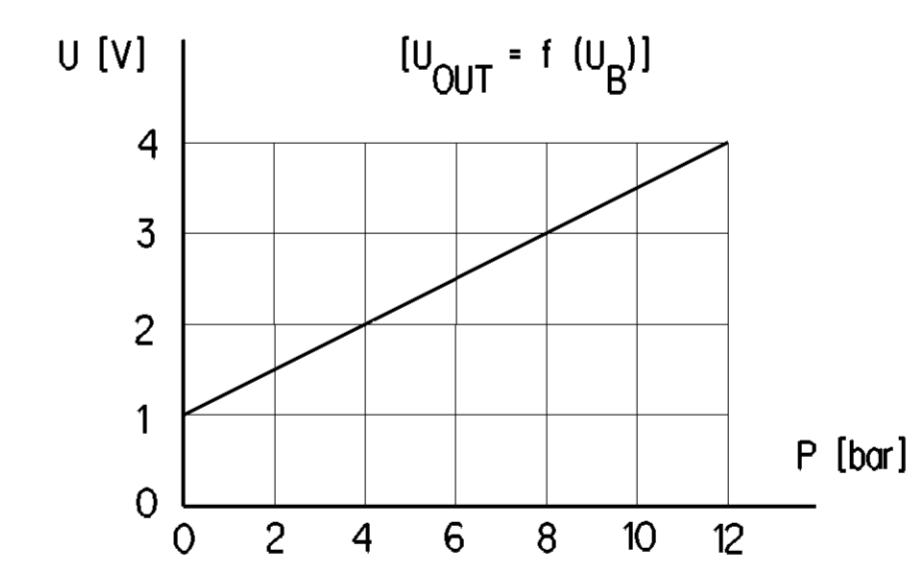
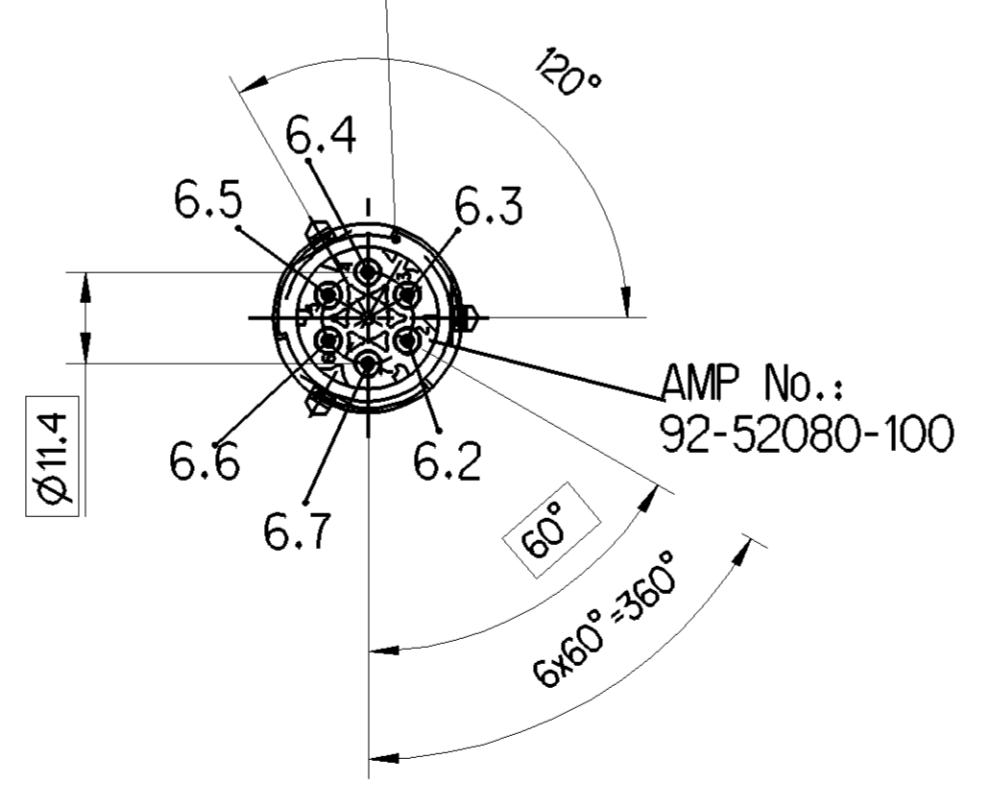
OFFSET : 1 V  
 OFFSET : 1 V  
 DEPLACEMENT DE VALEURS : 1 V  
 DIFFERIMENTO DEI VALORI : 1 V

SENSITIVITY : 250 mV / bar  
 EMPFINDLICHKEIT : 250 mV / bar  
 SENSIBILITE : 250 mV / bar  
 SENSIBILITA : 250 mV / bar

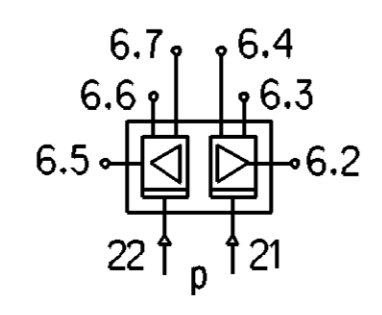
LINEARITY : ± 0.3 % FS  
 LINEARITAET : ± 0.3 % FS  
 LINEARITE : ± 0.3 % FS  
 LINEARITA : ± 0.3 % FS

HYSTERESIS : ± 0.2 % FS  
 HYSTERESE : ± 0.2 % FS  
 HYSTERESE : ± 0.2 % FS  
 ISTERESI : ± 0.2 % FS

SEE WABCO-DRAWING 858 000 823 4  
 SIEHE WABCO-ZEICHNUNG 858 000 823 4  
 VOIR WABCO-DESSIN 858 000 823 4  
 VEDER 858 000 823 4



CIRCUIT KREIS CIRCUIT CIRCUITO	21	22
CONTACT KONTAKT CONTACT CONTATTO	6.2 6.3 6.4	6.5 6.6 6.7
FUNCTION FUNKTION FUNCTION FUNZIONE	OUTPUT AUSGANG SORTIE USCITA	+24 VDC 0 V OUTPUT AUSGANG SORTIE USCITA



CONNECTIONS; ANSCHLUESSE; ORIFICES; ORIFIZI:	1	FROM AIR DRYER VOM LUFTTROCKNER DE DESSICATEUR D'AIR ESSICATORE D'ARIA
	21	1
	22	2
	23, 25, 27	3
	24, 26, 28	4
		CIRCUIT KREIS CIRCUIT CIRCUITO
		1 2 3 4
PRESSURE DRUCK PRESSION PRESSIONE	[bar]	CIRCUIT KREIS CIRCUIT 1+2 CIRCUITO
OPENING PRESSURE OEFFNUNGSDRUCK : dyn. PRESSION D'OUVERTURE : PRESSIONE DI APERTURA:	9.0 <sup>0</sup> <sub>-0.3</sub>	CIRCUIT KREIS CIRCUIT 3+4 CIRCUITO
CLOSING PRESSURE SCHLIESSDRUCK : dyn. PRESSION DE FERMETURE : PRESSIONE DI CHIUSURA:	≥ 7.0	7.5 <sup>0</sup> <sub>-0.3</sub>
PRESSURE LIMITING DRUCKBEGRENZUNG LIMITATION DE PRESSION LIMITAZIONE DI PRESSIONE	10 ± 0.2	8.5 <sup>0</sup> <sub>-0.4</sub>

General Specification: JED-334-1, Size ISO 14405 LP  
 Copyright WABCO  
 Further Technical Data: Product Specification  
 Doc. Code: 035 Sheet: 1 To 8  
 Date: 2020-07-23  
 Checked: Kurzynski  
 Expert: Zowiszo  
 Mass: 1.63 kg  
 Scale: 1:1  
 Size: CAD System  
 Material No.: 934 705 003 0  
 Date of first issue: 2010-06-07  
 Doc. Code: 005 ML 1/1  
 ECU-No.: 503693  
 Revision: 11 x H  
 Techn. Resp.: 5120  
 Replacement for: 503693

Tutti i diritti sono riservati. È vietata espressamente la ristampa o l'uso non autorizzato senza permesso scritto dalla WABCO. Tutti i diritti sono riservati. Toute réimpression ou utilisation non autorisée sans la permission écrite de la WABCO est formellement interdite. Toute réimpression ou utilisation non autorisée sans la permission écrite de la WABCO est formellement interdite. All rights reserved. No part of this document may be reproduced, stored in a retrieval system, or transmitted in any form or by any means, electronic, mechanical, photocopying, recording, or by any information storage and retrieval system, without the prior written permission of WABCO. All rights reserved.