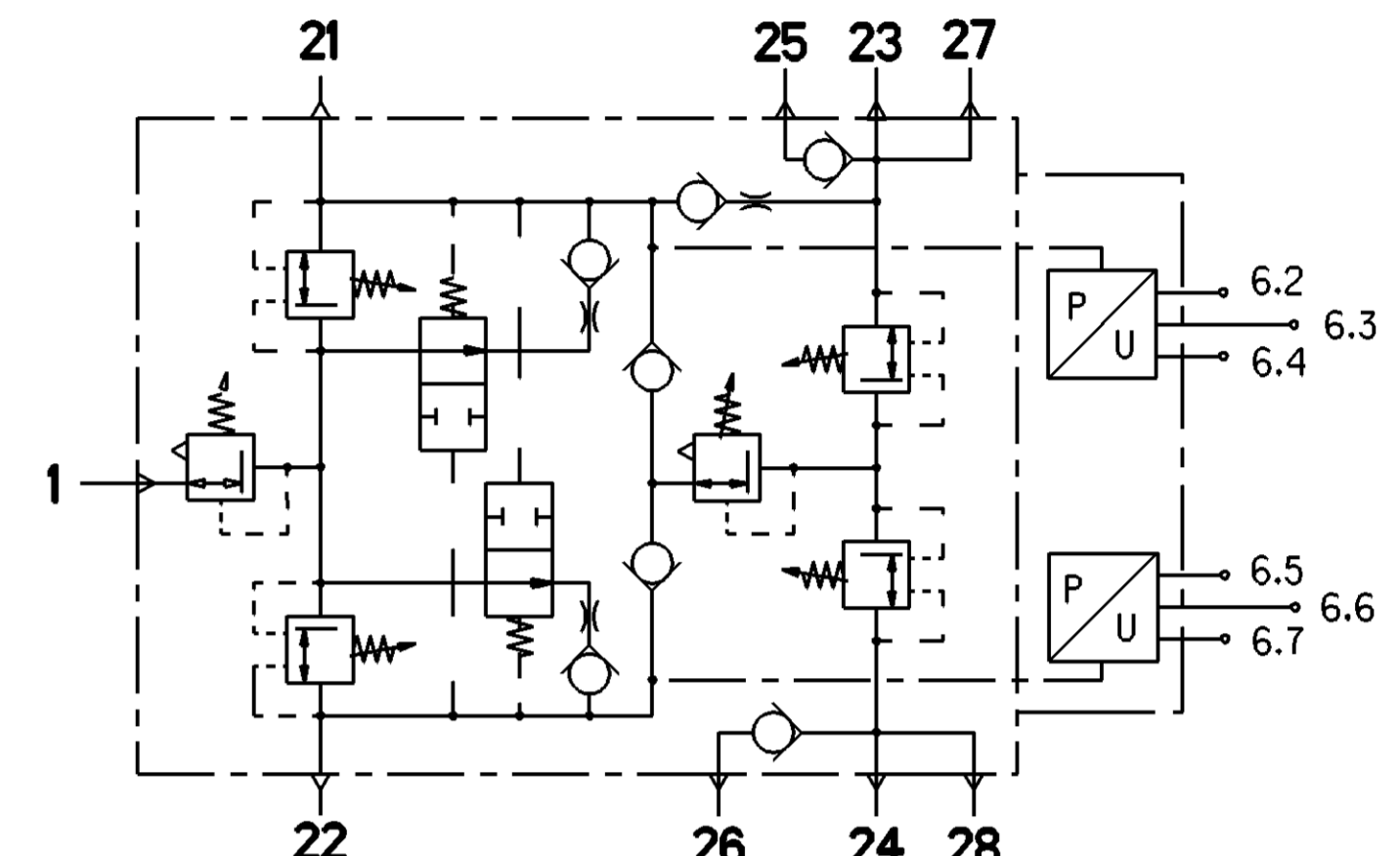


894 110 062 (DIN 72585) (E)  
 ISO 15170.  
 AMP No.92-52080-100  
 PINS  
 7 - POLIG  
 POLES  
 POLI

-CI- CUSTOMER INTERFACE		0
MATERIAL	SURFACE PROTECTION	
I ALU. ALLOY	CHROMATED	
II STEEL	Zn-Ni PASSIVATION	
III PLASTIC	NO TREATMENT	

THERMAL RANGE OF CONTINUOUS APPLICATION:  
 THERMISCHER DAUERANWENDUNGSBEREICH: -40°C...+80°C  
 PLAGE DE TEMPERATURE EN UTILISATION CONTINUE:  
 COMPO DI APPLICAZIONE CONTINUA:  
 MEDIUM: COMPRESSED AIR WORKING PRESSURE:  $p_g \text{ max.} = 13 \text{ bar}$   
 MEDIUM: DRUCKLUFT BETRIEBSDRUCK:  
 FLUIDO: AIR COMPRIE PRESSION DE SERVICE:  
 FLUIDO: ARIA COMPRESSA PRESSIONE D'ESERCIZIO:

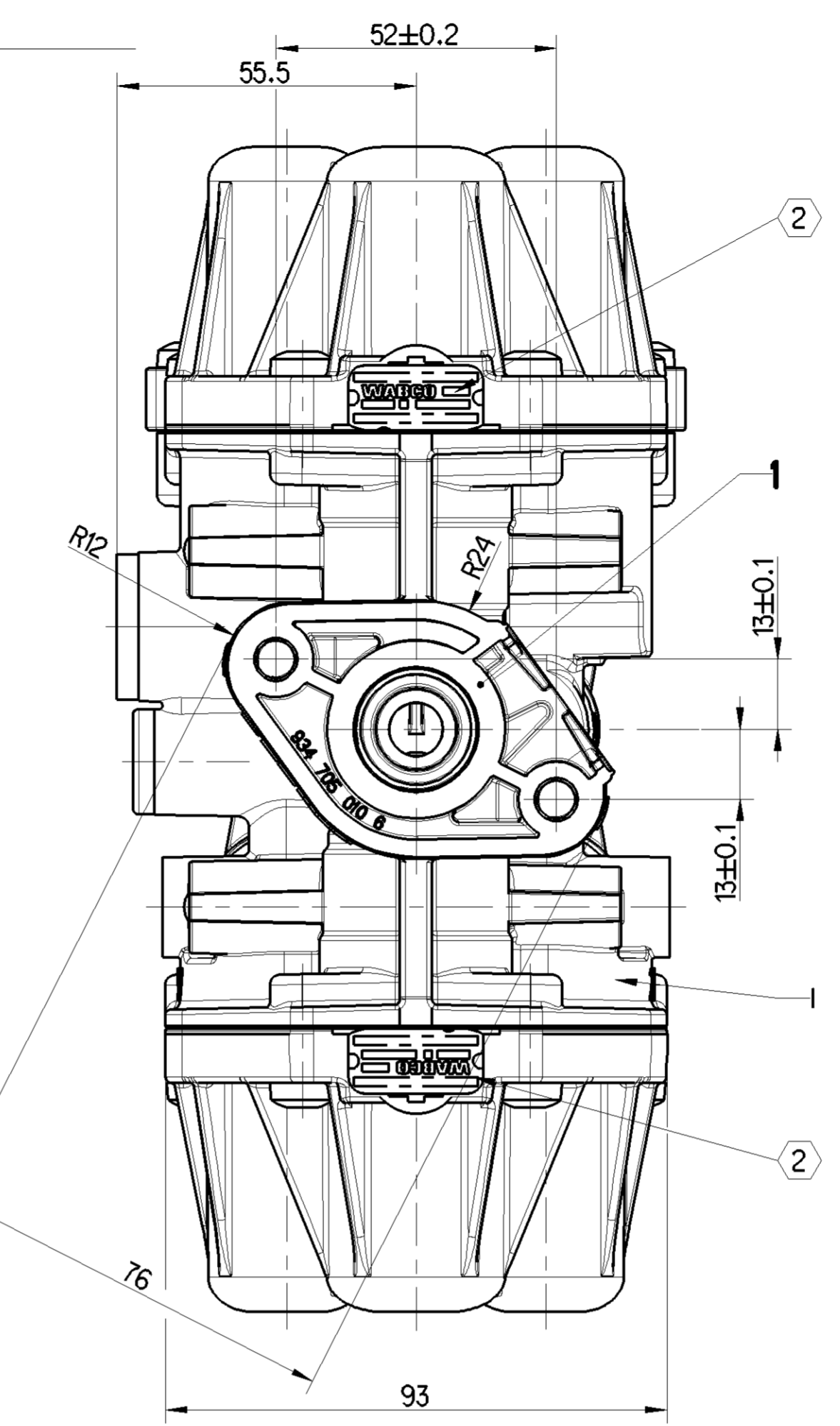
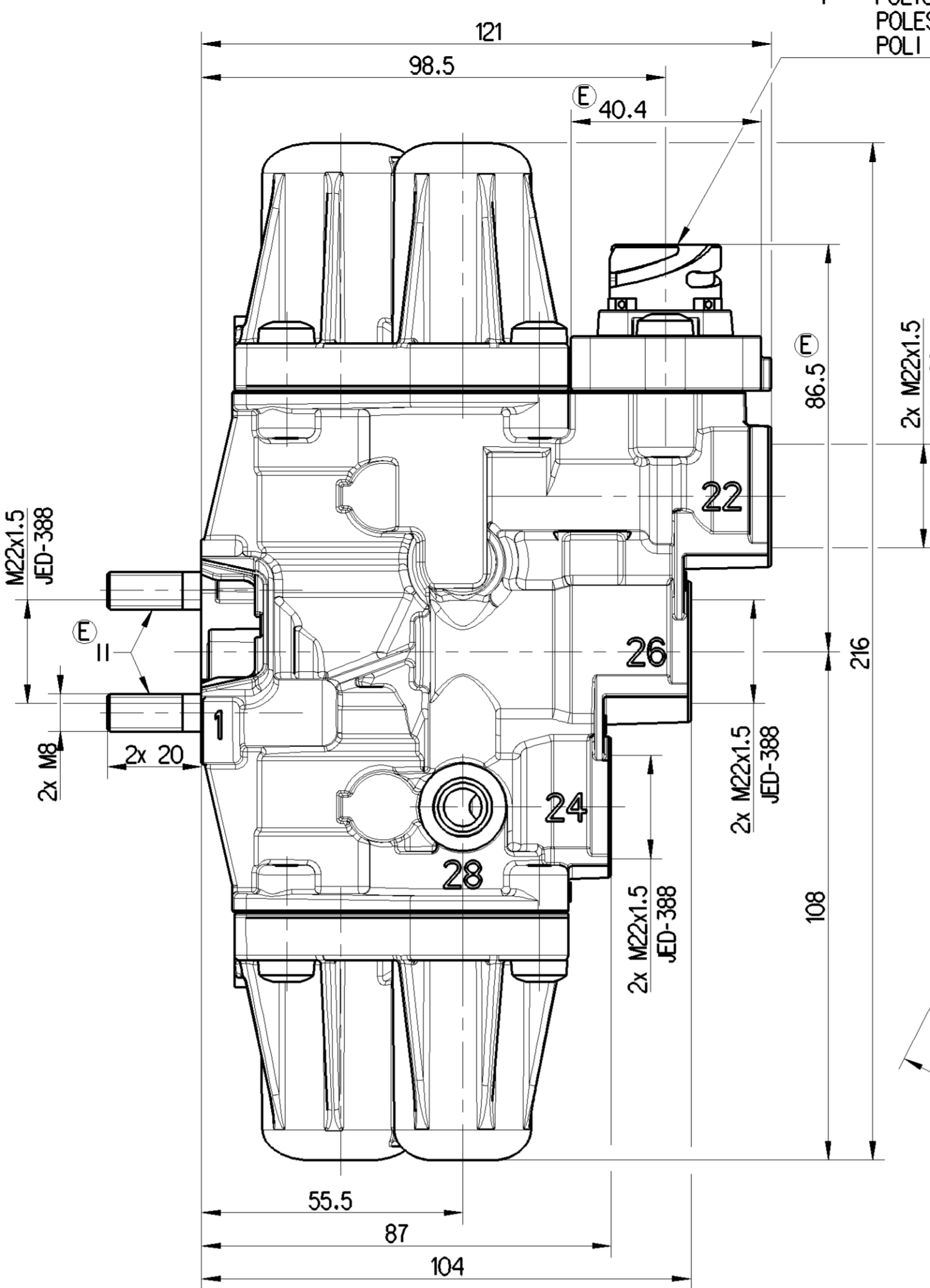
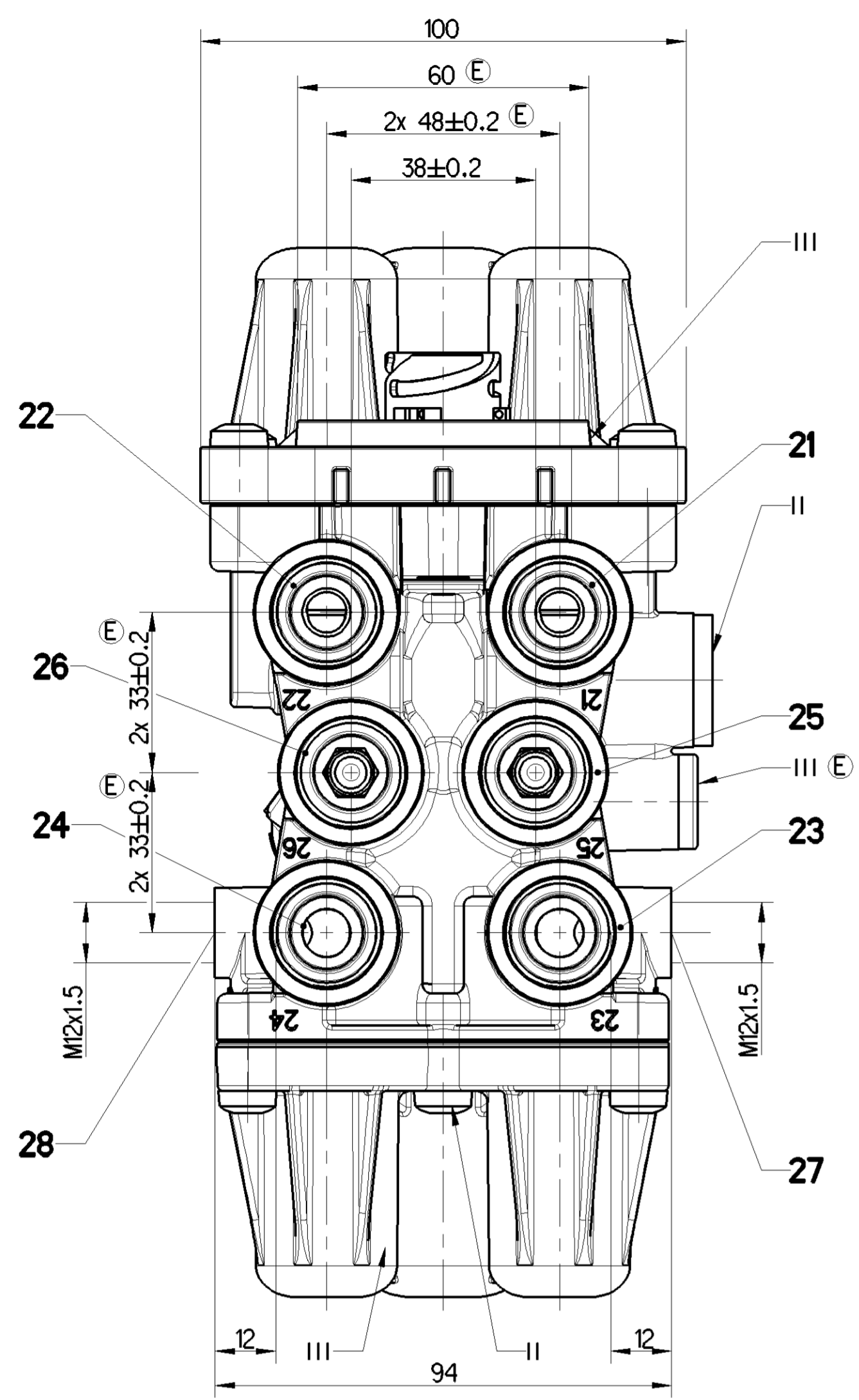
INSTALLATION POSITION OPTIONAL  
 EINBALLAGE BELIEBIG  
 POSITION D'INSTALLATION A VOLONTE  
 POSIZIONE DI MONTAGGIO A SCELTA



- ① PRESSURE AFTER CONSUMPTION  
 MAX PRESSURE DURING FILLING THE VEHICLE FROM ZERO: 8.9 0/-0.4 bar  
 NOT FOR TRAILER SUPPLY
- ② FREE FROM PAINT  
 FARBFREI  
 EXEMPT DE PEINTURE  
 NON VERNICIARE

CONNECTIONS; ANSCHLUESSE; ORIFICES; ORIFIZI:	1	FROM AIR DRYER VOM LUFFTTROCKNER DE DESSICATEUR D'AIR ESSICATORE D'ARIA
21	CIRCUIT KREIS CIRCUIT CIRCUITO	1
22		2
23, 25, 27		3
24, 26, 28		4

PRESSURE DRUCK PRESSION PRESSIONE [bar]	CIRCUIT KREIS CIRCUIT 1+2 CIRCUITO	CIRCUIT KREIS CIRCUIT 3+4 CIRCUITO
OPENING PRESSURE OEFFNUNGSDRUCK : dyn. PRESSION D'OUVERTURE : PRESSIONE DI APERTURA:	9.0 $^{0}_{-0.3}$	7.5 $^{0}_{-0.3}$
CLOSING PRESSURE SCHLIESSDRUCK : dyn. PRESSION DE FERMETURE: PRESSIONE DI CHIUSURA:	$\geq 7.0$	$\geq 4.5$
PRESSURE LIMITING DRUCKBEGRENZUNG LIMITATION DE PRESSION LIMITAZIONE DI PRESSIONE	10 $\pm 0.2$	① 8.6 $^{0}_{-0.4}$



**PRESSURE SENSOR MODULE**  
 DRUCKSENSORMODUL  
 MODULE DE CAPTEUR DE PRESSION  
 MODULO DI SENSORE DI PRESSIONE

**MEASURING PRINCIPLE** : PIEZO-RESISTIVE  
 MESSPRINZIP : PIEZORESISTIV  
 PRINCIPE DE MESURE : PIEZORESISTIF  
 PRINCIPIO DI MISURA : PIEZORESISTIVO

**SUPPLY VOLTAGE** : 8 ... 32 V DC  
 SPEISESPANNUNG :  
 TENSION D'ALIMENTATION :  
 TENSIONE D'ALIMENTAZIONE

**CURRENT CONSUMPTION** : Max. 30 mA (2x Max. 15mA)  
 STROMAUFNAHME :  
 CONSOMMATION DE COURANT :  
 ASSORBIMENTO DI CORRENTE

**INRUSH CURRENT** :  $I \leq 115 \text{ mA}$  ( $t \leq 16 \mu\text{s}$ )  
 EINSCHALTSTROM :  
 COURANT D'APPEL :  
 CORRENTE DI INSERIMENTO

**THERMAL RANGE OF APPLICATION** : -40°C... +80°C  
 THERMISCHER ANWENDUNGSBEREICH :  
 PLAGE DE TEMPERATURE EN UTILISATION :  
 CAMPO TERMICO DI APPLICAZIONE

**MEASURING RANGE** : 0 - 12 bar  
 MESSBEREICH :  
 ZONE DE MESURE :  
 CAMPO DI MISURA :  
 RELATIVE PRESSURE  
 RELATIVDRUCK  
 PRESSION RELATIVE  
 PRESSIONE RELATIVA

**ADMISSIBLE OVERPRESSURE** : 20 bar (E)  
 ZULAESSIGER UEBERDRUCK :  
 ADMISSIBLE SUPPRESSION :  
 ADMISSIBILE SOVRAPRESSIONE

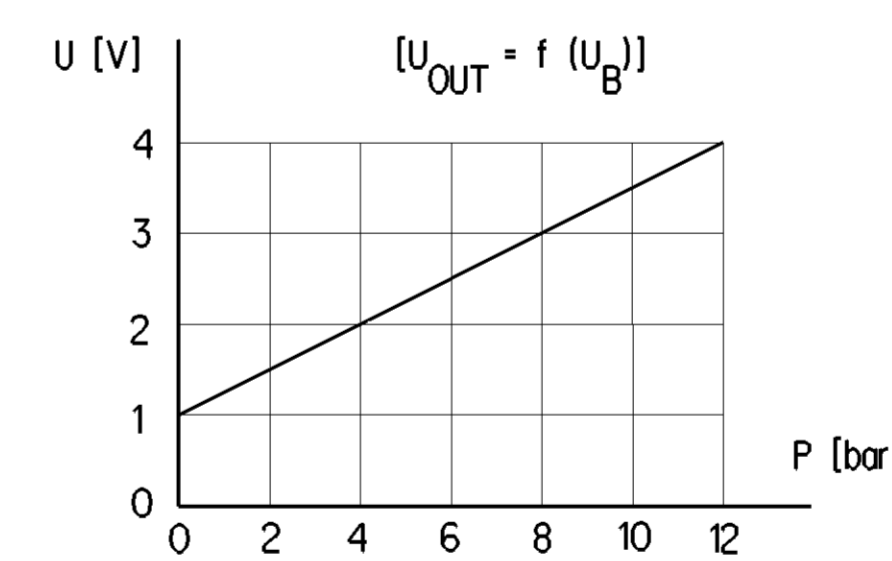
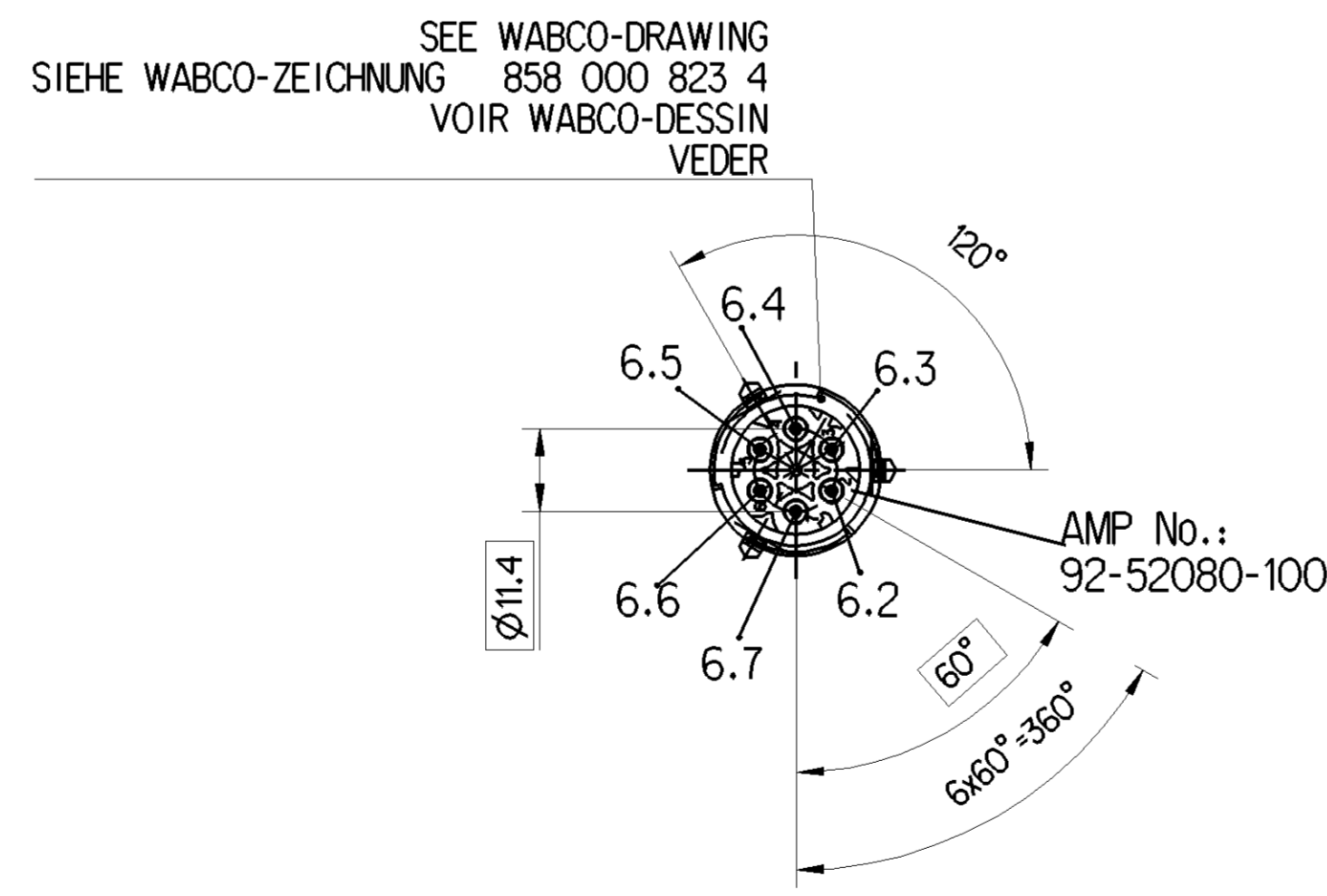
**PORT** : ISO 15170  
 ANSCHLUSS :  
 ORIFICE :  
 ORIFIZIO

**OFFSET** : 1 V  
 OFFSET :  
 DEPLACEMENT DE VALEURS :  
 DIFFERIMENTO DEI VALORI

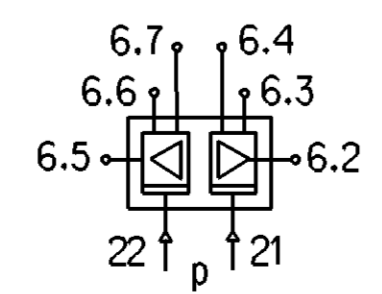
**SENSITIVITY** : 250 mV / bar  
 EMPFINDLICHKEIT :  
 SENSIBILITE :  
 SENSIBILITA

**LINEARITY** :  $\pm 0.3 \%$  FS  
 LINEARITAET :  
 LINEARITE :  
 LINEARITA

**HYSTERESIS** :  $\pm 0.2 \%$  FS  
 HYSTERESE :  
 HYSTERESE :  
 ISTERESI



CIRCUIT KREIS CIRCUIT CIRCUITO	21	22
CONTACT KONTAKT CONTACT CONTATTO	6.2 6.3 6.4	6.5 6.6 6.7
FUNCTION FUNKTION FUNCTION FUNZIONE	OUTPUT AUSGANG SORTIE USCITA	+24 VDC 0 V



General Specifications: JED-334-1 - Size ISO 14-405 LP

Copyright WABCO®

Further Technical Data: Date: 2020-07-23, Sheet: 1 of 1, To: Kurzynski

Doc. Code: 934 705 008 0

General Tolerances JED-261

Class	1)	2)	3)	4)	5)
Fine	0.5	1.0	1.5	2.0	
Medium	1.0	2.0	3.0	4.0	$\pm 3^\circ$
Coarse	2.0	3.5	5.0	6.5	

Mass: 1.584 kg, Scale: 1:1

Size: CAD System

Material No.: 934 705 008 0

Date of first issue: 200-06-07

Doc. Code: 005 ML 1/1

Revision: 11 x E, Tech. Resp.: 503693, 5120

Replacement for: 503693

1) Tolerance Class Applied Crossmarked

Toute communication ou reproduction de ce document, sans autorisation de son auteur, est formellement interdite. Toute réimpression ou utilisation non autorisée sans la permission écrite de l'auteur est formellement interdite. Toute violation de ces conditions de vente sera poursuivie devant les tribunaux et entraînera des condamnations pécuniaires. All rights reserved. No part of this document may be reproduced or transmitted in any form or by any means electronic or mechanical, including photocopying and recording, or by any information storage or retrieval system, without the prior written permission of WABCO.