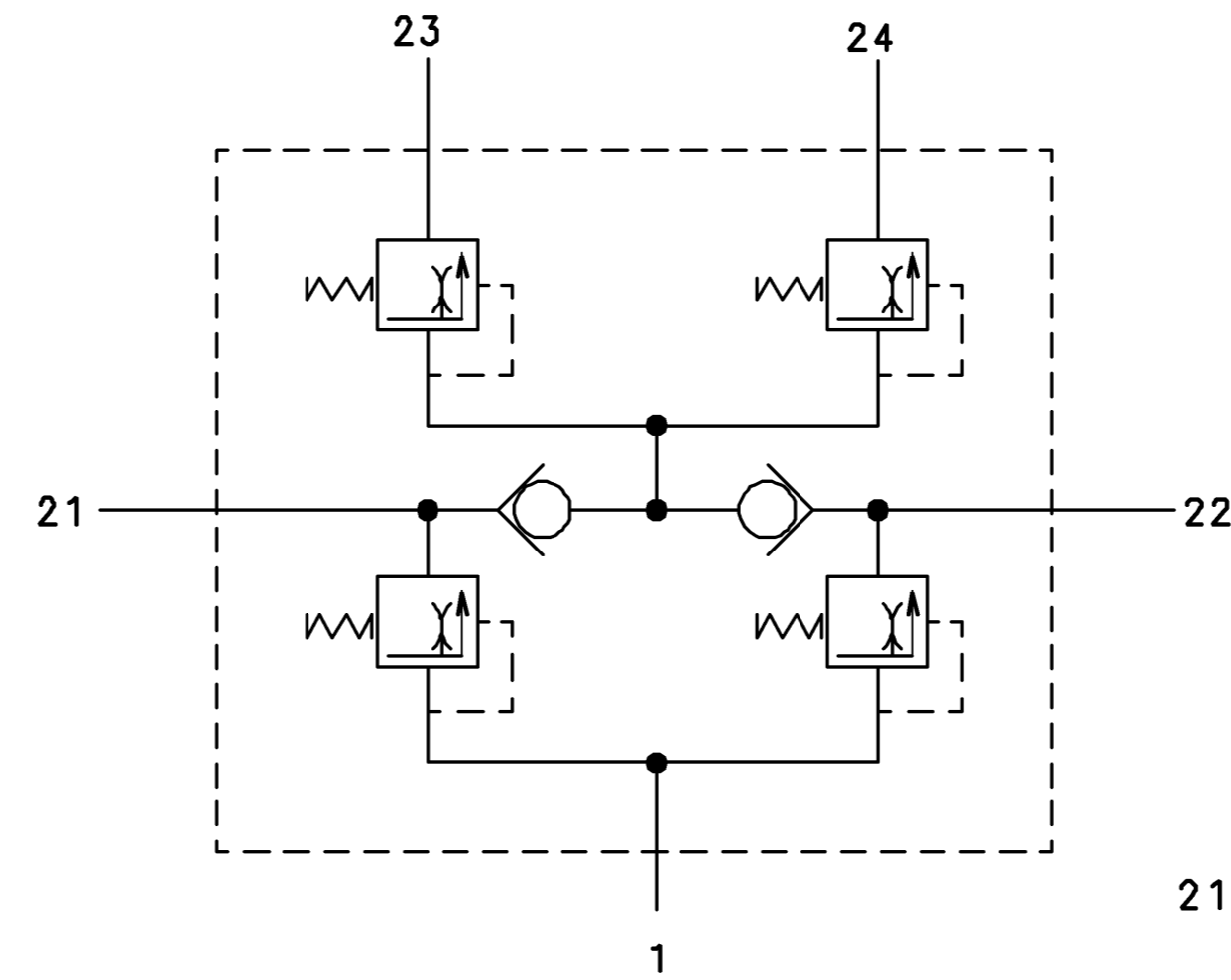
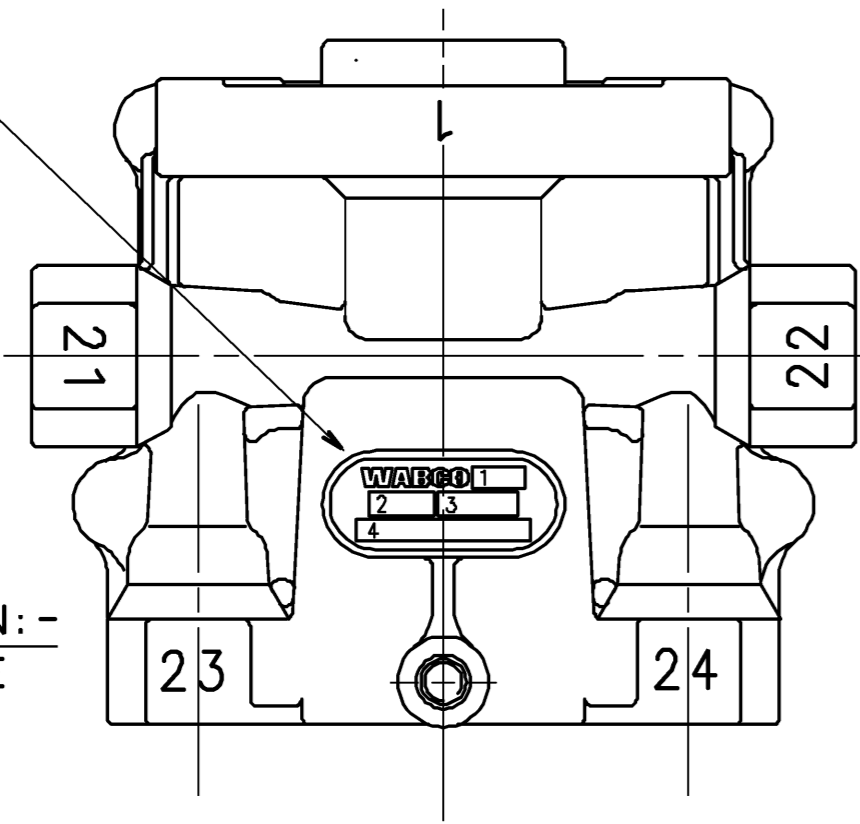


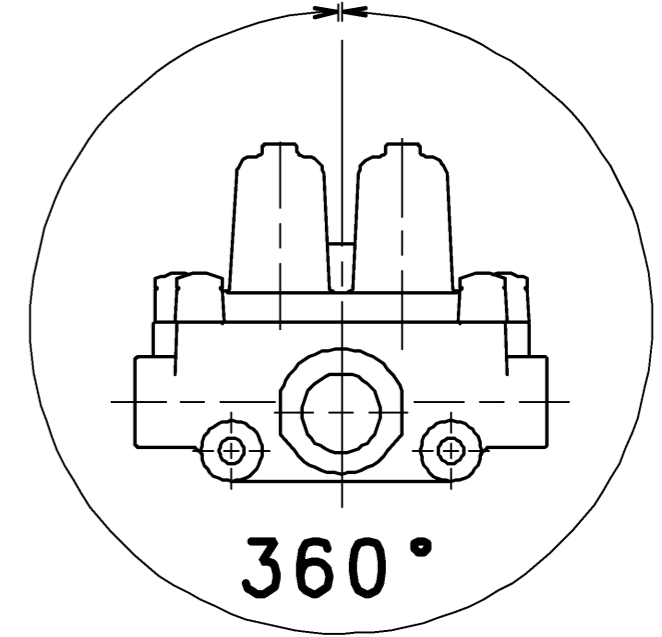
LABEL MARKED WITH :-  
 1.PRODUCTION PLANT  
 2.DATE OF MANUFACTURE  
 3.REVISION LEVEL  
 4.PART NUMBER  
 SCHILD MIT AUFSCHRIFT:-  
 1.FERTIGUNGSWERK  
 2.HERSTELLDATUM  
 3.ANDERUNGSSTAND  
 4.TEILE NR.  
 ETIQUETTE COMPORTANT :-  
 1.USINE DE PRODUCTION  
 2.DATE DE FABRICATION  
 3.NIVEAU DE REVISION  
 4.NO. DE PIECE  
 ETICHETTA CONTRASSEGNA CON:-  
 1.STABILIMENTO DI PRODUZIONE  
 2.DATA DI FABBRICAZIONE  
 3.LIVELLO DI REVISIONE  
 4.PARTICOLARE NO.



ADMISSIBLE TEMPERATURES.  
 THERMISCHER ANWENDUNGSBEREICH. -40°C TO +90°C  
 TEMPERATURE DE SERVICE  
 TEMPERATURA D'ESERCIZIO.

SERVICE PRESSURE. MEDIUM LUFT.  
 BETRIEBSDRUCK. MAX 13 bar. MILIEU AIR.  
 PRESSION DE SERVICE. FLUIDO ARIA.  
 PRESSIONE D'ESERCIZIO. FLUIDO ARIA.

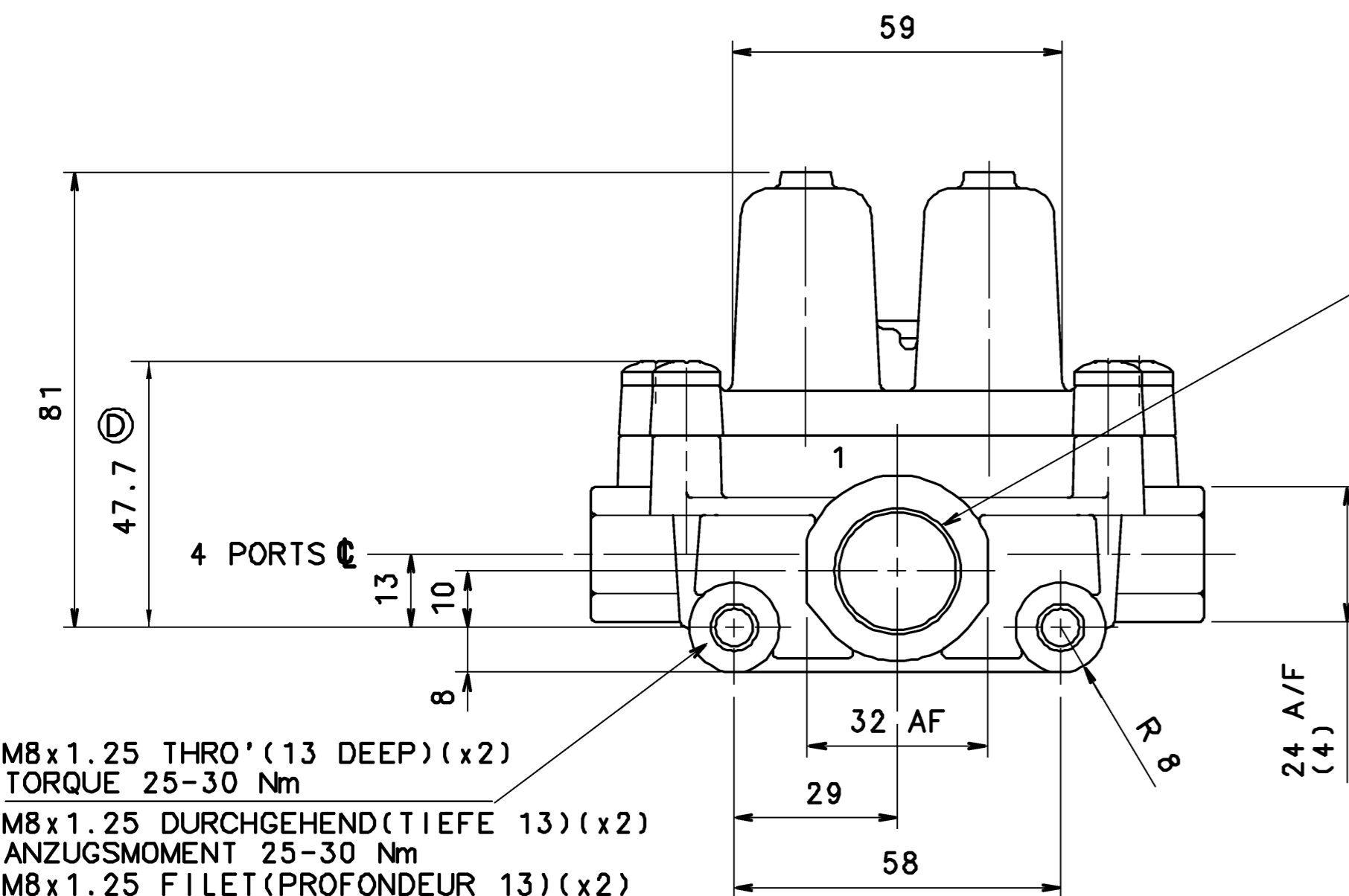
VALVE MAY BE MOUNTED AT ANY ANGLE  
 VENTIL KANN IN BELIEBIGER LAGE MONTIERT WERDEN  
 LA SOUPAPE PEUT ETRE INSTALLEE A N'IMPORTE QUEL ANGLE  
 VALVOLA MONTABILE A QUALSIASI ANGOLO



CONNECTIONS ANSCHLUESSE 1 - SUPPLY LUFTE INTRITT  
 ORIFICES ALIMENTATION ALIMENTAZIONE  
 ORIFIZI  
 21- CIRCUIT 1 KREIS 1  
 CIRCUIT 1 KREIS 2  
 CIRCUIT 1 CIRCUITO 1  
 22- CIRCUIT 2 KREIS 2  
 CIRCUIT 2 KREIS 2  
 CIRCUIT 2 CIRCUITO 2  
 23- CIRCUIT 3 KREIS 3  
 CIRCUIT 3 KREIS 4  
 CIRCUIT 3 CIRCUITO 3  
 CIRCUIT 3 CIRCUITO 4

\* MAINTAINED PRESSURE  
 GESICHERTER DRUCK  
 PRESSION MAINTENUE  
 PRESSIONE MANTENUTA

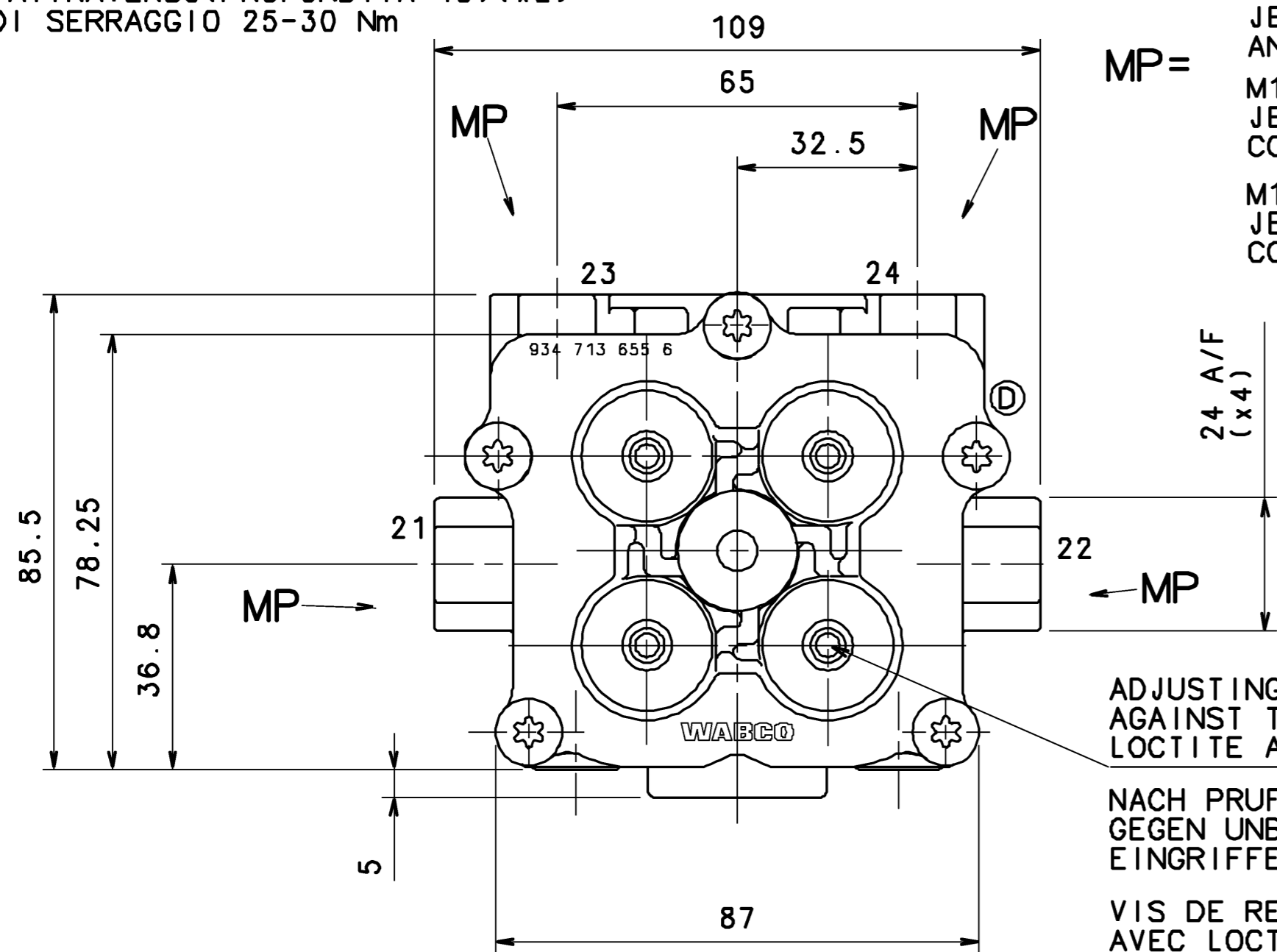
PORTS ORIFICES	ANSHLUESSE ATTACCHI	21	22	23	24
OPENING PRESSURE DYNAMIC * OEFFNUNGSDRUCK DYNAMISCH PRESSION DE OUVERTURE DYNAM PRESSIONE DI APERTURA DINAM	BAR	6.3 <sup>+0</sup> <sub>-0.3</sub>			5.8 <sup>+0</sup> <sub>-0.3</sub>



PORT 1  
 M22x1.5-6H x16 FULL THREAD  
 JED 152  
 TORQUE 55 Nm MAX.  
 ANSCHLUESSE 1  
 M22x1.5-6H x16 DURCHGEHENDES GEWINDE  
 JED 152  
 ANZUGSMOMENT 55 Nm MAX.  
 ORIFICES 1  
 M22x1.5-6H x16 FILET COMPLET  
 JED 152  
 COUPLE DE SERRAGE 55 Nm MAX.  
 ORIFIZI 1  
 M22x1.5-6H x16 FILETTATURA COMPLETA  
 JED 152  
 COPPIA DI SERRAGGIO 55 Nm MAX.

M8x1.25 THRO' (13 DEEP) (x2)  
 TORQUE 25-30 Nm  
 M8x1.25 DURCHGEHEND (TIEFE 13) (x2)  
 ANZUGSMOMENT 25-30 Nm  
 M8x1.25 FILET (PROFONDEUR 13) (x2)  
 COUPLE DE SERRAGE 25-30 Nm  
 M8x1.25 ATTRAVERSO (PROFONDITA 13) (x2)  
 COPPIA DI SERRAGGIO 25-30 Nm

M16x1.5-6H x13 FULL THREAD  
 JED 152  
 TORQUE 35 Nm MAX.  
 M16x1.5-6H x13 DURCHGEHENDES GEWINDE  
 JED 152  
 ANZUGSMOMENT 35 Nm MAX.  
 M16x1.5-6H x13 FILET COMPLET  
 JED 152  
 COUPLE DE SERRAGE 35 Nm MAX.  
 M16x1.5-6H x13 FILETTATURA COMPLETA  
 JED 152  
 COPPIA DI SERRAGGIO 35 Nm MAX.



MP=  
 ADJUSTING SCREWS SECURED AGAINST TAMPERING WITH LOCTITE AFTER TEST.  
 NACH PRUFUNG MIT LOCTITE GEGEN UNBEFUGTE EINGRIFFE GESICHERT  
 VIS DE REGLAGE FIXEES AVEC LOCTITE PAR SECURITE APRES ESSAI  
 VITI DI REGOLAZIONE FISSATE CONTRO MANOMISSIONE CON LOCTITE DOPO LE PROVE

CORROSION PROTECTION:-  
 ALUMINIUM PARTS CHROMATED TO JED-259  
 SCREWS MECHANICALLY ZINC PLATED AND PASSIVATED (JED-256-4)

KORROSIONSSCHUTZ  
 ALUMINIUMTEILE CHROMIERT GEMASS JED-259  
 SCHRAUBEN MECHANISCH VERZINKT UND PASSIVIERT (JED-256-4)

PROTECTION ANTICORROSIVE  
 PIECES ALUMINIUM CHROMEES POUR JED-259  
 VIS MECANIQUEMENT ZINGUEES ET PASSIVEES (JED-256-4)

PROTEZIONE ANTICORROSIONE  
 PEZZI IN ALUMINIO CROMATI PER JED-259  
 VITI MECCANICAMENTE ZINCATE E PASSIVATE (JED-256-4)

DRAWING PRODUCED ON CADAM  
 MANUAL CHANGES PROHIBITED

DIMENSIONS IN MILLIMETRES

General Specification: JED-354-0		Copyright WABCO		<b>WABCO</b>	
Further Technical Data:		Date	20.04.2009	Drawn	CHAMOT
Doc. Code:	Sheet: 1 to 1	Checked		Checked	
General Tolerances (JED-251)		20.04.2009		MACH	
Range of Nominal Dimensions (± mm)		EJMI1		MACH	
Class	1) < 50	> 50 < 180	> 180 < 400	> 400	
Fine	0.5	1.0	1.5	2.0	
Medium	1.0	2.0	3.0	4.0	±3*
Coarse	2.0	3.5	5.0	6.5	
Tapped Holes acc.		A 1		CCD	
1) Tolerance Class Applied Crossmarked		EJMI1		121685	
		3D		510	
		100mm			

Date of first issue: 13.10.97		Doc. Code		Language		Sheet	
934 714 027 0		005		ML		1/1	
EJMI1		MACH		EJMI1		MACH	
1:1		1:1		1:1		1:1	
121685		3D		510			