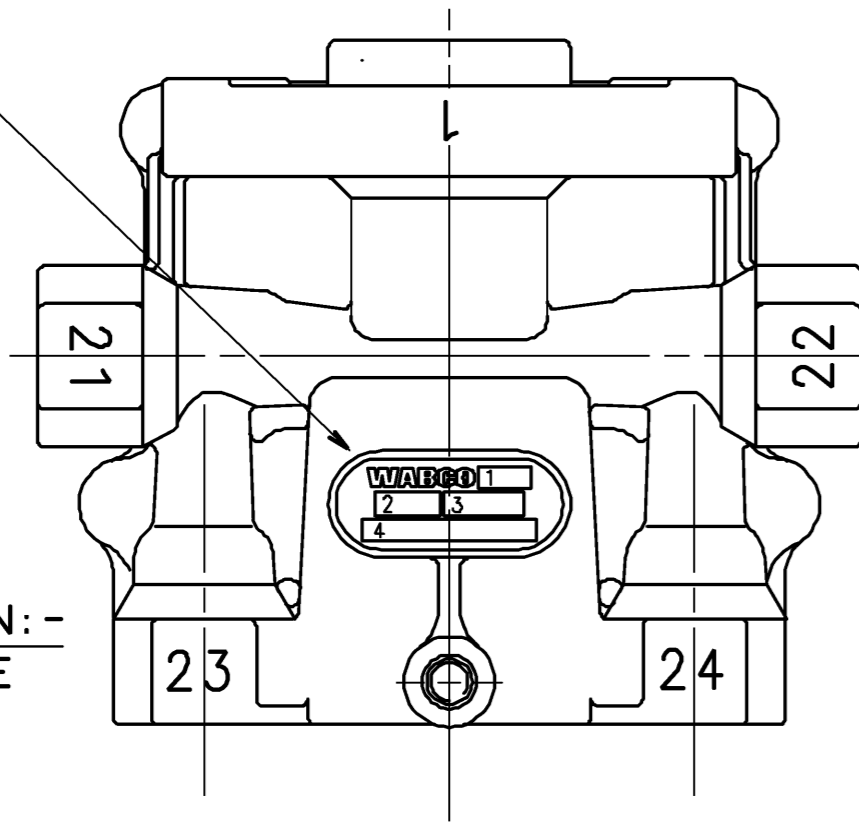


**LABEL MARKED WITH :-**  
 1.PRODUCTION PLANT  
 2.DATE OF MANUFACTURE  
 3.REVISION LEVEL  
 4.PART NUMBER

**SCHILD MIT AUFSCHRIFT:-**  
 1.FERTIGUNGSWERK  
 2.HERSTELLDATUM  
 3.ANDERUNGSSTAND  
 4.TEILE NR.

**ETIQUETTE COMPORTANT:-**  
 1.USINE DE PRODUCTION  
 2.DATE DE FABRICATION  
 3.NIVEAU DE REVISION  
 4.NO. DE PIECE

**ETICHETTA CONTRASSEGATA CON:-**  
 1.STABILIMENTO DI PRODUZIONE  
 2.DATA DI FABBRICAZIONE  
 3.LIVELLO DI REVISIONE  
 4.PARTICOLARE NO.

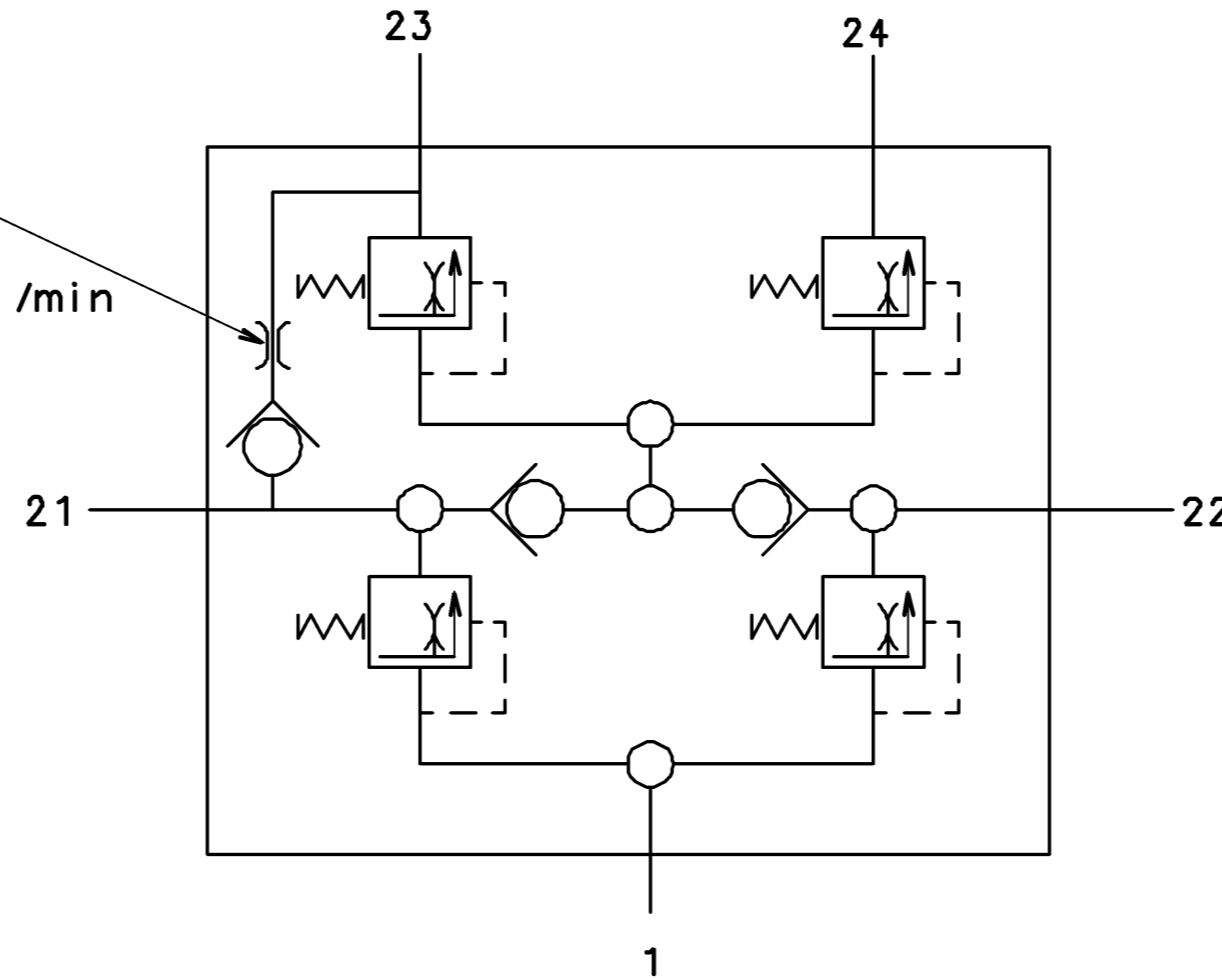


$\varnothing 0.8 \begin{smallmatrix} +0.0 \\ -0.5 \end{smallmatrix}$   
 FLOW RATE = 16-35 l/min  
 AT  $P_{23}=8, P_{21}=0$  bar

$\varnothing 0.8 \begin{smallmatrix} +0.0 \\ -0.5 \end{smallmatrix}$   
 DURCHFLUSSMENGE = 16-35 l/min  
 BEI  $P_{23}=8, P_{21}=0$  bar

$\varnothing 0.8 \begin{smallmatrix} +0.0 \\ -0.5 \end{smallmatrix}$   
 DEBIT = 16-35 l/min  
 SOUS  $P_{23}=8, P_{21}=0$  bar

$\varnothing 0.8 \begin{smallmatrix} +0.0 \\ -0.5 \end{smallmatrix}$   
 PORTATA = 16-35 l/min  
 PER  $P_{23}=8, P_{21}=0$  bar



CONNECTIONS  
 ANSCHLUESSE  
 ORIFICES  
 ORIFIZI

SUPPLY  
 LUFTEINTRITT  
 ALIMENTATION  
 ALIMENTAZIONE

21- CIRCUIT 1  
 KREIS 1  
 CIRCUIT 1  
 CIRCUITO 1

22- CIRCUIT 2  
 KREIS 2  
 CIRCUIT 2  
 CIRCUITO 2

23- CIRCUIT 3  
 KREIS 3  
 CIRCUIT 3  
 CIRCUITO 3

24- CIRCUIT 4  
 KREIS 4  
 CIRCUIT 4  
 CIRCUITO 4

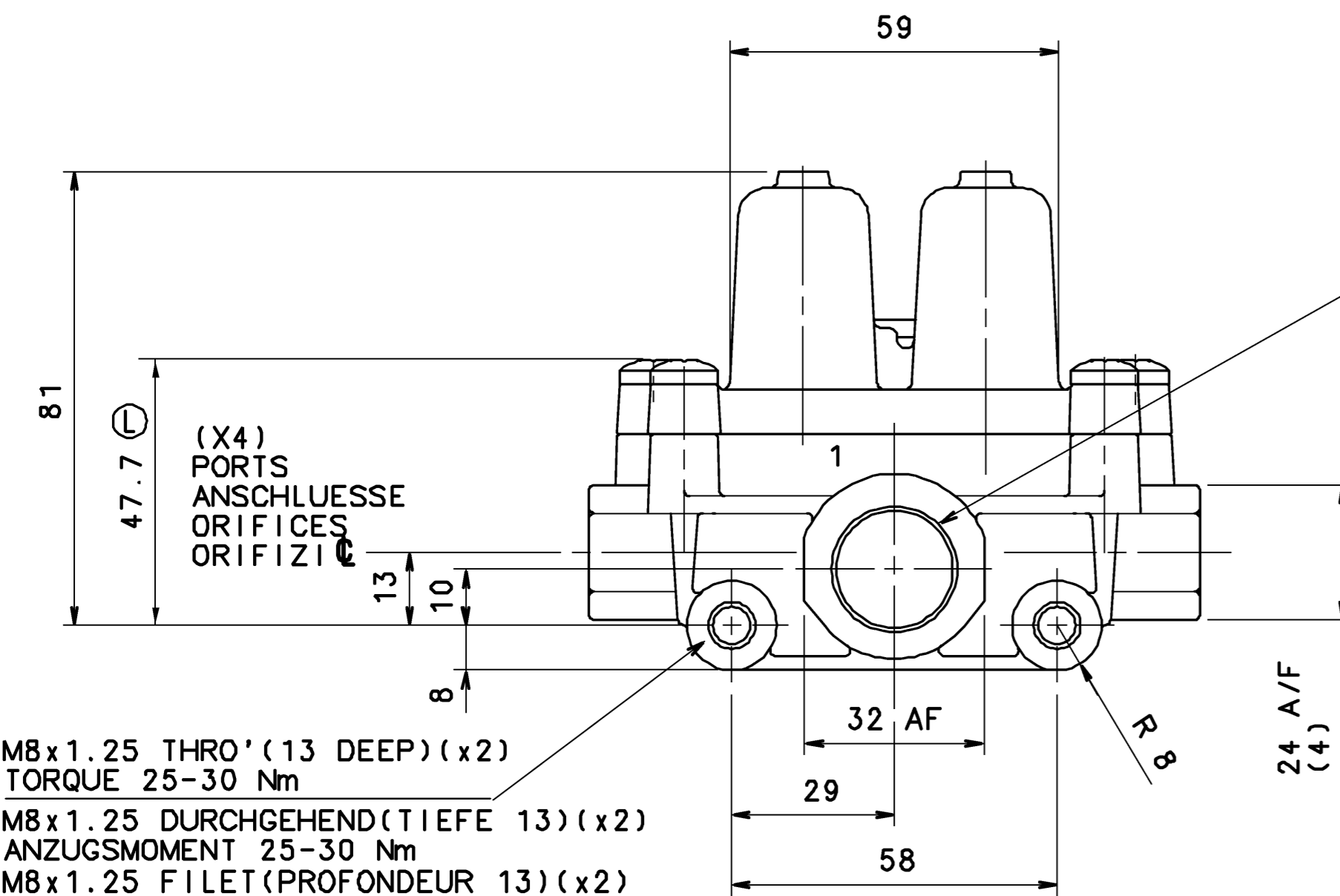
**CORROSION PROTECTION:-**

ALUMINIUM PARTS CHROMATED  
 TO JED-259  
 SCREWS MECHANICALLY ZINC PLATED  
 AND PASSIVATED  
 (JED-256-4)

KORROSIONSSCHUTZ  
 ALUMINIUMTEILE CHROMIERT  
 GEMASS JED-259  
 SCHRAUBEN MECHANISCH VERZINKT  
 UND PASSIVIERT  
 (JED-256-4)

PROTECTION ANTICORROSIVE  
 PIECES ALUMINIUM CHROMEES  
 POUR JED-259  
 VIS MECANIQUEMENT ZINGUEES  
 ET PASSIVEES  
 (JED-256-4)

PROTEZIONE ANTICORROSIONE  
 PEZZI IN ALUMINIO CROMATI  
 PER JED-259  
 VITI MECCANICAMENTE ZINCATE  
 E PASSIVATE  
 (JED-256-4)

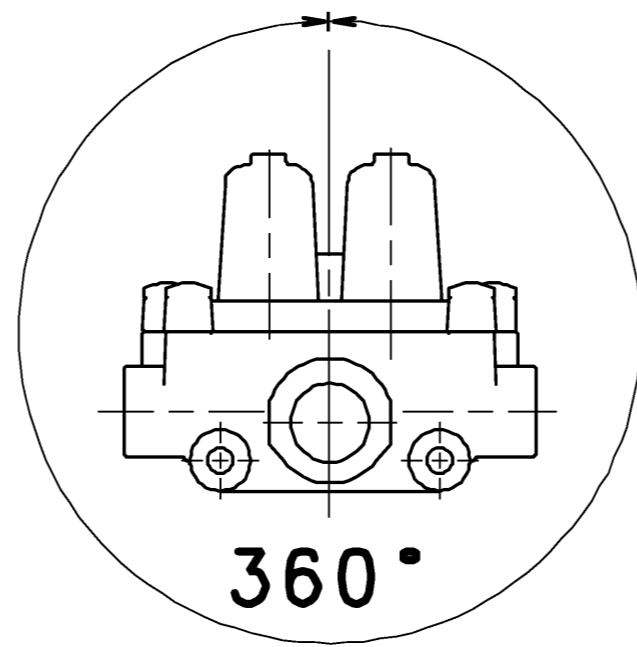


PORT 1  
 M22x1.5-6H x16 FULL THREAD  
 JED 152  
 TORQUE 55 Nm MAX.

ANSCHLUESSE 1  
 M22x1.5-6H x16 DURCHGEHENDES GEWINDE  
 JED 152  
 ANZUGSMOMENT 55 Nm MAX.

ORIFICES 1  
 M22x1.5-6H x16 FILET COMPLET  
 JED 152  
 COUPLE DE SERRAGE 55 Nm MAX.

ORIFIZI 1  
 M22x1.5-6H x16 FILETTATURA COMPLETA  
 JED 152  
 COPPIA DI SERRAGGIO 55 Nm MAX.



PERMISSIBLE INSTALLATION ANGLE  
 EINBAUWINKEL  
 ANGLE D'INSTALLATION  
 ANGOLO DI MONTAGGIO

ADMISSIBLE TEMPERATURES.  
 THERMISCHER ANWENDUNGSBEREICH.  
 TEMPERATURE DE SERVICE  
 TEMPERATURA D'ESERCIZIO.

-40°C TO +90°C

SERVICE PRESSURE.  
 BETRIEBSDRUCK.  
 PRESSION DE SERVICE  
 PRESSIONE D'ESERCIZIO.

MAX 13 bar.

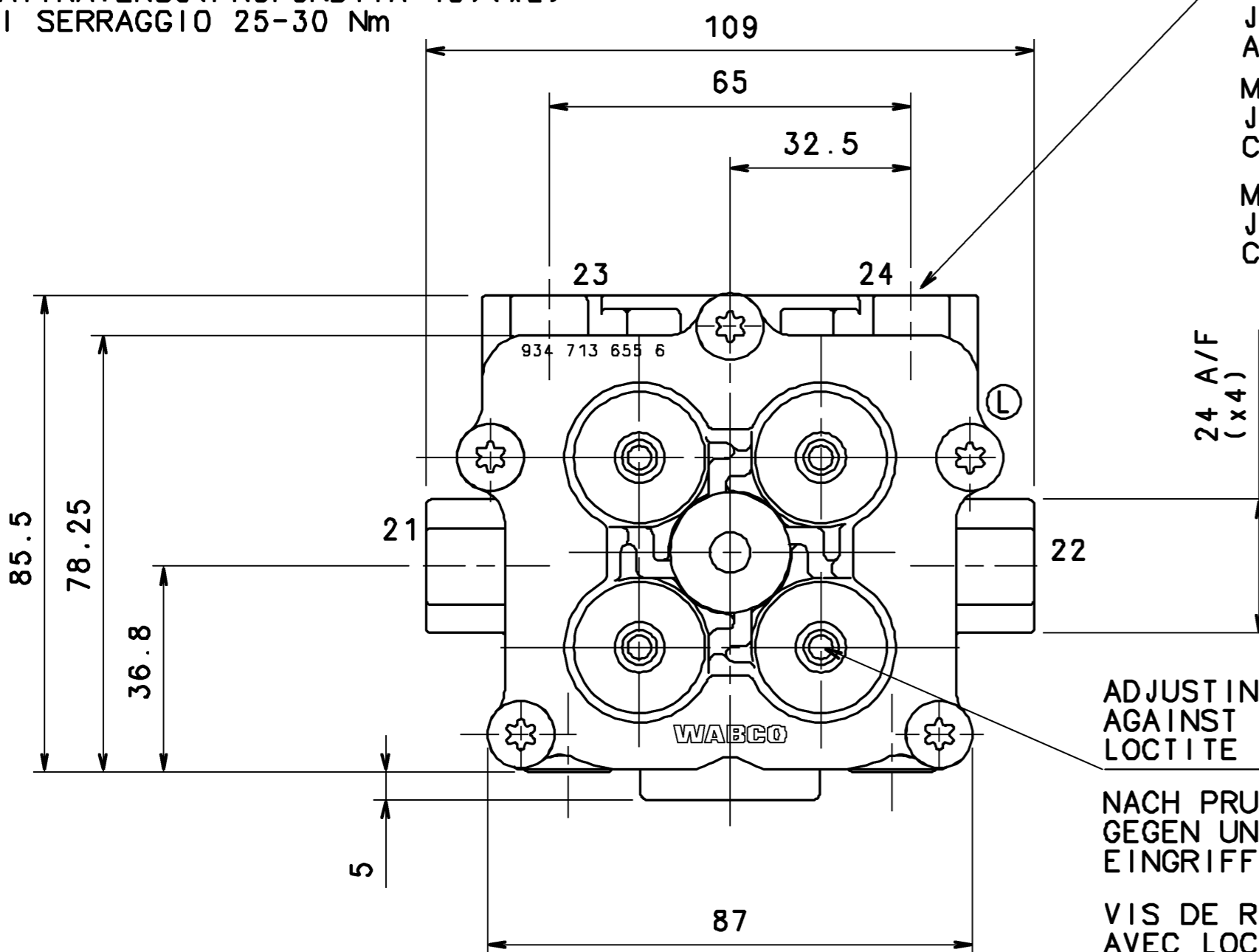
MEDIUM MILIEU FLUIDO  
 LUFT AIR ARIA  
 FLUIDO FLUIDO ARIA.

M8x1.25 THRO' (13 DEEP) (x2)  
 TORQUE 25-30 Nm

M8x1.25 DURCHGEHEND (TIEFE 13) (x2)  
 ANZUGSMOMENT 25-30 Nm

M8x1.25 FILET (PROFONDEUR 13) (x2)  
 COUPLE DE SERRAGE 25-30 Nm

M8x1.25 ATTRAVERSO (PROFONDITA 13) (x2)  
 COPPIA DI SERRAGGIO 25-30 Nm



M16x1.5-6H x13 FULL THREAD  
 JED 152  
 TORQUE 35 Nm MAX.

M16x1.5-6H x13 DURCHGEHENDES GEWINDE  
 JED 152  
 ANZUGSMOMENT 35 Nm MAX.

M16x1.5-6H x13 FILET COMPLET  
 JED 152  
 COUPLE DE SERRAGE 35 Nm MAX.

M16x1.5-6H x13 FILETTATURA COMPLETA  
 JED 152  
 COPPIA DI SERRAGGIO 35 Nm MAX.

\* $P_{2:3}$  WILL BLEED DOWN TO  $P_{2:1}$   
 \*\* $P_{2:4}$  WILL BLEED DOWN TO  $6.5 \begin{smallmatrix} +1 \\ -0 \end{smallmatrix}$  bar  
 (VIA 2:3)

BLEED FLOW RATE -  
 DURCHFLUSSMENGE  
 DEBIT  
 PORTATA

Max = 35 l/min AT  $P_{23} = 8, P_{21} = 0$  bar  
 Min = 0 AT  $P_{23} = P_{21}$

ADJUSTING SCREWS SECURED  
 AGAINST TAMPERING WITH  
 LOCTITE AFTER TEST.

NACH PRUFUNG MIT LOCTITE  
 GEGEN UNBEFUGTE  
 EINGRIFFE GESICHERT

VIS DE REGLAGE FIXEES  
 AVEC LOCTITE PAR  
 SECURITE APRES ESSAI

VITI DI REGOLAZIONE  
 FISSATE CONTRO  
 MANOMISSIONE CON LOCTITE  
 DOPO LE PROVE

DRAWING PRODUCED ON CADAM  
 MANUAL CHANGES PROHIBITED

DIMENSIONS IN MILLIMETRES

PORTS ORIFICES	ANSCHLUESSE ATTACCHI	21	22	23	24
OPENING PRESSURE (STATIC) OEFFNUNGSDRUCK (STATISCH) PRESSION DE OUVERTURE (STATIQUE) PRESSIONE DI APERTURA (STATICA)	$P^1$ BAR	$\leq 7.5$		$P^x \begin{smallmatrix} +0.5 \\ +0.2 \end{smallmatrix}$ $P^x = \text{GREATER OF}$ $21^{P^1}$ OR $22^{P^1}$	
RECHARGING PRESSURE WIEDERAUFFULLDRUCK PRESSION DE RECHARGEMENT PRESSIONE DI RICARICA	BAR	$\geq 1$	0	$\geq 1$	$\geq 1$
CLOSING PRESSURE STATIC AT FAILURE OF CIRCUIT .... SCHLISSDRUCK STATISCH BEI AUSFALL VON KREIS .... PRESSION DE FERMETURE STATIQUE EN CAS DE DEFAILLANCE DU CIRCUIT .... PRESSIONE DI CHIUSURA STATICA IN CASO DI DIFETTO DEL CIRCUITO ....	BAR	0	$6.5 \begin{smallmatrix} +0.7 \\ -0 \end{smallmatrix}$	$\geq 1$ *	$\geq 1$ **
		$6.5 \begin{smallmatrix} +0.7 \\ -0 \end{smallmatrix}$	0	$\geq 1$ *	$\geq 1$ **
		$6.5 \begin{smallmatrix} +0.7 \\ -0 \end{smallmatrix}$	$6.5 \begin{smallmatrix} +1 \\ -0 \end{smallmatrix}$	0	0

General Specification: JED-334-0		Copyright WABCO		<b>WABCO</b>	
Further Technical Data:		Date: 20.04.2009	Origin: CHAMOT	QUADRUPLE CIRCUIT PROTECTION VALVE. VIERKREIS - SCHUTZVENTIL VALVE DE PROTECTION LA 4 CIRCUITS VALVOLA DI PROTEZIONE LA 4 CIRCUITI.	
Doc. Code:	Sheet: 10	Checked: 20.04.2009		MACH	
General Tolerances (JED-351)		Class 1)		MACH	
Range of Nominal Dimensions (± mm)		Class 1)		MACH	
Class 1)	< 50	> 50 < 180	> 180 < 400	> 400	<
Fine	0.5	1.0	1.5	2.0	
Medium	1.0	2.0	3.0	4.0	±3*
Course	2.0	3.5	5.0	6.5	
Tapped Holes acc.		A 1		CCD	
1) Tolerance Class Applied Crossmarked		ECN-No: 121685	Revision: 3L	Techn. Resp.: 510	Replacement for:
Material No.		934 714 119 0		Date of first issue: 21.07.94	
Scale		1:1		Dec. Code Language Sheet	
Size		A 1		005 ML 1/1	