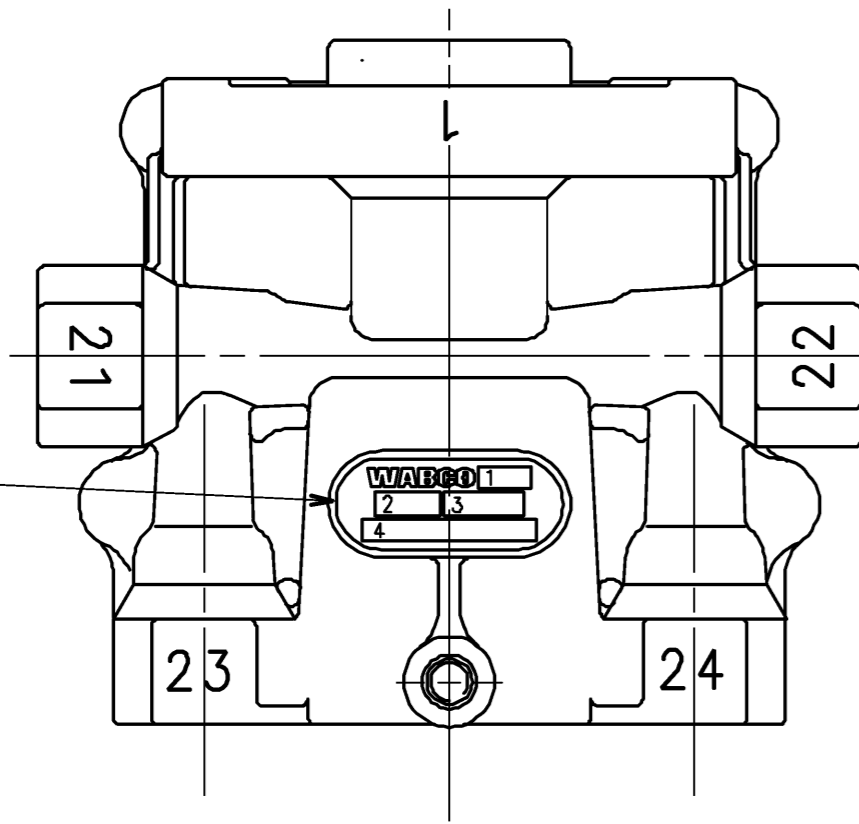
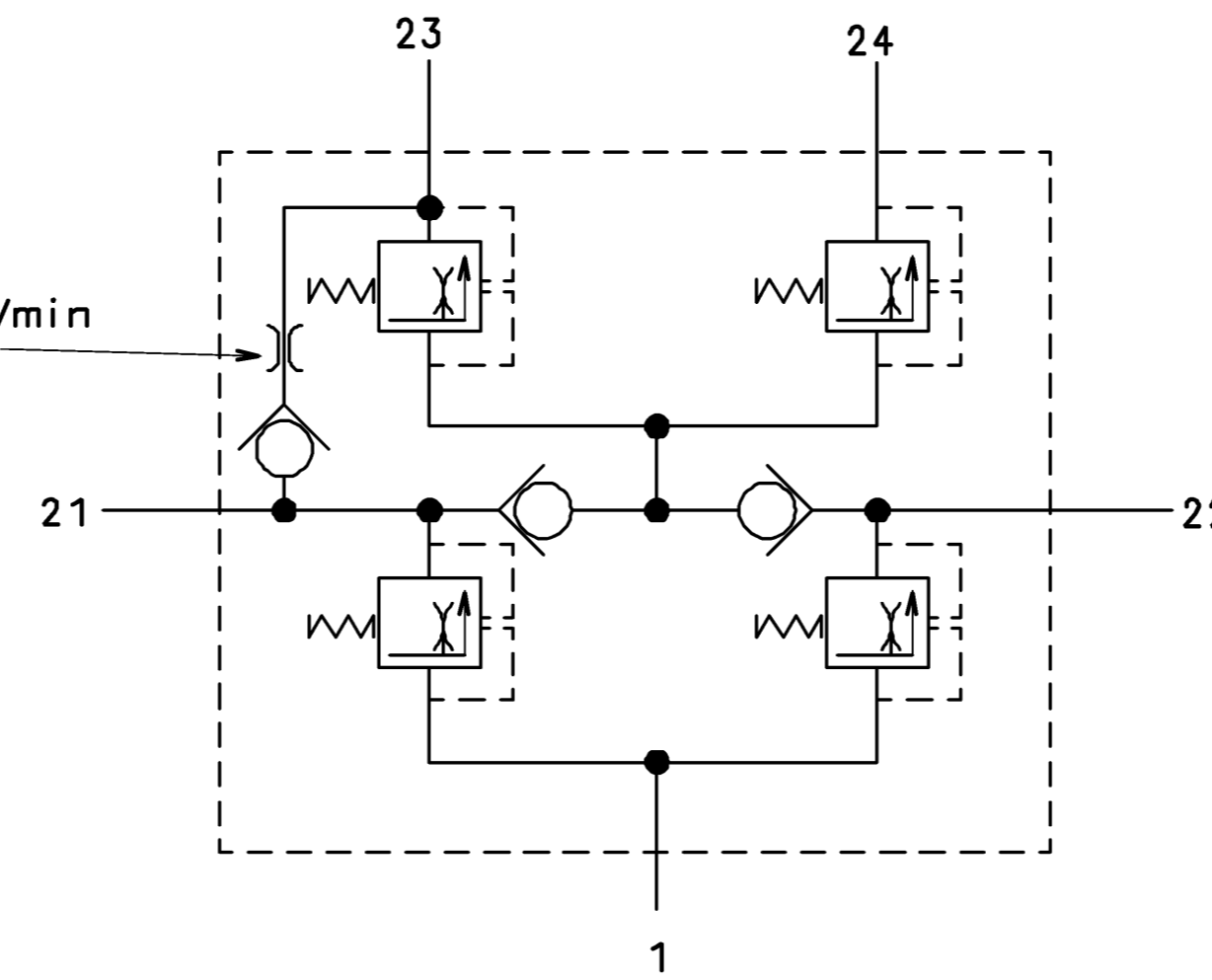


LABEL MARKED WITH :

1. PRODUCTION PLANT
2. DATE OF MANUFACTURE
3. REVISION LEVEL
4. PART NUMBER



$\varnothing 0.8^{+0}_{-0.5}$
MAX FLOW=35 l/min
AT p=8 bar



CONNECTIONS
ANSCHLUESSE
ORIFICES
ORIFIZI

SUPPLY
LUFTEINTRITT
ALIMENTATION
ALIMENTAZIONE

21- CIRCUIT 1
KREIS 1
CIRCUIT 1
CIRCUITO 1

22- CIRCUIT 2
KREIS 2
CIRCUIT 2
CIRCUITO 2

23- CIRCUIT 3
KREIS 3
CIRCUIT 3
CIRCUITO 3

24- CIRCUIT 4
KREIS 4
CIRCUIT 4
CIRCUITO 4

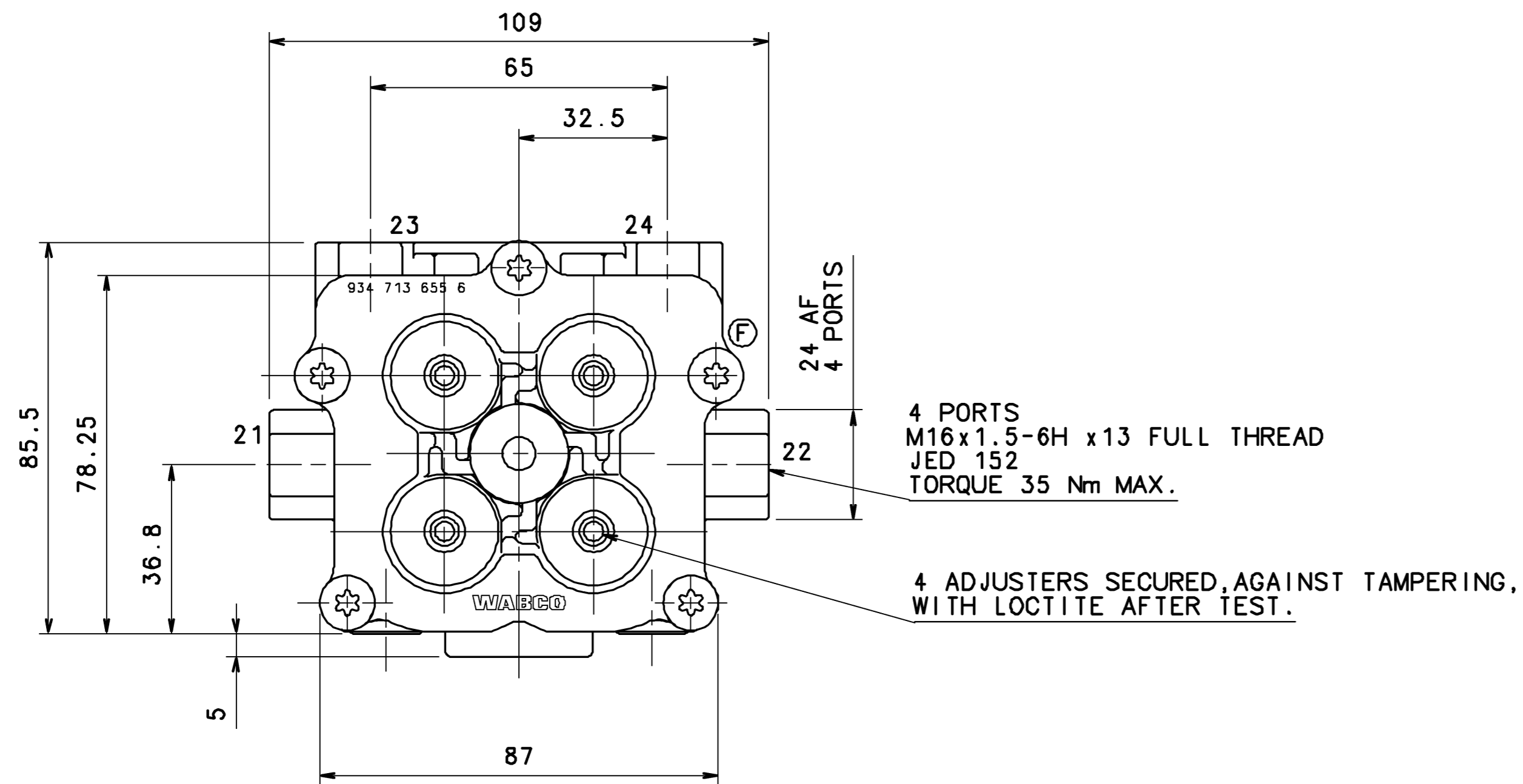
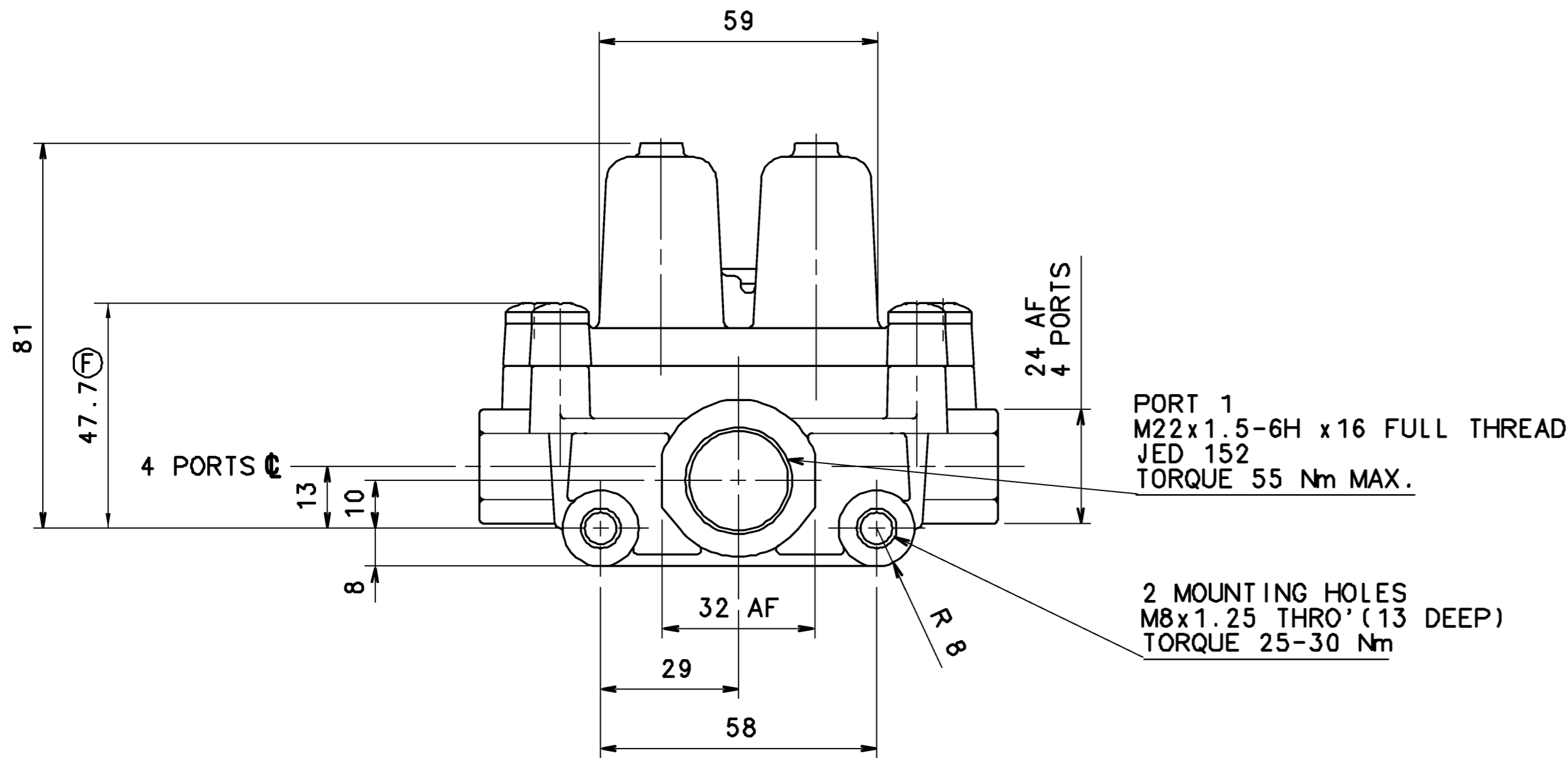
ADMISSIBLE TEMPERATURES.
THERMISCHER ANWENDUNGSBEREICH.
TEMPERATURE DE SERVICE
TEMPERATURA D'ESERCIZIO.

-40°C TO +90°C

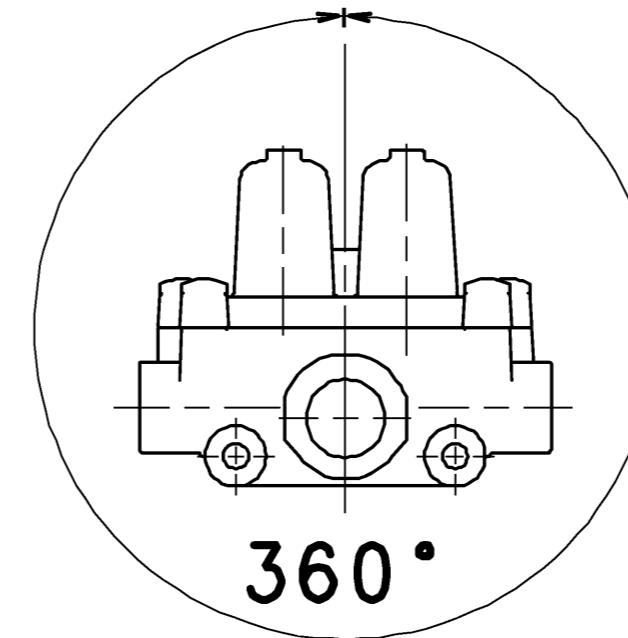
SERVICE PRESSURE.
BETRIEBSDRUCK.
PRESSION DE SERVICE.
PRESSIONE D'ESERCIZIO.

MAX 13 bar.

MEDIUM AIR
MEDIUM LUFT.
MILIEU AIR.
FLUIDO ARIA.



PORTS ORIFICES	ANSHLUESSE ATTACCHI	21	22	23	24
OPENING PRESSURE (DYNAMIC) OEFFNUNGSDRUCK (DYNAMISCH) PRESSION DE OUVERTURE (DYNAM) PRESSIONE DI APERTURA (DINAM)	p1 BAR	6.9 ⁺⁰ _{-0.3}		7.2 ⁺⁰ _{-0.3}	
OPENING PRESSURE (STATIC) OEFFNUNGSDRUCK (STATISCH) PRESSION DE OUVERTURE (STATIQUE) PRESSIONE DI APERTURA (STATICA)	BAR	6.5 ⁺⁰ _{-0.3}			



VALVE MAY BE MOUNTED AT ANY ANGLE
BUT TOWERS UPPERMOST PREFERRED

CORROSION PROTECTION: - (F)
ALUMINIUM PARTS CHROMATED
TO JED-259
SCREWS MECHANICALLY ZINC PLATED
AND PASSIVATED
(JED-256-4)

DRAWING PRODUCED ON CADAM
MANUAL CHANGES PROHIBITED

DIMENSIONS IN MILLIMETRES

General Specification: JED-334-0		Copyright WABCO		WABCO	
Further Technical Data:		Date	20.04.2009	Drawn	CHAMOT
Doc. Code:	Sheet: 1	Checked			
General Tolerances (ED-151)		20.04.2009 MACH			
Range of Nominal Dimensions (± mm)		MACH			
Class	1) < 50	> 50 < 180	> 180 < 400	> 400	±3*
Fine	0.5	1.0	1.5	2.0	
Medium	1.0	2.0	3.0	4.0	
Coarse	2.0	3.5	5.0	6.5	
Tapped Holes acc.		MACH			
1) Tolerance Class Applied Crossmarked		MACH			
Mass	Scale	Material No.		Date of first issue: 15.10.97	
1.1	kg	934 714 123 0		005	ML 1/1
Size	CAD System	Ech-No.		Tech. Resp.	
A 1	CCD	121685		3F	510
		100mm		Replacement for	