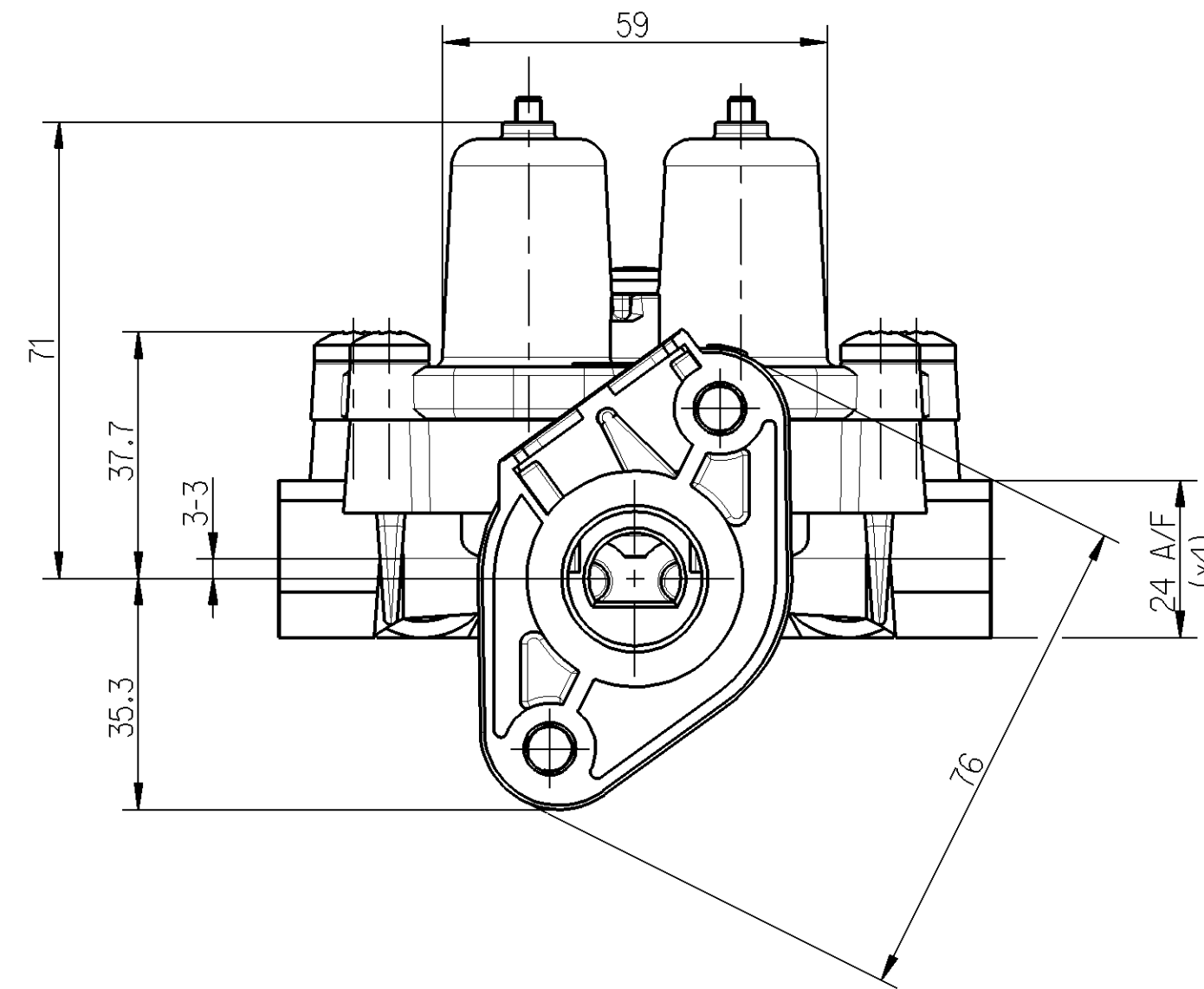
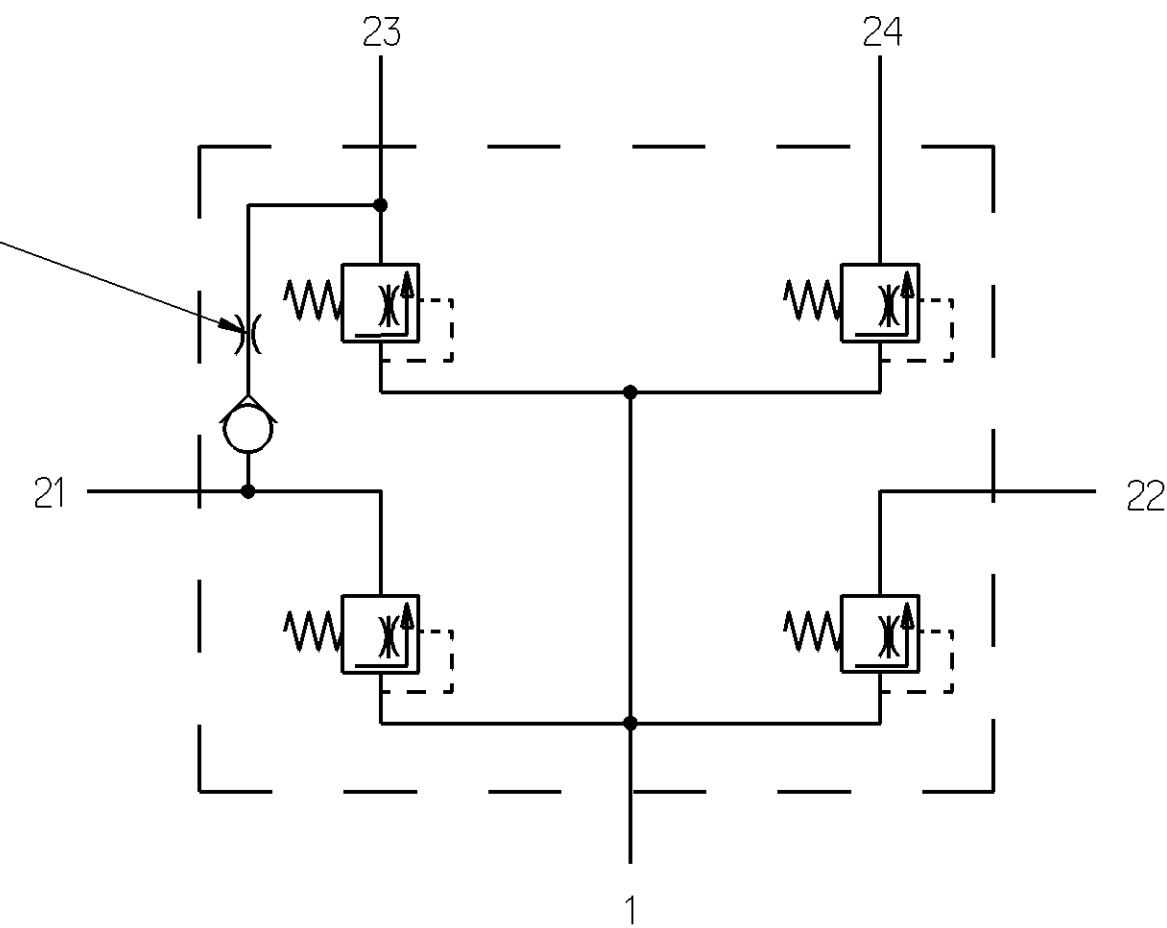
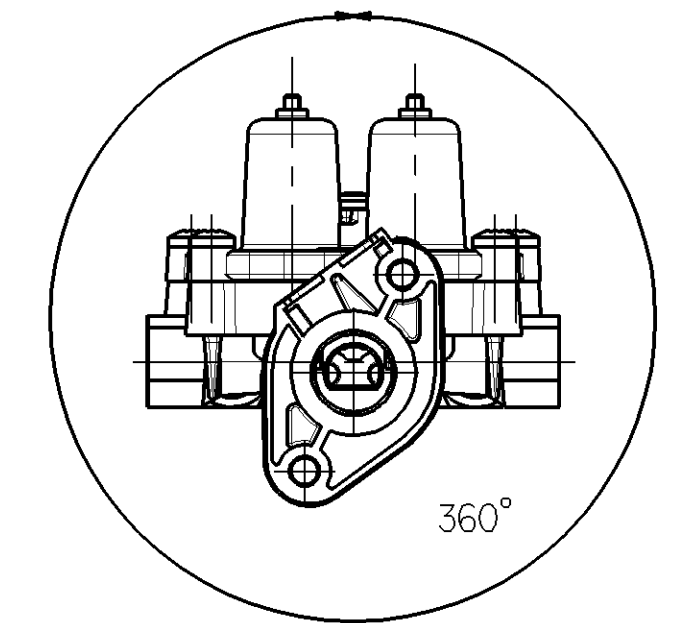


- # FLOW RATE = 16-35 l/min
AT P23 = 8, P21 = 0 bar
WHEN P21 DROPS TO ZERO
RETAINED P23 = 1bar MAX
- # DURCHFLOßSMENGE = 16-35 l/min
BEI P23 = 8, P21 = 0 bar
WENN P21 AUF NULL ABFALLT
GESICHERTER DRUCK P23 = 1bar MAX
- # DEBIT = 16-35 l/min
SCUS P23 = 8, P21 = 0 bar
SI P21 TOMBE A ZERO
LA PRESSION MAINTENUE A P23 = 1bar MAX
- # PORTATA = 16-35 l/min
PER P23 = 8, P21 = 0 bar
SE P21 CALC A ZERO
LA PRESSIONE MANTENUTA A P23 = 1bar MAX



SCALE
MASSTAB
ECHELLE
SCALA 1:2



CORROSION PROTECTION
ALUMINIUM PARTS CHROMATED TO JED-259
SCREWS MECHANICALLY ZINC PLATED TO JED-256-1

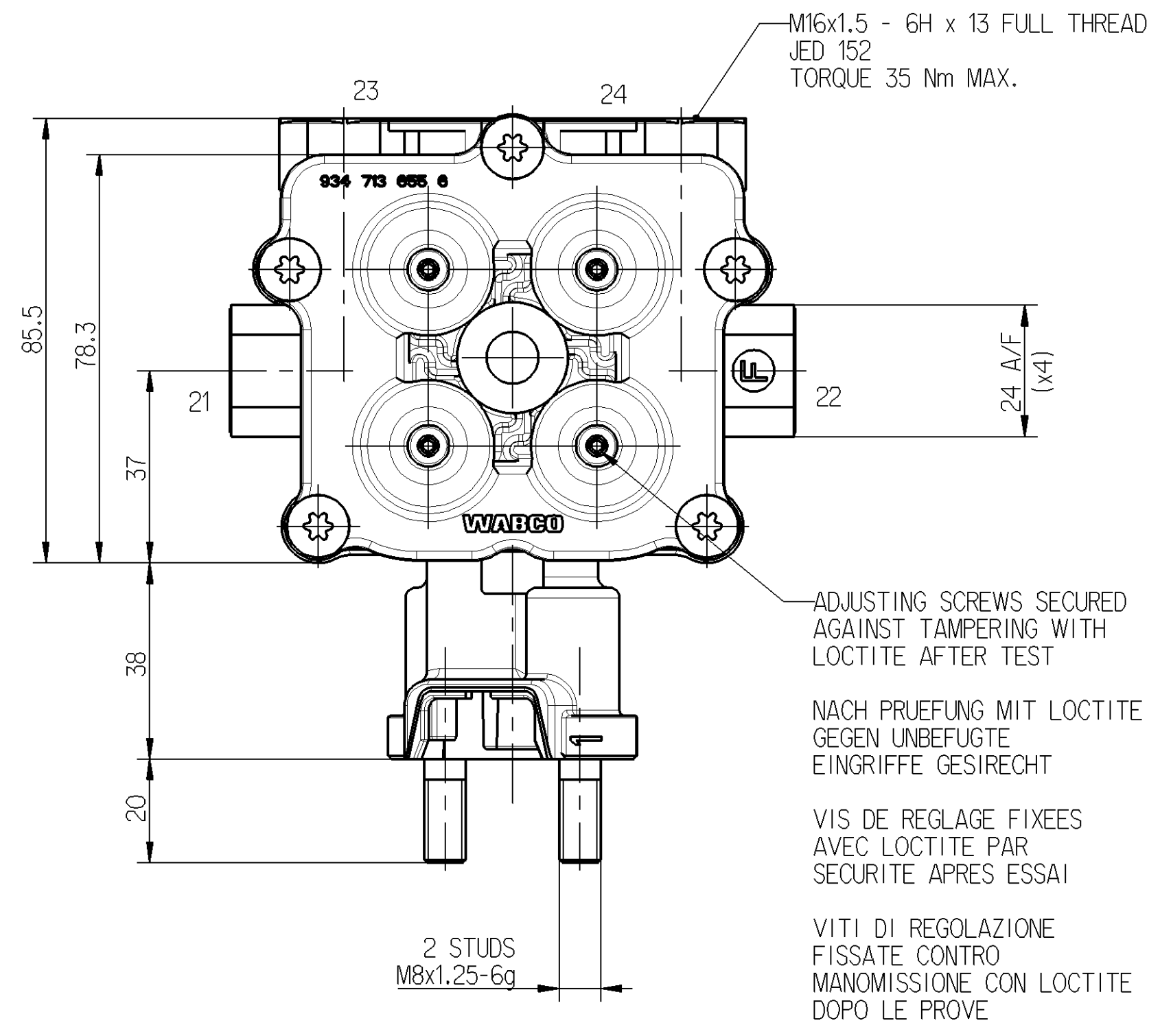
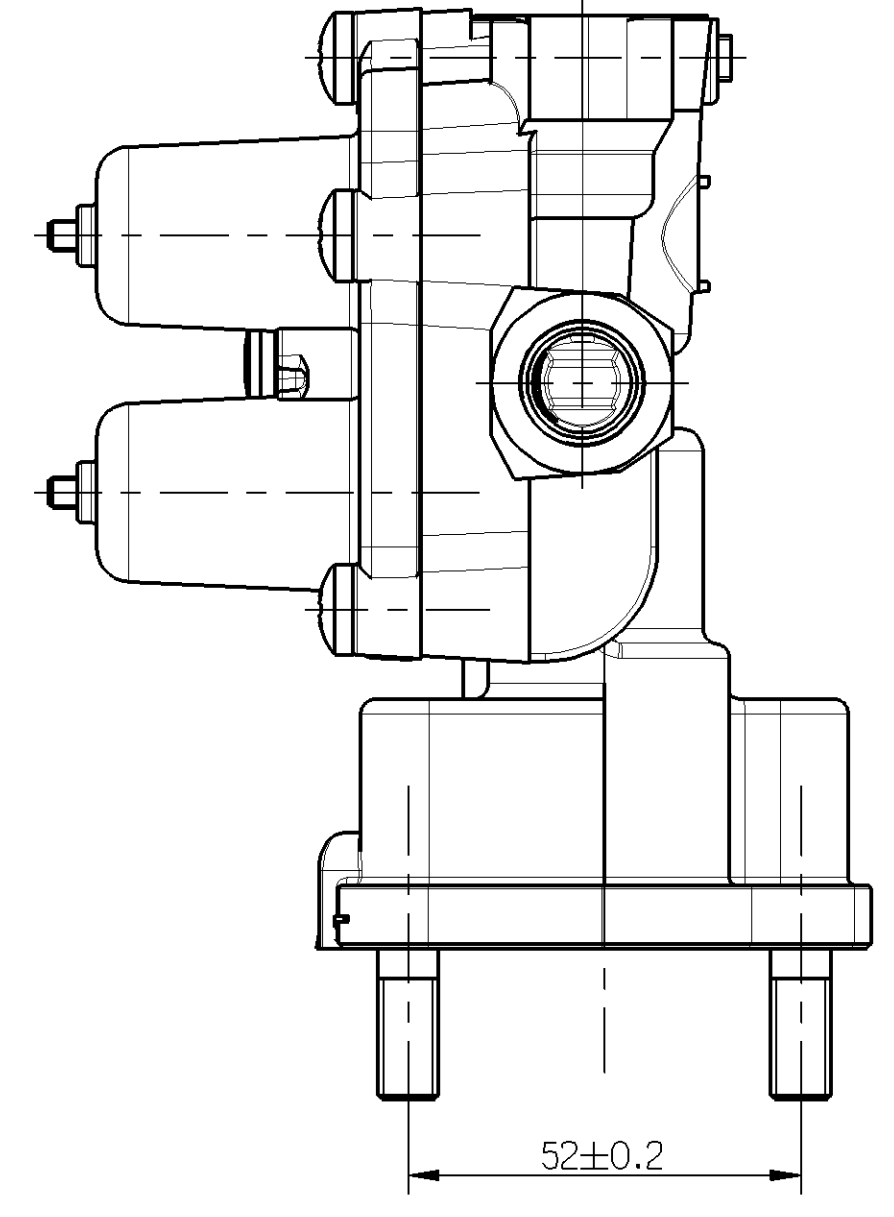
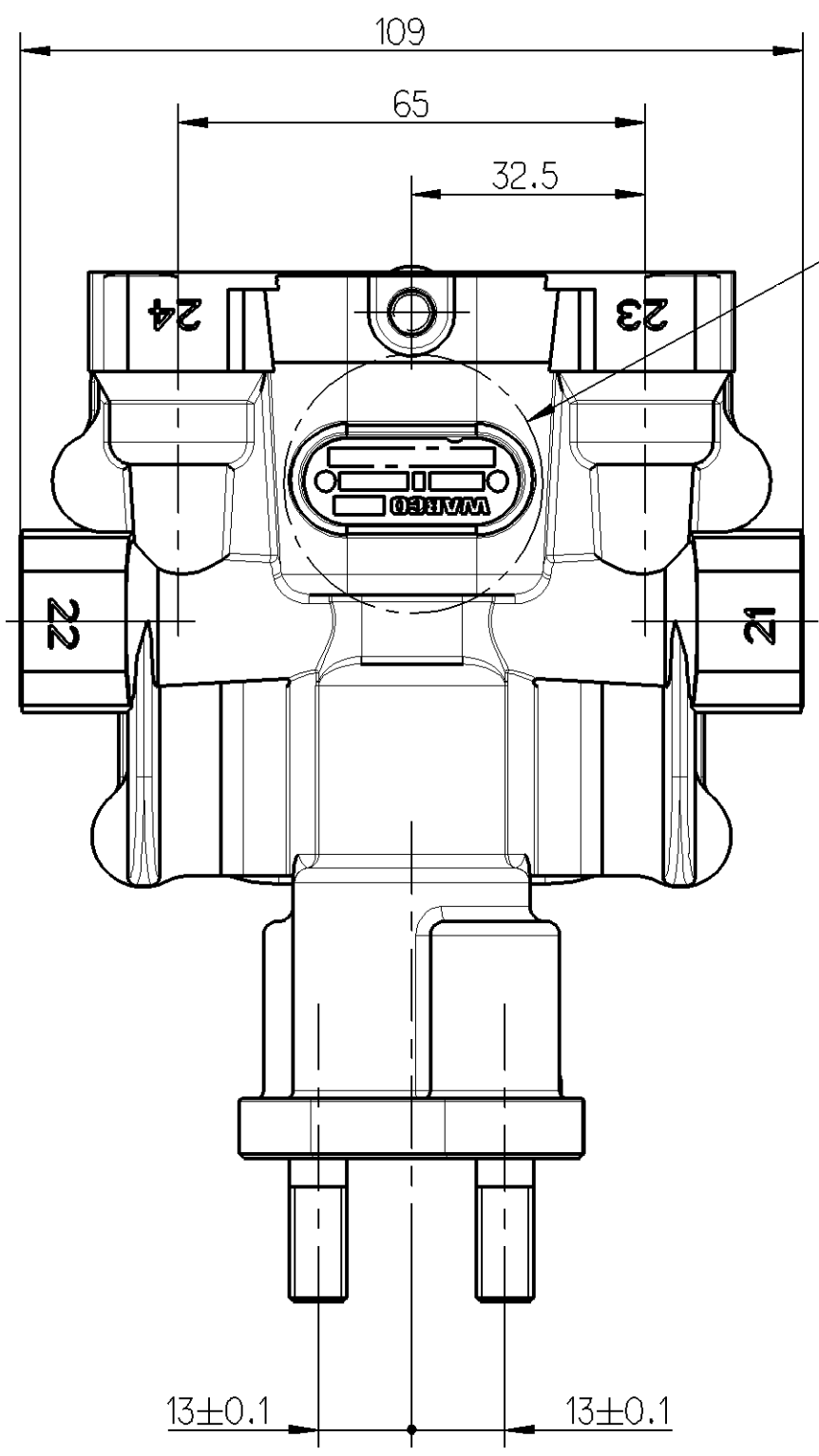
KORROSIONSSCHUTZ
ALUMINIUMTEILE CHROMIERT GEMASS JED-259
SCHRAUBEN MECHANISCH VERZINKT GEMASS JED-256-1

PROTECTION ANTICORROSIVE
PIECES ALUMINIUM CHROMEES POUR JED-259
VIS MECANIQUEMENT ZINGUEES POUR JED-256-1

PROTEZIONE ANTICORROSIONE
PEZZI IN ALUMINIO CROMATI PER JED-259
VITI MECCANICAMENTE ZINCATE E PER JED-256-1

CONNECTIONS ANSCHLUESSE ORIFICES ORIFIZI	1-	SUPPLY LUFTEINTRITT ALIMENTATION ALIMENTAZIONE
CIRCUIT 1 KREIS 1 CIRCUIT 1 CIRCUITO 1	21-	CIRCUIT 2 KREIS 2 CIRCUIT 2 CIRCUITO 2
CIRCUIT 3 KREIS 3 CIRCUIT 3 CIRCUITO 3	23-	CIRCUIT 4 KREIS 4 CIRCUIT 4 CIRCUITO 4

VALVE MAY BE MOUNTED AT ANY ANGLE
VENTIL KANN IN BELIEBIGER LAGE MONTIER WERDEN
LA SOUPAPE PEUT ETRE INSTALLE A N'IMPORTE QUEL ANGLE
VALVOLA MONTABILE A QUALSIASI ANGOLO



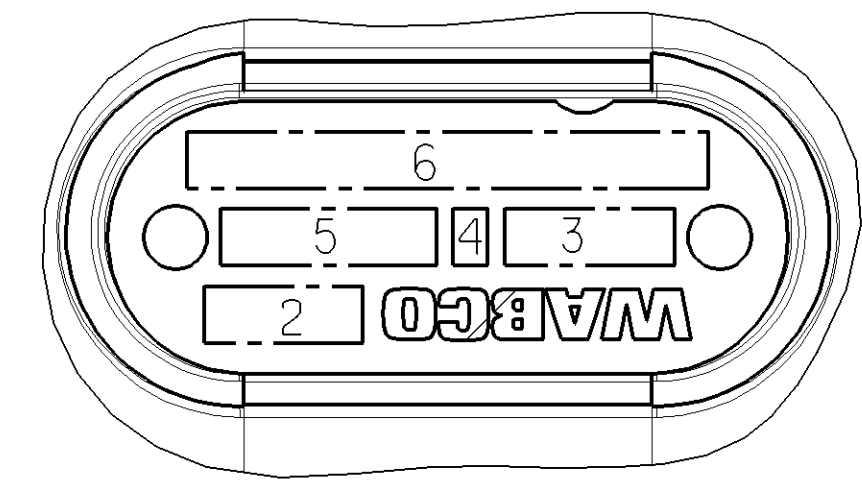
PORTS ORIFICES	ANSCHLUESSE ATTACCHI	21	22	23	24
OPENING PRESSURE DYNAMIC OEFFNUNGSDRUCK DYNAMISCH PRESSION DE OUVERTURE DYNAM PRESSIONE DI APERTURA DINAM	BAR	6.5 ⁺⁰ / _{-0.3}	6.5 ⁺⁰ / _{-0.3}	7.5 ⁺⁰ / _{-0.3}	6.5 ⁺⁰ / _{-0.3}
CLOSING PRESSURE DYNAMIC SCHLISSDRUCK DYNAMISCH PRESSION DE FERMETURE DYNAM PRESSIONE DI CHIUSURA DINAM	BAR	> 6.0			
CLOSING PRESSURE STATIC AT FAILURE OF CIRCUIT.... SCHLISSDRUCK STATISCH BEI AUSFALLVON KREIS... PRESSION DE FERMETURE STATIQUE EN CAS DE DEFAILLANCE DU CIRCUIT.... PRESSIONE DI CHIUSURA STATICA IN CASO DI DIFETTO DEL CIRCUITO...	BAR	0	> 5.0	#	> 5.0
		> 5.0	0	> 5.0	> 5.0
		> 5.0	> 5.0	0	> 5.0
		> 5.0	> 5.0	> 5.0	0

- LABEL MARKED WITH:-**
2. PRODUCTION PLANT
 3. DATE OF MANUFACTURE
 4. BLANK
 5. REVISION LEVEL
 6. PART NUMBER

- SCHILD MIT AUFSCHRIFT:-**
2. FERTIGUNGSWERK
 3. HERSTELLDATUM
 4. LEERSTELLE
 5. ANDERUNGSSTAND
 6. TEILE NR.

- ETIQUETTE COMPORTANT:-**
2. USINE DE PRODUCTION
 3. DATE DE FABRICATION
 4. VIDE
 5. NIVEAU DE REVISION
 6. NO. DE PIECE

- ETICHETTA CONTRASSEGNA CON:-**
2. STABILIMENTO DI PRODUZIONE
 3. DATA DI FABRICAZIONE
 4. SPAZIO VUOTO
 5. LIVELLO DI REVISIONE
 6. PARTICOLARE NO.



DETAIL A
3:1

ADMISSIBLE TEMPERATURES = -40°C / +90°C
THERMISCHER ANWENDUNGSBEREICH
TEMPERATURE DE SERVICE
TEMPERATURA D'ESERCIZIO

SERVICE PRESSURE = 13 bar MAX.
BETRIEBSDRUCK
PRESSION DE SERVICE
PRESSIONE D'ESERCIZIO

MEDIUM : ARIA
MEDIUM : AIR
FLUIDE : LUFT
FLUIDO : ARIA

General Specifications: JED-334-0		Copyright WABCO®	
Further Technical Data:		Date	Signature
Doc. Code:	Sheet: To:	2009-04-29	Chamol
General Tolerances JED-261		Checked	2009-06-15
Range of Nominal Dimensions (± mm)		Expert	Mach
Class	1) ≤ 50 > 50 > 180 > 400	Mach	
Fine	0.5 1.0 1.5 2.0		
Medium	1.0 2.0 3.0 4.0		
Coarse	2.0 3.5 5.0 6.5		
Tapped Holes acc.		Material No.	Date of first issue: 2009-06-15
1) Tolerance Class Applied Crossmarked		934 714 151 0	Doc.Code Language Sheet
		005 ML 1/1	
		Revision Techn. Resp.	Replacement for
		B 5120	

Non e' permesso copiare o trarre o riprodurre questo documento, ne utilizzare il contenuto o renderlo comunque noto a terzi senza permesso scritto dalla WABCO. Toute reproduction ou communication de son contenu sans l'interdiction, sauf autorisation écrite de la WABCO. Toute utilisation non autorisée de ce document est formellement interdite. All rights reserved. No part of this document may be reproduced, stored in a retrieval system, or transmitted in any form or by any means, electronic, mechanical, photocopying, recording, or by any information storage and retrieval system, without the prior written permission of WABCO.