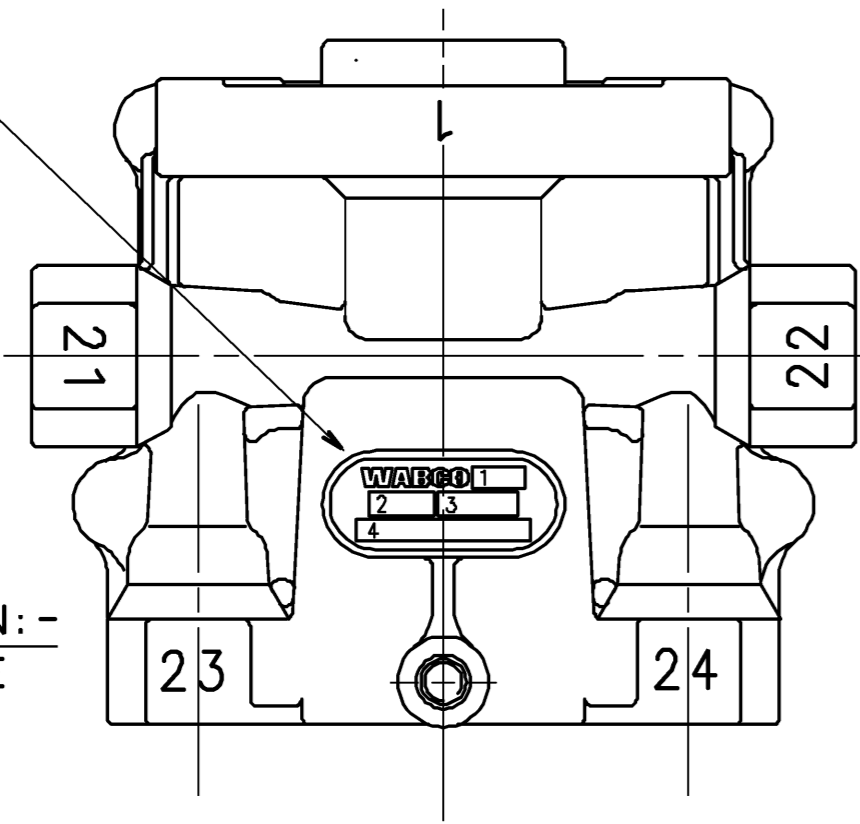


LABEL MARKED WITH :-
 1.PRODUCTION PLANT
 2.DATE OF MANUFACTURE
 3.REVISION LEVEL
 4.PART NUMBER
 SCHILD MIT AUFSCHRIFT:-
 1.FERTIGUNGSWERK
 2.HERSTELLDATUM
 3.ANDERUNGSSTAND
 4.TEILE NR.
 ETIQUETTE COMPORTANT:-
 1.USINE DE PRODUCTION
 2.DATE DE FABRICATION
 3.NIVEAU DE REVISION
 4.NO.DE PIECE
 ETICHETTA CONTRASSEGNA CON:-
 1.STABILIMENTO DI PRODUZIONE
 2.DATA DI FABBRICAZIONE
 3.LIVELLO DI REVISIONE
 4.PARTICOLARE NO.

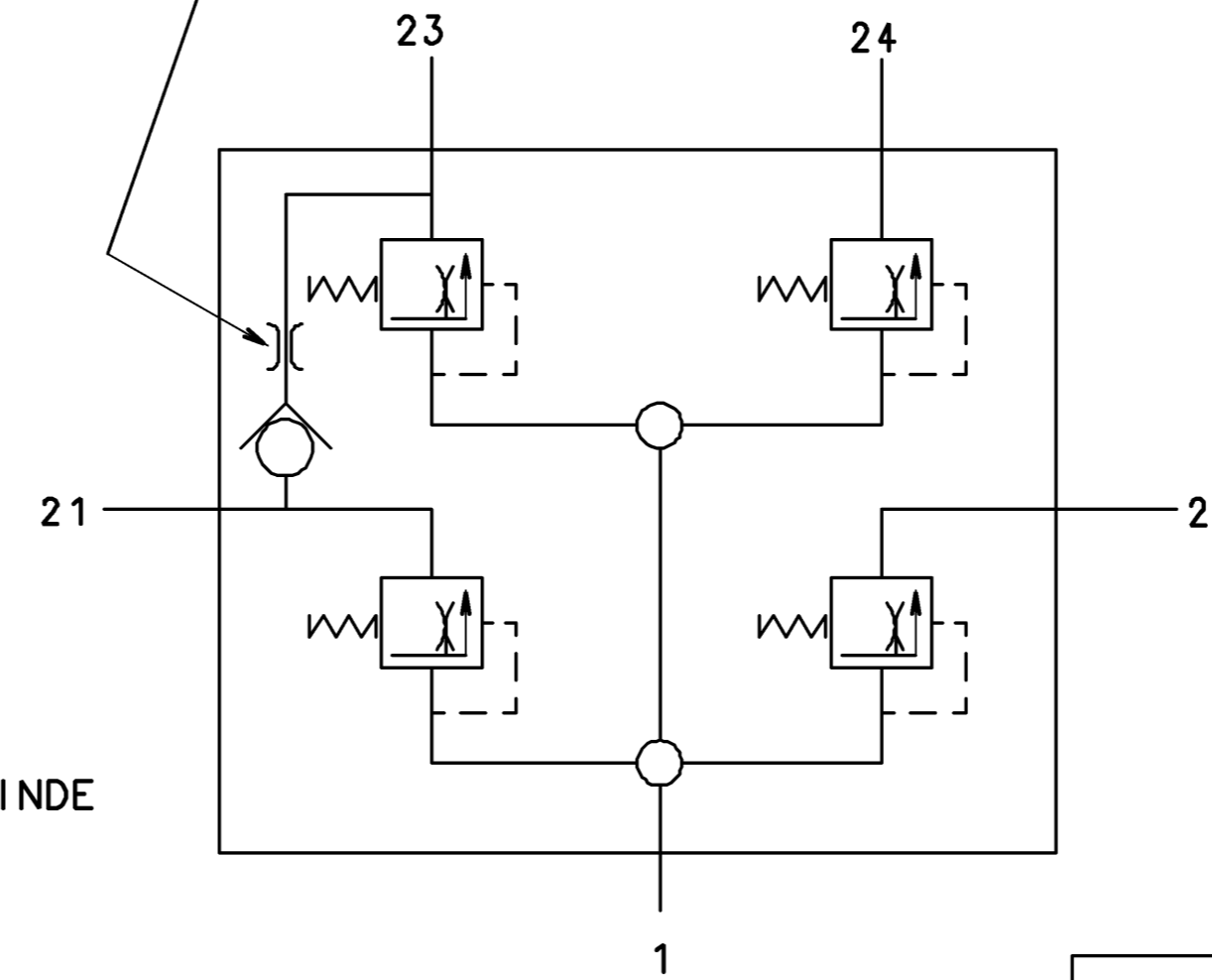


FLOW RATE = 16-35 l/min
 AT $P_{23}=8, P_{21}=0$ bar
 DURCHFLOUSSMENGE = 16-35 l/min
 BEI $P_{23}=8, P_{21}=0$ bar
 DEBIT = 16-35 l/min
 SOUS $P_{23}=8, P_{21}=0$ bar
 PORTATA = 16-35 l/min
 PER $P_{23}=8, P_{21}=0$ bar

ADMISSIBLE TEMPERATURES.
 THERMISCHER ANWENDUNGSBEREICH. -40°C TO +90°C
 TEMPERATURE DE SERVICE
 TEMPERATURA D'ESERCIZIO.

SERVICE PRESSURE.
 BETRIEBSDRUCK. MAX 13 bar.
 PRESSION DE SERVICE.
 PRESSIONE D'ESERCIZIO.

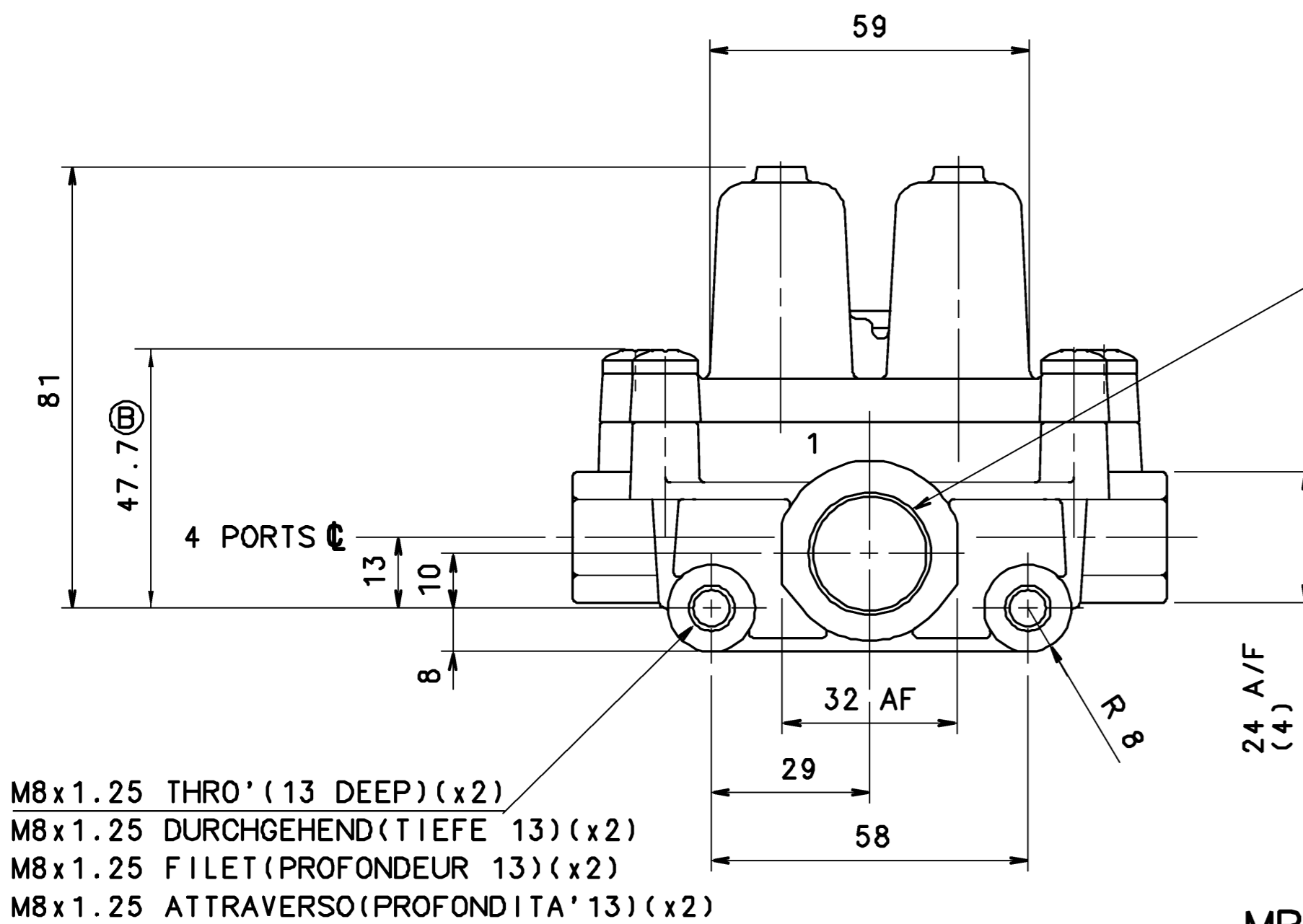
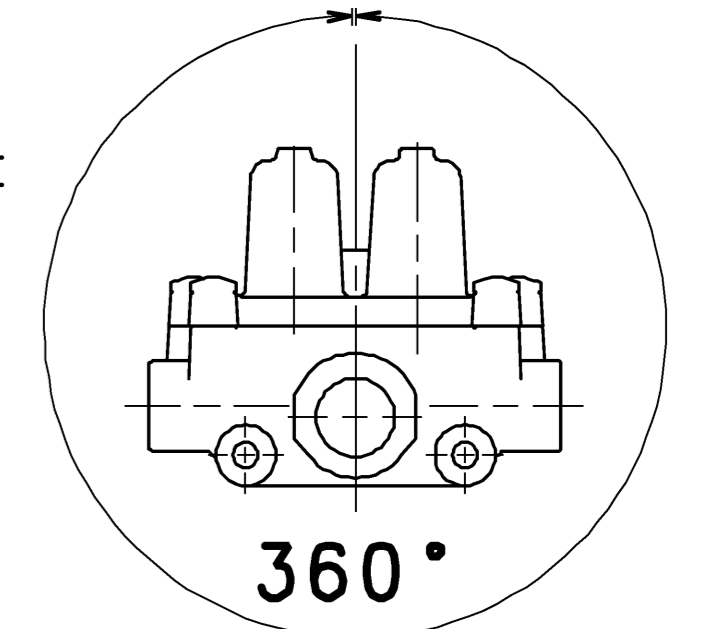
MEDIUM LUFT.
 MILIEU AIR.
 FLUIDO ARIA.
 FLUIDO ARIA.



CONNECTIONS ANSCHLUESSE ORIFICES ORIFIZI

21-	CIRCUIT 1 KREIS 1 CIRCUIT 1 CIRCUITO 1	22-	CIRCUIT 2 KREIS 2 CIRCUIT 2 CIRCUITO 2
23-	CIRCUIT 3 KREIS 3 CIRCUIT 3 CIRCUITO 3	24-	CIRCUIT 4 KREIS 4 CIRCUIT 4 CIRCUITO 4

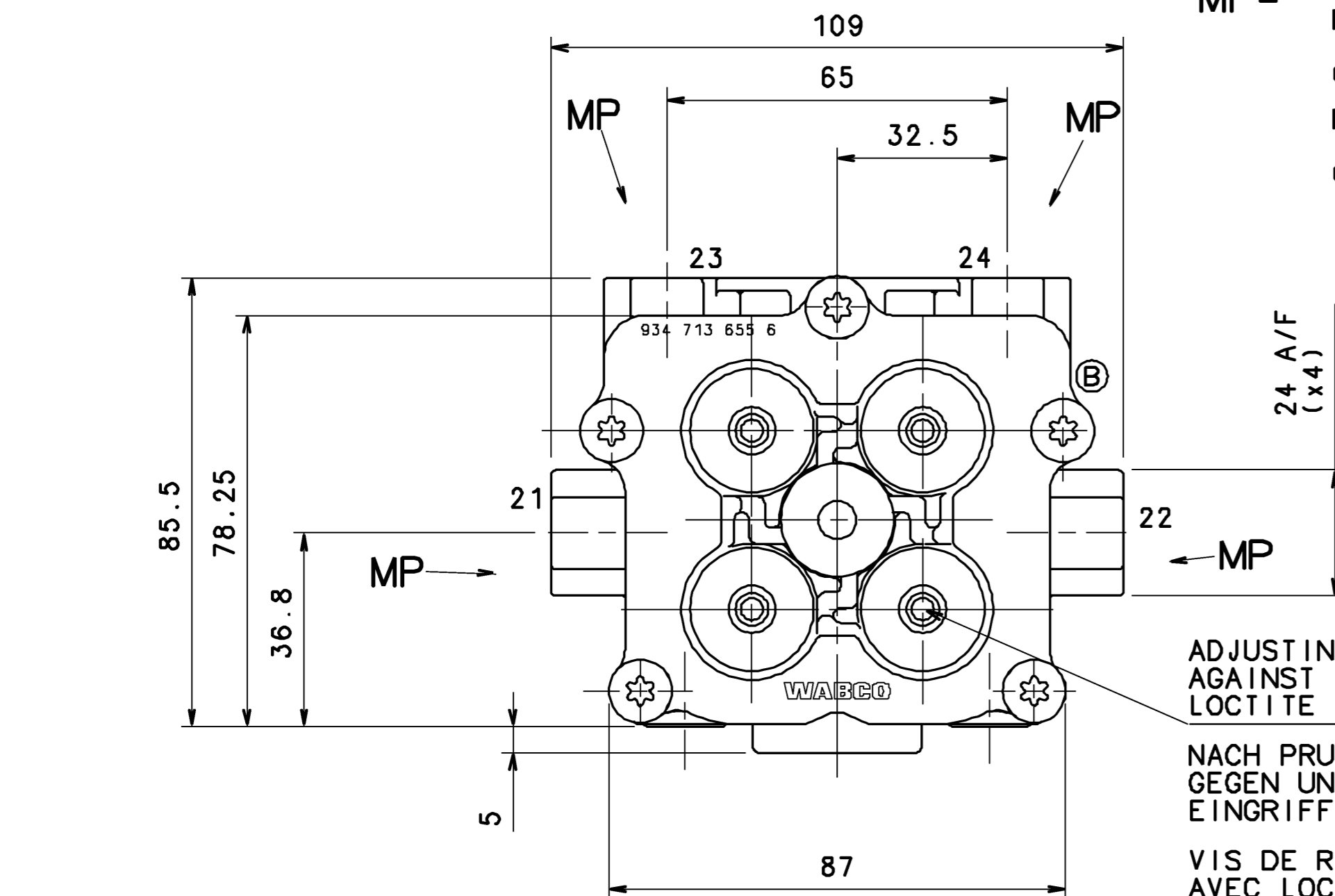
SUPPLY LUFTEINTRITT ALIMENTATION ALIMENTAZIONE



PORT 1
 M22x1.5-6H x16 FULL THREAD
 JED 152
 TORQUE 55 Nm MAX.
 ANSCHLUESSE 1
 M22x1.5-6H x16 DURCHGEHENDES GEWINDE
 JED 152
 ANZUGSMOMENT 55 Nm MAX.
 ORIFICES 1
 M22x1.5-6H x16 FILET COMPLET
 JED 152
 COUPLE DE SERRAGE 55 Nm MAX.
 ORIFIZI 1
 M22x1.5-6H x16 FILETTATURA COMPLETA
 JED 152
 COPPIA DI SERRAGGIO 55 Nm MAX.

M16x1.5-6H x13 FULL THREAD
 JED 152
 TORQUE 35 Nm MAX.
 M16x1.5-6H x13 DURCHGEHENDES GEWINDE
 JED 152
 ANZUGSMOMENT 35 Nm MAX.
 M16x1.5-6H x13 FILET COMPLET
 JED 152
 COUPLE DE SERRAGE 35 Nm MAX.
 M16x1.5-6H x13 FILETTATURA COMPLETA
 JED 152
 COPPIA DI SERRAGGIO 35 Nm MAX.

MP=



ADJUSTING SCREWS SECURED AGAINST TAMPERING WITH LOCTITE AFTER TEST.

NACH PRUFUNG MIT LOCTITE GEGEN UNBEFUGTE EINGRIFFE GESICHERT

VIS DE REGLAGE FIXEES AVEC LOCTITE PAR SECURITE APRES ESSAI

VITI DI REGOLAZIONE FISSATE CONTRO MANOMISSIONE CON LOCTITE DOPO LE PROVE

CORROSION PROTECTION:-
 KORROSIONSSCHUTZ
 PROTECTION ANTICORROSIVE
 PROTEZIONE ANTICORROSIONE

ALUMINIUM PARTS CHROMATED TO JED-259
 ALUMINIUMTEILE CHROMIERT GEMASS JED-259
 PIECES ALUMINIUM CHROMEES POUR JED-259
 PEZZI IN ALUMINIO CROMATI PER JED-259

SCREWS MECHANICALLY ZINC PLATED AND PASSIVATED (JED-256-4)

SCHRAUBEN MECHANISCH VERZINKT UND PASSIVIERT (JED-256-4)

VIS MECANIQUEMENT ZINGUEES ET PASSIVEES (JED-256-4)

VITI MECCANICAMENTE ZINCATE E PASSIVATE (JED-256-4)

PORTS ORIFICES	ANSHLUESSE ATTACCHI	21	22	23	24
OPENING PRESSURE DYNAMIC OEFFNUNGSDRUCK DYNAMISCH PRESSION DE OUVERTURE DYNAM PRESSIONE DI APERTURA DINAM	BAR	6.5 ⁺⁰ _{-0.3}		7.4 ⁺⁰ _{-0.3}	6.5 ⁺⁰ _{-0.3}
CLOSING PRESSURE DYNAMIC SCHLIESSDRUCK DYNAMISCH PRESSION DE FERMETURE DYNAM PRESSIONE DI CHIUSURA DINAM	BAR	≥ 4.5			
CLOSING PRESSURE STATIC AT FAILURE OF CIRCUIT ... SCHLIESSDRUCK STATISCH BEI AUSFALL VON KREIS ... PRESSION DE FERMETURE STATIQUE EN CAS DE DEFAILLANCE DU CIRCUIT ... PRESSIONE DI CHIUSURA STATICA IN CASO DI DIFETTO DEL CIRCUITO ...	BAR	0	≥ 4.5	≥ 4.5	
		≥ 4.5	0	≥ 4.5	
		≥ 4.5		0	≥ 4.5
		≥ 4.5	≥ 4.5		0

DRAWING PRODUCED ON CADAM
 MANUAL CHANGES PROHIBITED

DIMENSIONS IN MILLIMETRES

General Specification: JED-334-0		Copyright WABCO		WABCO	
Further Technical Data:		Date	Origin	QUADRUPLE CIRCUIT PROTECTION VALVE. VIERKREIS - SCHUTZVENTIL. VALVE DE PROTECTION LA 4 CIRCUITS. VALVOLA DI PROTEZIONE LA 4 CIRCUITI.	
Doc. Code:	Sheet: To	20.04.2009	CHAMOT		
General Tolerances JED-251		Checked	20.04.2009	MACH	
Range of Nominal Dimensions (± mm)		EIMI			
Class 1)	< 50	> 50	> 180		
Fine	0.5	1.0	1.5	2.0	
Medium	1.0	2.0	3.0	4.0	±3*
Coarse	2.0	3.5	5.0	6.5	
Tapped Holes acc.		Mass	Scale	Material No.	
1) Tolerance Class Applied Crossmarked		1.1	1:1	934 714 211 0	
		Size	CAD System	Rev. Code	Language
		A 1	CCD	005	ML
		ECN No.	Revision	Techn. Resp.	Sheet
		121685	3B	510	1/1