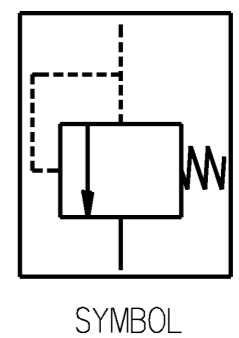
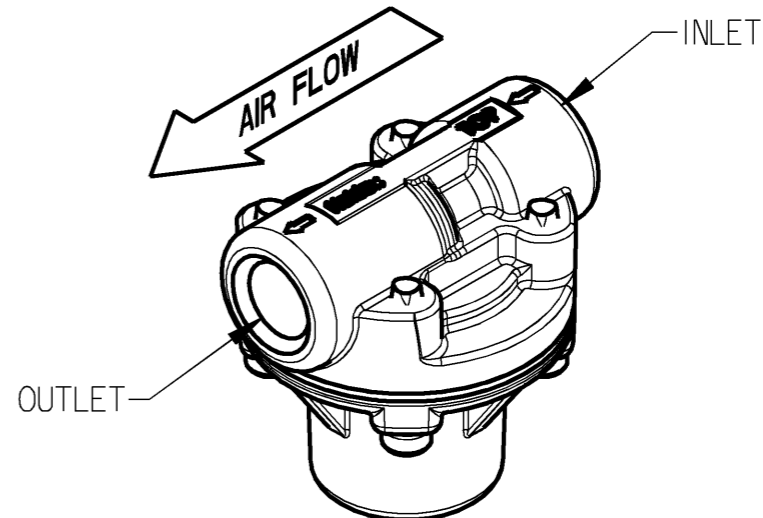
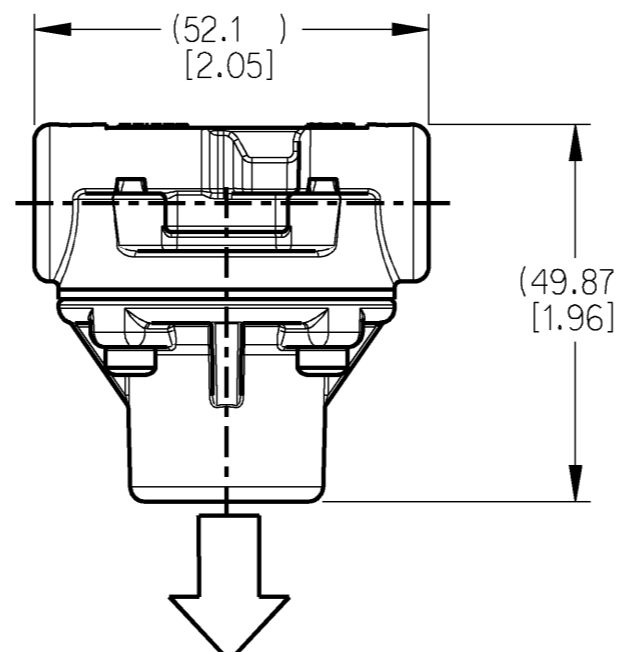
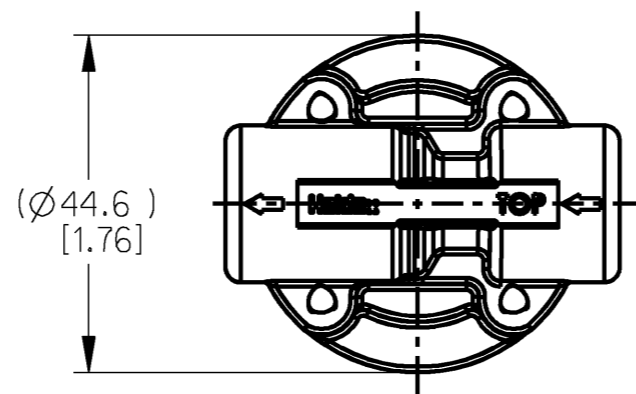
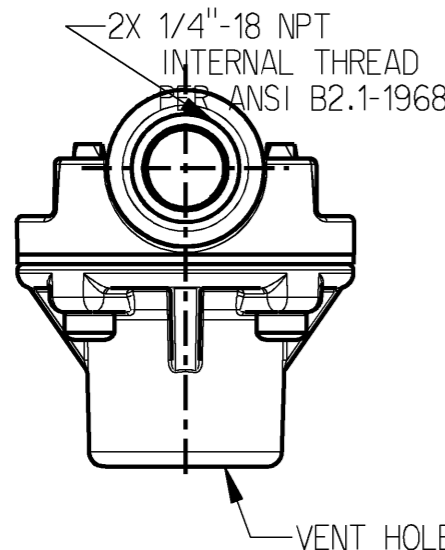


| | | |
|-----|-----------------------------|---|
| <1> | SAFETY CHARACTERISTICS | 0 |
| <2> | SIGNIFICANT CHARACTERISTICS | 0 |



**MOUNT WITH CAP
FACING DOWN**
SEE NOTES
FOR MOUNTING

| | | |
|---------------------------|---------------------------|---------------|
| 95 | 90 | 934 899 403 0 |
| 85 | 80 | 934 899 402 0 |
| 70 | 65 | 934 899 401 0 |
| OPENING PRESSURE (PSI) | CLOSING PRESSURE (PSI) | PART NUMBER |

PERMISSIBLE MEDIA: AIR
 MAX OPERATING PRESSURE: 155 PSI (10.7 bar)
 CLOSING AND OPENING PRESSURE:
 DESIGNATED +/-10 PSI (.7 bar)
 THERMAL RANGE: -40 °F (-40 °C) TO +200 °F (+93 °C)
 (B) PART TO BE IDENTIFIED WITH WABCO NAME,
 AND PART NUMBER.
 SEAL MATERIAL: NITRILE
 PRIMARY MATERIALS: ZINC/NITRILE/STEEL

- NOTES:
- 1) MOUNT WITH CAP FACING DOWN FAILURE TO DO SO PROPERLY MAY RESULT IN DAMAGE TO THE VALVE
 - 2) MOUNT IN LOCATION WHERE THE VALVE HAS LIMITED EXPOSURE TO UV LIGHT. FAILURE TO DO SO MAY REDUCE EXTERNAL CORROSION RESISTANCE.
 - 3) VENT HOLE MUST FACE DOWN AND NOT BE OBSTRUCTED.
 - 4) VALVE ASSEMBLY MUST BE ADEQUATELY SUPPORTED WHEN INSTALLED AND PROTECTED FROM POTENTIAL IMPACT DURING OPERATION.
 - 5) VENDOR CODE: 20042

THIRD ANGLE PROJECTION

| | | | | | | | | | |
|---|-----------------------------|------------------|------------------|---|------|---------------|------------------------|-----------------|-------|
| General Specification: JED-334-1, Size ISO 14405 LP | | Copyright WABCO® | | WABCO® VALVE, PRESSURE PROTECTION | | | | | |
| Further Technical Data: | | Date | Signature | | | | Date of first issue: - | | |
| Doc. Code: | Sheet: To | 2019-05-06 | Srinivasaperumal | | | | Doc.Code | Language | Sheet |
| General Tolerances JED-261 | | 2019-05-06 | Paoletti | | | | 053 | EN | 1/1 |
| Range of Nominal Dimensions (± mm) | | Mass | Scale | Material No. | | 934 899 401 0 | | | |
| Class 1) | ≤ 50 > 50 > 180 > 400 > 400 | - | 1:1 | - | | | | | |
| Fine | 0.5 1.0 1.5 2.0 | kg | | ECN-No. | | Revision | Techn. Resp. | Replacement for | |
| Medium | 1.0 2.0 3.0 4.0 | | | 500822 | 2x B | 5120_MW | - | - | |
| Coarse | 2.0 3.5 5.0 6.5 | | | | | | | | |
| Tapped Holes acc. | | Size | CAD System | ECN-No. | | Revision | Techn. Resp. | Replacement for | |
| 1) Tolerance Class Applied Crossmarked | | A 3 | CREO | 500822 | 2x B | 5120_MW | - | - | |

Non e permesso consegnare o terzi o riprodurre questo documento, ne utilizzare il contenuto o renderlo comunque noto a terzi senza autorizzazione esplicita. Ogni infrazione costituirà un evidente abuso e comporterà il risarcimento dei danni subiti. E' fatta riserva di tutti i diritti derivanti da brevetti o modelli. Copying of this document and giving it to others and the use or communication of the contents thereof, are forbidden without express authority. Controvenition of this restriction will constitute an evident abuse and result in a liability to the payment of damages. All rights are reserved in the event of the grant of patent or registration of a utility model or design. This document is the subject of copyright.

Toute communication ou reproduction de ce document, toute exploitation ou communication de son contenu sont interdites, sauf autorisation expresse. Tout manquement a cette regle constitue un abus evident et expose son auteur au versement de dommages et interets. Tous droits de propriete industrielle reserves, notamment en matiere de brevets et de modeles. Weitergabe sowie Vervielfaeltigung dieser Unterlage, Verwertung und Mitteilung ihres Inhalts nicht gestattet, soweit nicht ausdrucklich zugestanden. Zuwiderhandlungen stellen einen offensichtlichen Missbrauch dar und verpflichten zu Schadenersatz. Alle Rechte fuer den Fall der Patenterteilung oder Gebrauchsmuster-Eintragung vorbehalten.

Toute communication ou reproduction de ce document, toute exploitation ou communication de son contenu sont interdites, sauf autorisation expresse. Tout manquement a cette regle constitue un abus evident et expose son auteur au versement de dommages et interets. Tous droits de propriete industrielle reserves, notamment en matiere de brevets et de modeles. Weitergabe sowie Vervielfaeltigung dieser Unterlage, Verwertung und Mitteilung ihres Inhalts nicht gestattet, soweit nicht ausdrucklich zugestanden. Zuwiderhandlungen stellen einen offensichtlichen Missbrauch dar und verpflichten zu Schadenersatz. Alle Rechte fuer den Fall der Patenterteilung oder Gebrauchsmuster-Eintragung vorbehalten.