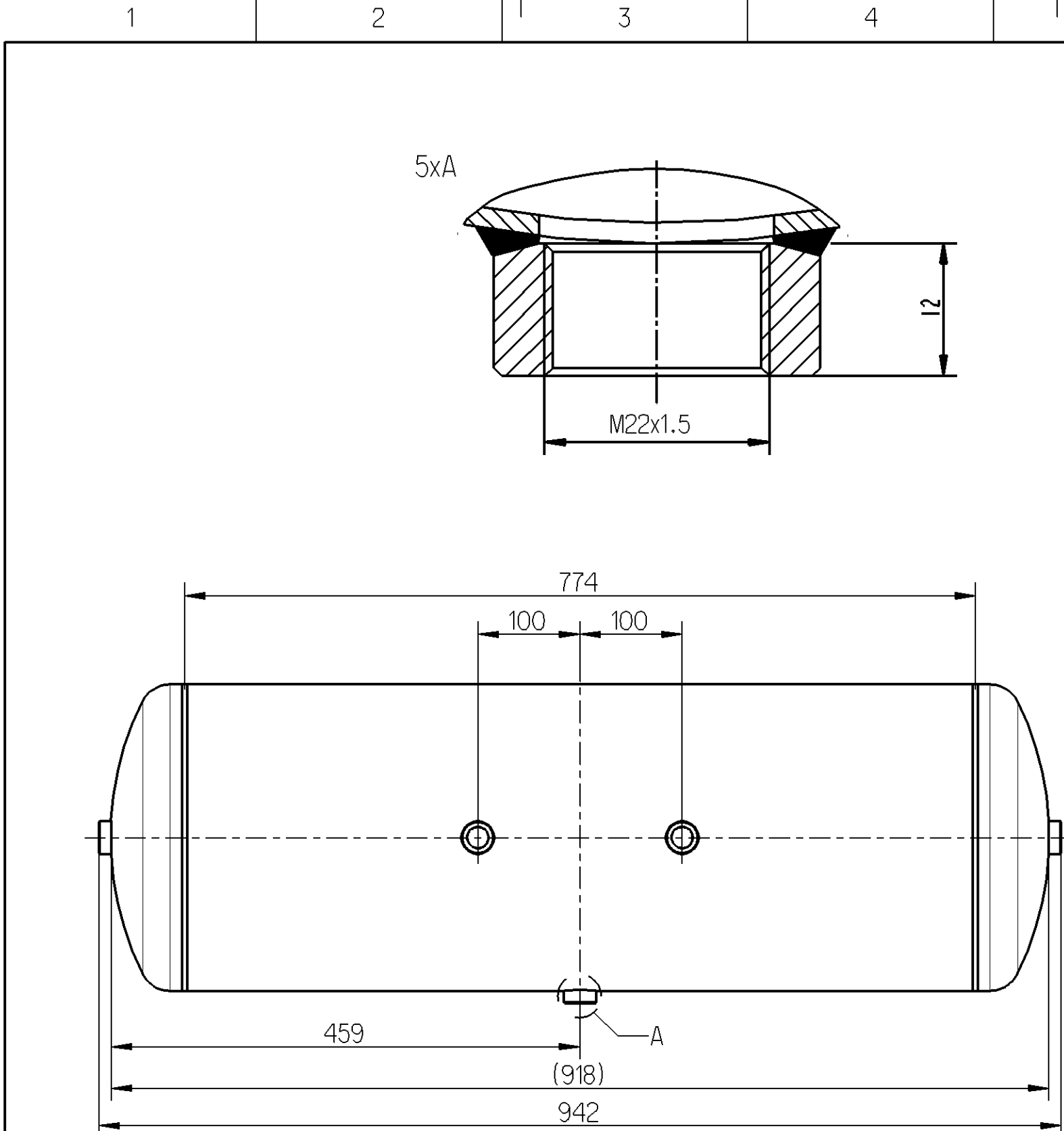


Non e permesso consegnare a terzi o riprodurre questo documento, ne utilizzare il contenuto o renderlo comunque noto a terzi senza autorizzazione esplicita. Ogni infrazione costituira un evidente abuso e comportera il risarcimento dei danni subiti. E' fatta riserva di tutti i diritti derivanti da brevetti o modelli.

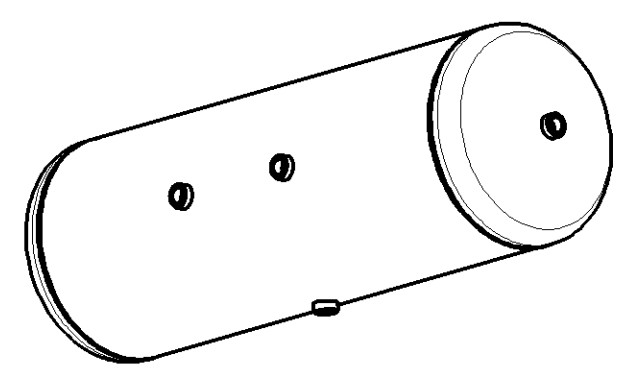
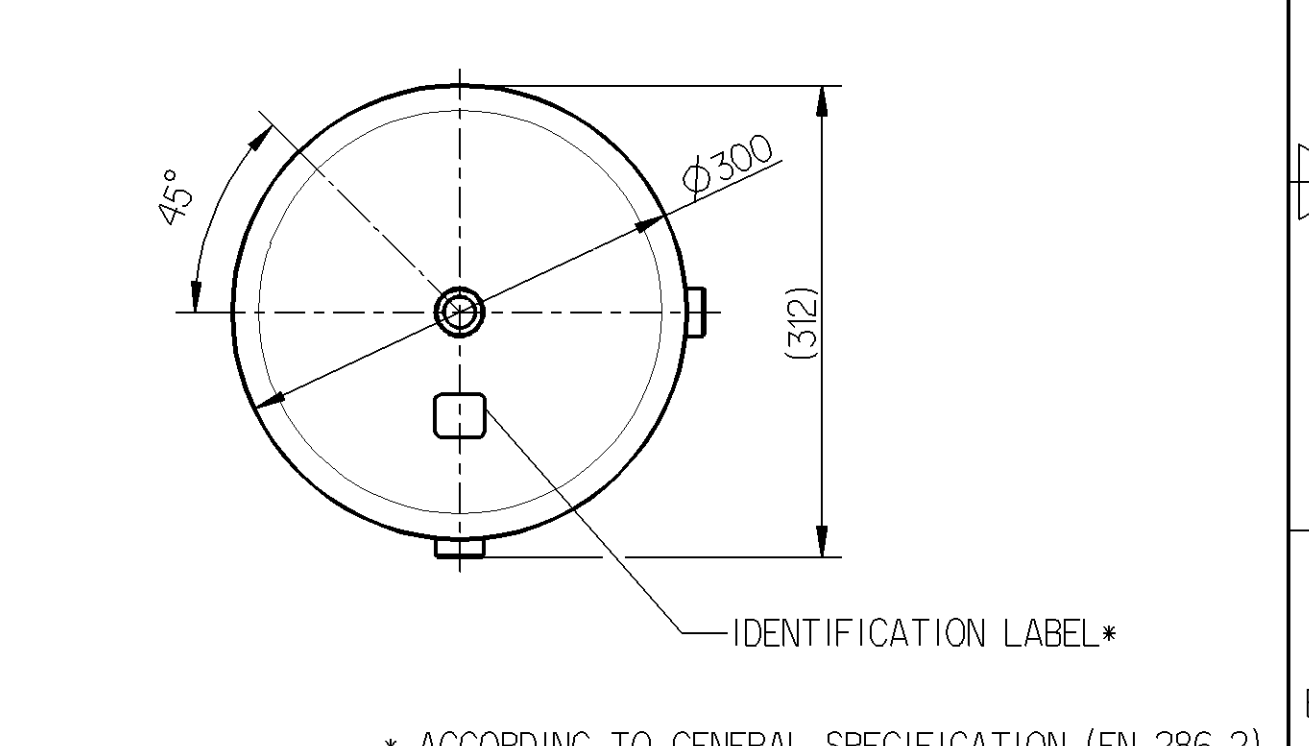
Toute communication ou reproduction de ce document, toute exploitation ou communication de son contenu sont interdites, sauf autorisation expresse. Tout manquement a cette regle constitue un abus evident et expose son auteur au versement de dommages et interets. Tous droits de proprieete industrielle reserves, notamment en matiere de brevets et de modesles.

Weitergabe sowie Vervielfaerung dieser Unterlage, Verwertung und Mitteilung ihres Inhalts nicht gestattet, soweit nicht ausdruercklich zugestanden. Zuwiderhandlungen stellen einen offensichtlichlichen Missbrauch dar und verpflichten zu Schadensersatz. Alle Rechte fuer den Fall der Patenterteilung oder Gebrauchsmuster-Eintragung vorbehalten.

Copying of this document and giving it to others and the use or communication of the contents thereof, are forbidden without express authority. Contrivention of this restriction will constitute an evident abuse and result in a liability to the payment of damages. All rights are reserved in the event of the grant of patent or registration of a utility model or design. This document is the subject of copyright.



VOLUME: VOLUMEN: VOLUME: VOLUME:		60 L
WORKING PRESSURE: BETRIEBSDRUCK: PRESSION D'UTILISATION: PRESSIONE DI LAVORO:	Ps	12,5 BAR
TEMPERATURE RANGE: TEMPERATURBEREICH: PLAGE DE TEMPERATURES: CAMPO DI TEMPERATURA:	MIN/MAX	-50/100 °C
MATERIAL: WERKSTOFF: MATIERE: MATERIALE:		STEEL STAHL ACIER ACCIAIO
SURFACE PROTECTION/COLOR: OBERFLACHENSCHUTZ/FARBE: PROTECTION DE SURFACE/COULEUR: PROTEZIONE SUPERFICI/COLORE:		PAINT/BLACK LACK/SCHWARZ PEINTURE/NOIR VERNICE/NERO



General Specification: JED-334-0, EN 286-2		Copyright WABCO®		WABCO		
Further Technical Data:		Date	Signature			
Doc. Code:		Drawn		AIR RESERVOIR		
Sheet: To		2011-07-06 Kapciuch				
General Tolerances JED-261		Checked		Date of first issue: 2007-04-27		
Class 1) Range of Nominal Dimensions (± mm)		2011-07-08 Czapiewski				
		Expert		Doc.Code Language Sheet		
		Chamot				
Fine	0.5 1.0 1.5 2.0	Mass	Scale	Material No.		005 ML 1/1
Medium	1.0 2.0 3.0 4.0	17.0 KG	1:5	950 060 009 0		
Coarse	X 2.0 3.5 5.0 6.5	Size	CAD System	ECN-No.		Replacement for
Tapped Holes acc. ISO 4039 / JED-152		A 3	Pro/E	155874	Revision B	
1) Tolerance Class Applied Crossmarked						