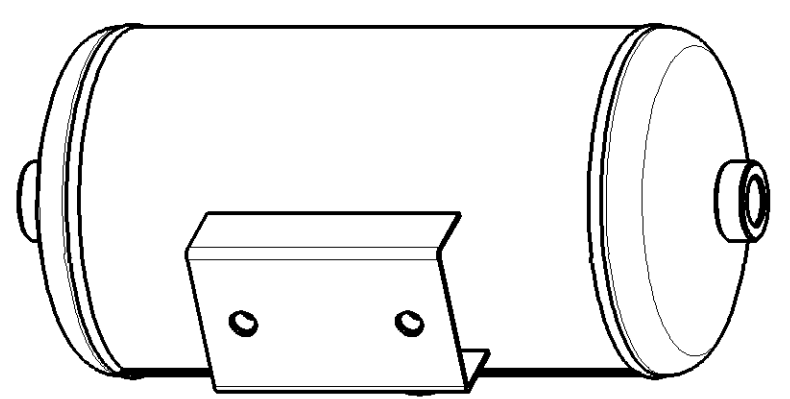
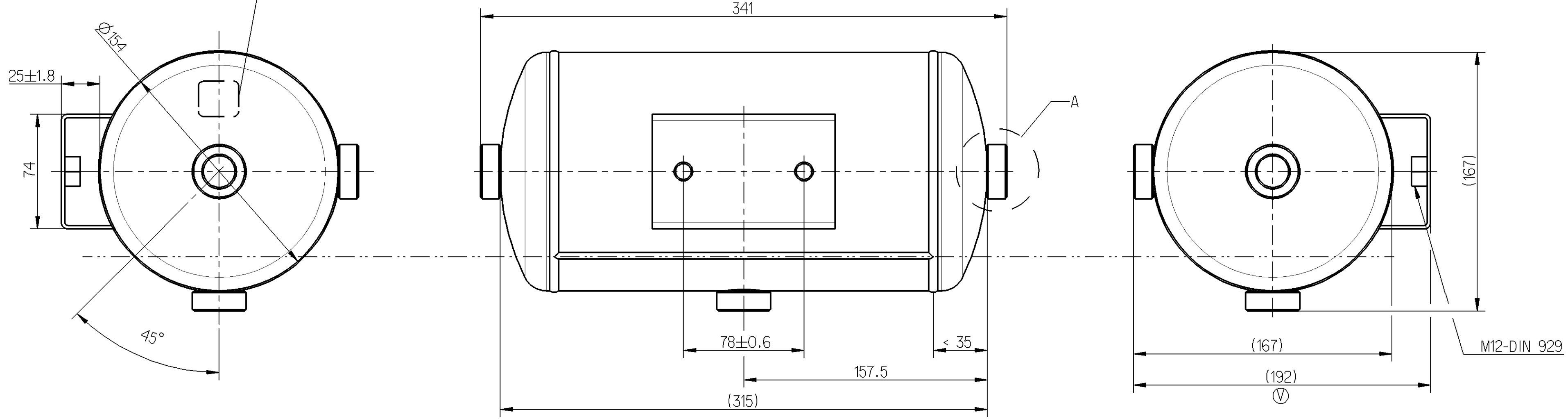
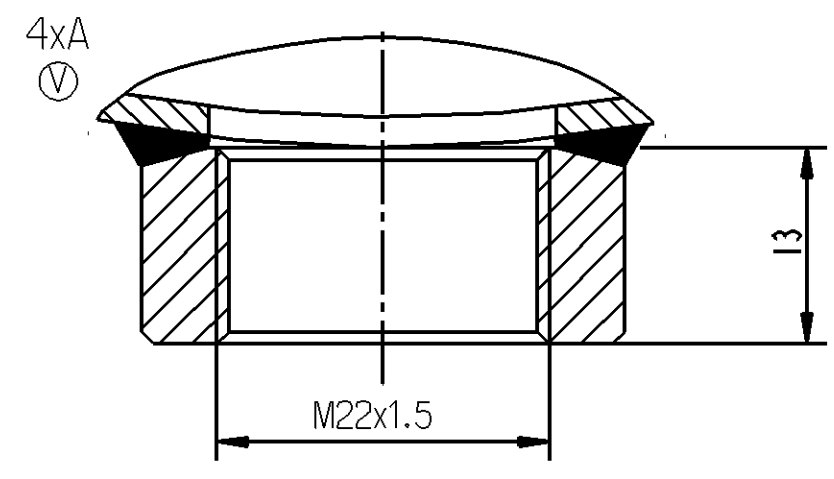


| | | |
|-------------------------------------------------------------------------------------------------------------------------|---------|--------------------------------------------------------------|
| VOLUME: VOLUMEN: VOLUME: VOLUME: | | 5 L |
| WORKING PRESSURE: BETRIEBSDRUCK: PRESSION D'UTILISATION: PRESSIONE DI LAVORO: | Ps | 20 BAR |
| TEMPERATURE RANGE: TEMPERATURBEREICH: PLAGE DE TEMPERATURES: CAMPO DI TEMPERATURA: | MIN/MAX | -50/100 °C |
| MATERIAL: WERKSTOFF: MATIERE: MATERIALE: | | STEEL STAHL ACIER ACCIAIO |
| SURFACE PROTECTION/COLOR: OBERFLACHENSCHUTZ/FARBE: PROTECTION DE SURFACE/COULEUR: PROTEZIONE SUPERFICI/COLORE: | | PAINT/BLACK LACK/SCHWARZ PEINTURE/NOIR VERNICE/NERO |

IDENTIFICATION LABEL *

| | |
|-----------|---------------------|
| Type: | WABCO 950 105 001 0 |
| Type: | |
| Serial: | |
| Tmin/max: | -50/100 °C |
| V: | 5,0 L Ps: 20 bar |
| EN | 286-2:1992 |
| Year: | |



| | | | | | | |
|----------------------------------------------|-----------------------------|------------------|-----------|------------------|------------|---------------------------------|
| General Specification: JED-334-0, EN-286-2 | | Copyright WABCO® | | WABCO | | |
| Further Technical Data: | | Date | Signature | AIR RESERVOIR | | |
| Doc. Code: Sheet: To | | 2013-07-24 | Kopciuch | LUFBEHAELTER | | |
| General Tolerances JED-261 | | 2013-07-25 | Chamot | RESERVOIR D'AIR | | |
| Class 1) Range of Nominal Dimensions (± mm) | | Expert | | SERBATOIO D'ARIA | | |
| Fine | ≤ 50 > 50 ≤ 180 > 180 > 400 | Kopciuch | | Mtss | Scale | Material No. |
| Medium | 1.0 2.0 3.0 4.0 | ±3° | | 3.4 | 1:2 | 950 105 001 0 |
| Coarse | 2.0 3.5 5.0 6.5 | | | Size | CAD System | Date of first issue: 2008-11-04 |
| Tapped Holes acc. | | A 2 Pro/E | | ECN-No. | Revision | Doc.Code Language Sheet |
| 1) Tolerance Class Applied Crossmarked | | | | 161964 | 3 x V | 005 ML 1/1 |
| | | | | Techn. Resp. | | Replacement for |
| | | | | 5060 | | |

* ACCORDING TO GENERAL SPECIFICATION (EN 286-2)

Ⓢ EXTERNAL SURFACE PROTECTION: 480h NSS test acc. DIN EN ISO 9227

Non e permesso consegnare o terzi o riprodurre questo documento, ne utilizzare il contenuto o renderlo comunque noto a terzi senza permesso scritto dalla WABCO. E' vietata espressamente la ristampa o l'uso non autorizzato di questo documento. Toute communication ou reproduction de ce document, toute exploitation ou communication de son contenu sont interdites, sauf autorisation expresse. Tout manquement a cette regle constitue un abus evident et expose son auteur au versement de dommages et interests. Todos derechos de propiedad industrial reservados, notamment en materia de brevets et de modelos. Weitergabe sowie Vervielfaeltigung dieser Unterlagen, Verwertung und Mitteilung ihres Inhalts nicht gestattet, soweit nicht ausdruecklich zugestimmt. Zuwiderhandlungen stellen einen strafrechtlichen Missbrauch dar und verpflichten zu Schadensersatz. Alle Rechte fuer den Fall der Patentierung oder Gebrauchsmuster-Eintragung vorbehalten.