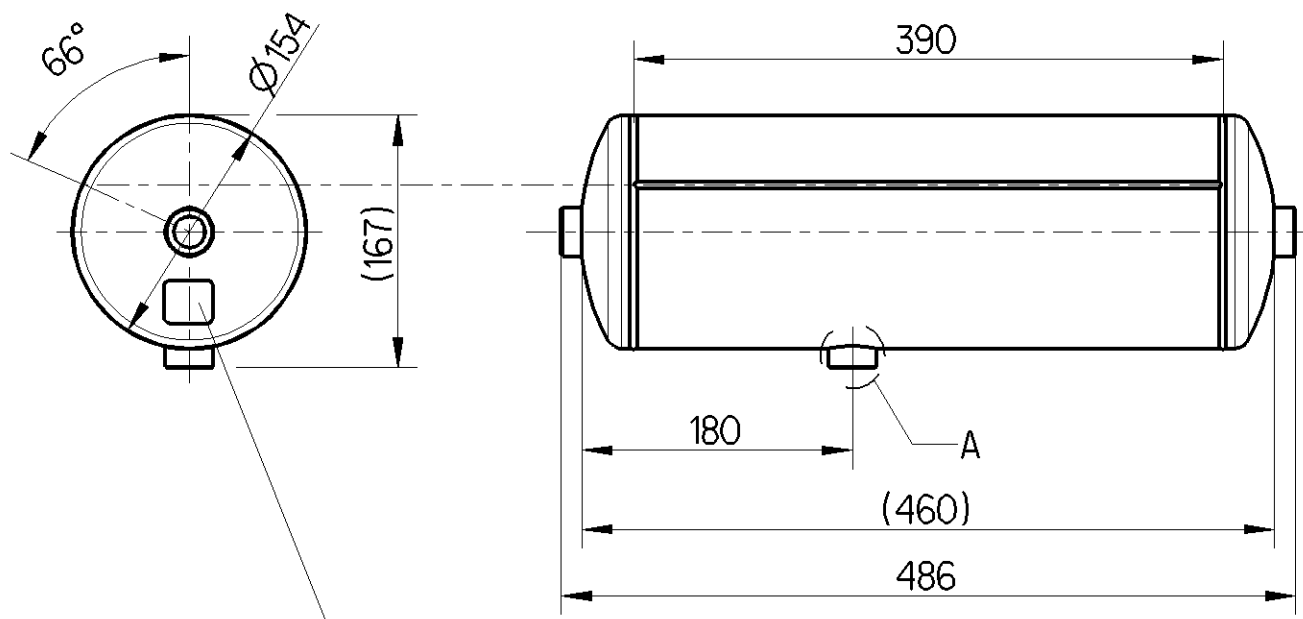
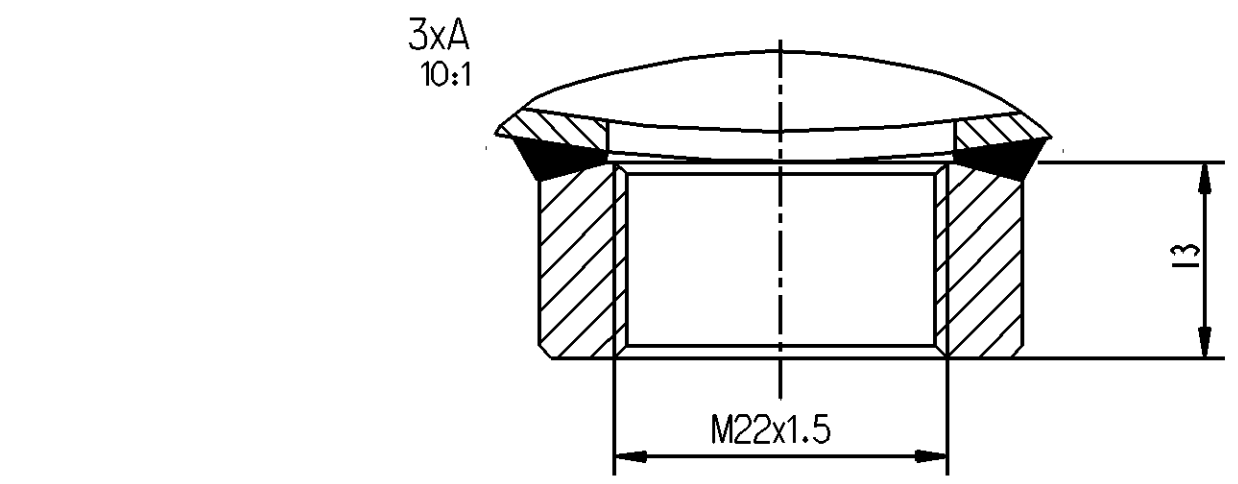


Non e permesso consegnare a terzi o riprodurre questo documento, ne utilizzare il contenuto o renderlo comunque noto a terzi senza autorizzazione esplicita. Ogni infrazione costituirà un evidente abuso e comporterà il risarcimento dei danni subiti. E' fatta riserva di tutti i diritti derivanti da brevetti o modelli.

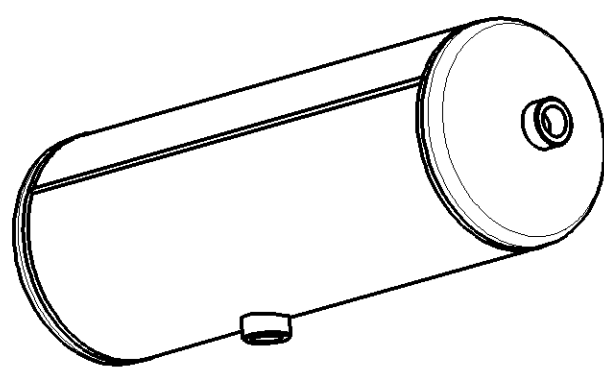
Toute communication ou reproduction de ce document, toute exploitation ou communication de son contenu sont interdites, sauf autorisation expresse. Tout manquement a cette regle constitue un abus evident et expose son auteur au versement de dommages et interets. Tous droits de propriete industrielle reserves, notamment en matiere de brevets et de modesles.

Copying of this document and giving it to others and the use or communication of the contents thereof, are forbidden without express authority. Contrivention of this restriction will constitute an evident abuse and result in a liability to the payment of damages. All rights are reserved in the event of the grant of patent or registration of a utility model or design. This document is the subject of copyright.

Weitergabe sowie Vervielfältigung dieser Unterlage, Verwertung und Mitteilung ihres Inhalts nicht gestattet, soweit nicht ausdrücklich zugestanden. Zuwiderhandlungen stellen einen offensichtlichen Missbrauch dar und verpflichten zu Schadensersatz. Alle Rechte fuer den Fall der Patenterteilung oder Gebrauchsmuster-Eintragung vorbehalten.



IDENTIFICATION LABEL 1



VOLUME: VOLUMEN: VOLUME: VOLUME:		7.7 L
WORKING PRESSURE: BETRIEBSDRUCK: PRESSION D'UTILISATION: PRESSIONE DI LAVORO:	Ps	15.5 BAR
TEMPERATURE RANGE: TEMPERATURBEREICH: PLAGE DE TEMPERATURES: CAMPO DI TEMPERATURA:	MIN/MAX	-50/100 °C
MATERIAL: WERKSTOFF: MATIERE: MATERIALE:		STEEL STAHL ACIER ACCIAIO
SURFACE PROTECTION/COLOR: OBERFLACHENSCHUTZ/FARBE: PROTECTION DE SURFACE/COULEUR: PROTEZIONE SUPERFICI/COLORE:		PAINT/BLACK LACK/SCHWARZ PEINTURE/NOIR VERNICE/NERO

1 ACCORDING TO GENERAL SPECIFICATION (EN 286-2)

CLEANLINESS CLASS: JED-593 CLASS K00, AF=2400cm² FOR INNER SURFACE

General Specification: JED-334-1, Size ISO 14405 LP		Copyright WABCO®		WABCO		
Further Technical Data:		Date	Signature			
Doc. Code:	Sheet: To	Drawn		AIR RESERVOIR LUFTBEHÄLTER RÉSERVOIR D'AIR SERBATOIO D'ARIA		
General Tolerances ISO 13920-C		2016-06-16	Marek			
Range of Nominal Dimensions (± mm)		Checked		Date of first issue: 2016-06-17		
Class 1)	≤ 50 > 50 > 180 > 180 > 400 > 400	2016-06-17	Chamot			Doc.Code
Fine		Expert		005	EN	1/1
Medium		Marek		Material No. 950 108 002 0		
Coarse		Mass	Scale	Date of first issue: 2016-06-17		
Tapped Holes acc. ISO 4039 / JED-152		4.1 KG	1:5	Doc.Code		
1) Tolerance Class Applied Crossmarked		Size	CAD System	Language		
		A 3	CREO	Sheet		
		ECN-No. 167979		Revision		
		Techn. Resp. 5060		Replacement for		