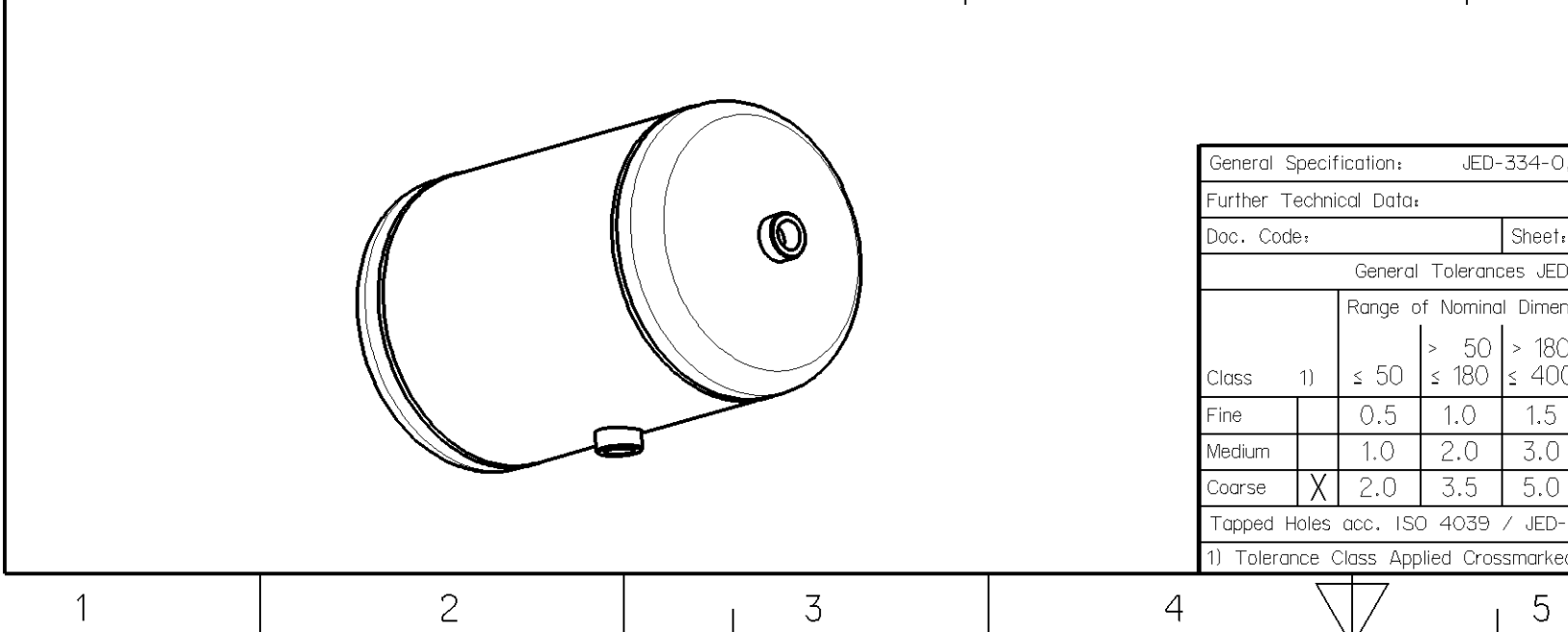
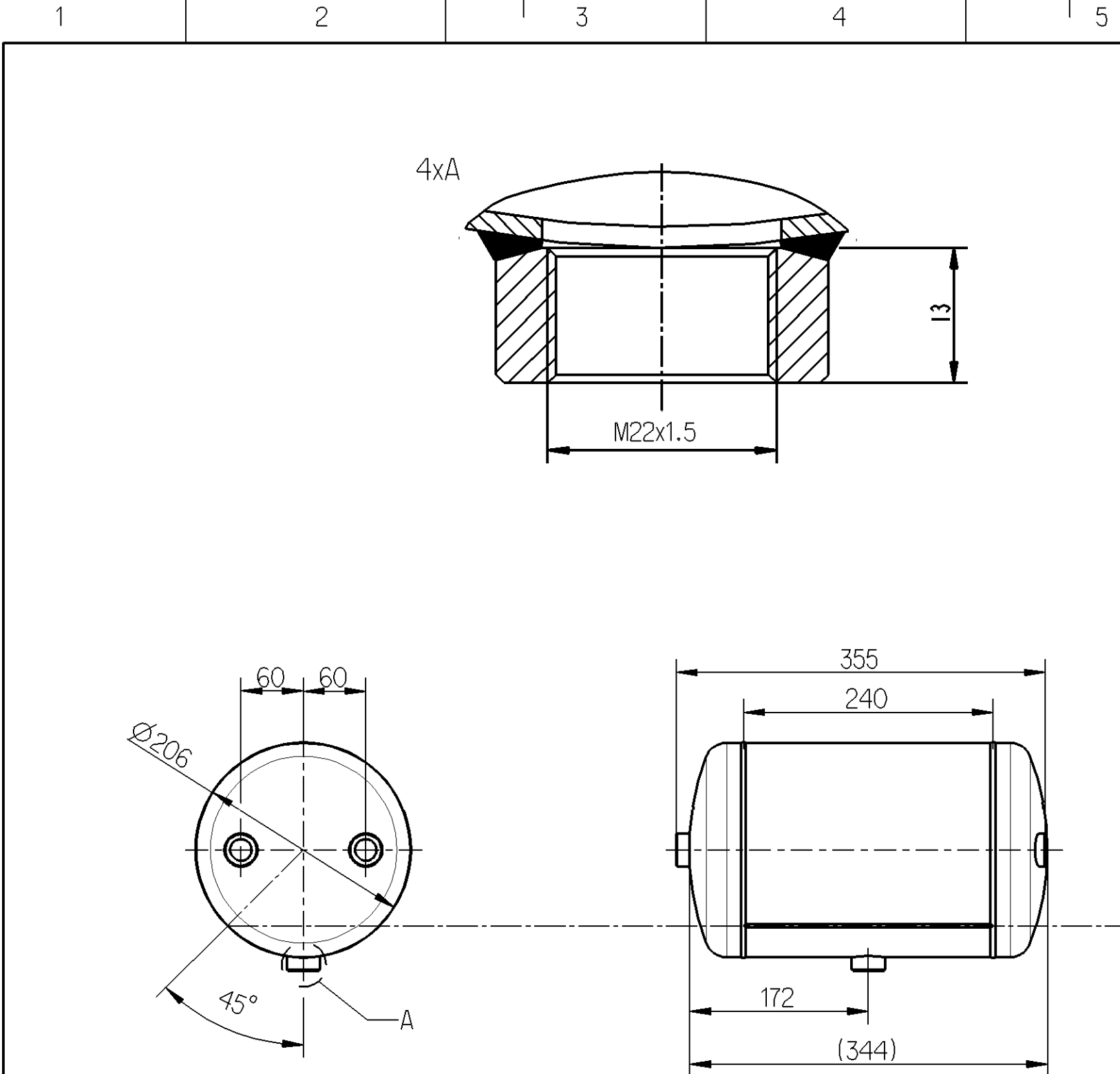


Non e permesso consegnare a terzi o riprodurre questo documento, ne utilizzare il contenuto o renderlo comunque noto a terzi senza autorizzazione esplicita. Ogni infrazione costituisce un evidente abuso e comportera il risarcimento dei danni subiti. E' fatta riserva di tutti i diritti derivanti da brevetti o modelli.

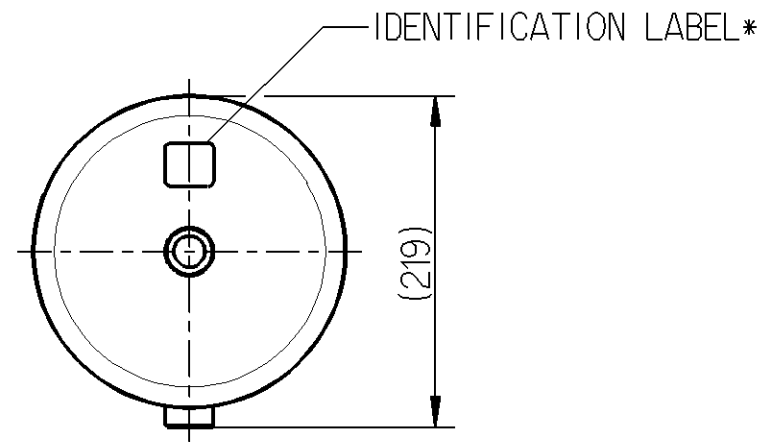
Copying of this document and giving it to others and the use or communication of the contents thereof, are forbidden without express authority. Contravention of this restriction will constitute an evident abuse and result in a liability to the payment of damages. All rights are reserved in the event of the grant of patent or registration of a utility model or design. This document is the subject of copyright.

Toute communication ou reproduction de ce document, toute exploitation ou communication de son contenu sont interdites, sauf autorisation expresse. Tout manquement a cette regle constitue un abus evident et expose son auteur au versement de dommages et interets. Tous droits de propriété industrielle reserves, notamment en matiere de brevets et de modèles.

Weitergabe sowie Vervielfaeltigung dieser Unterlage, Verwertung und Mitteilung ihres Inhalts nicht gestattet, soweit nicht ausdruecklich zugestanden. Zuwiderhandlungen stellen einen offensichtlichen Missbrauch dar und verpflichten zu Schadensersatz. Alle Rechte fuer den Fall der Patenterteilung oder Gebrauchsmuster-Eintragung vorbehalten.



VOLUME: VOLUMEN: VOLUME: VOLUME:		10 L
WORKING PRESSURE: BETRIEBSDRUCK: PRESSION D'UTILISATION: PRESSIONE DI LAVORO:	Ps	15.5 BAR
TEMPERATURE RANGE: TEMPERATURBEREICH: PLAGE DE TEMPERATURES: CAMPO DI TEMPERATURA:	MIN/MAX	-50/100 °C
MATERIAL: WERKSTOFF: MATIERE: MATERIALE:		STEEL STAHL ACIER ACCIAIO
SURFACE PROTECTION/COLOR: OBERFLACHENSCHUTZ/FARBE: PROTECTION DE SURFACE/COULEUR: PROTEZIONE SUPERFICI/COLORE:		PAINT/BLACK LACK/SCHWARZ PEINTURE/NOIR VERNICE/NERO



* ACCORDING TO GENERAL SPECIFICATION (EN 286-2)

ⓑ EXTERNAL SURFACE PROTECTION: 480h NSS test acc. DIN EN ISO 9227

General Specification: JED-334-0, EN 286-2		Copyright WABCO®		WABCO AIR RESERVOIR					
Further Technical Data:		Date	Signature				Date of first issue: 2013-07-25		
Doc. Code:	Sheet: To	2013-07-24	Kopciuch				Doc.Code	Language	Sheet
General Tolerances JED-261		2013-07-25	Chamot				005	ML	1/1
Range of Nominal Dimensions (± mm)		Checked		Material No.					
Class 1)	≤ 50	> 50 ≤ 180	> 180 ≤ 400	> 400	950 410 902 0				
Fine	0.5	1.0	1.5	2.0	Mass	Scale			
Medium	1.0	2.0	3.0	4.0	4.5 KG	1:5			
Coarse X	2.0	3.5	5.0	6.5	Size	CAD System			
Tapped Holes acc. ISO 4039 / JED-152		Expert		Date of first issue: 2013-07-25					
1) Tolerance Class Applied Crossmarked		Kopciuch		Doc.Code Language Sheet					
		A 3	Pro/E	ECN-No. Revision Techn. Resp. Replacement for					
				161964	1 x B	5060			

100mm