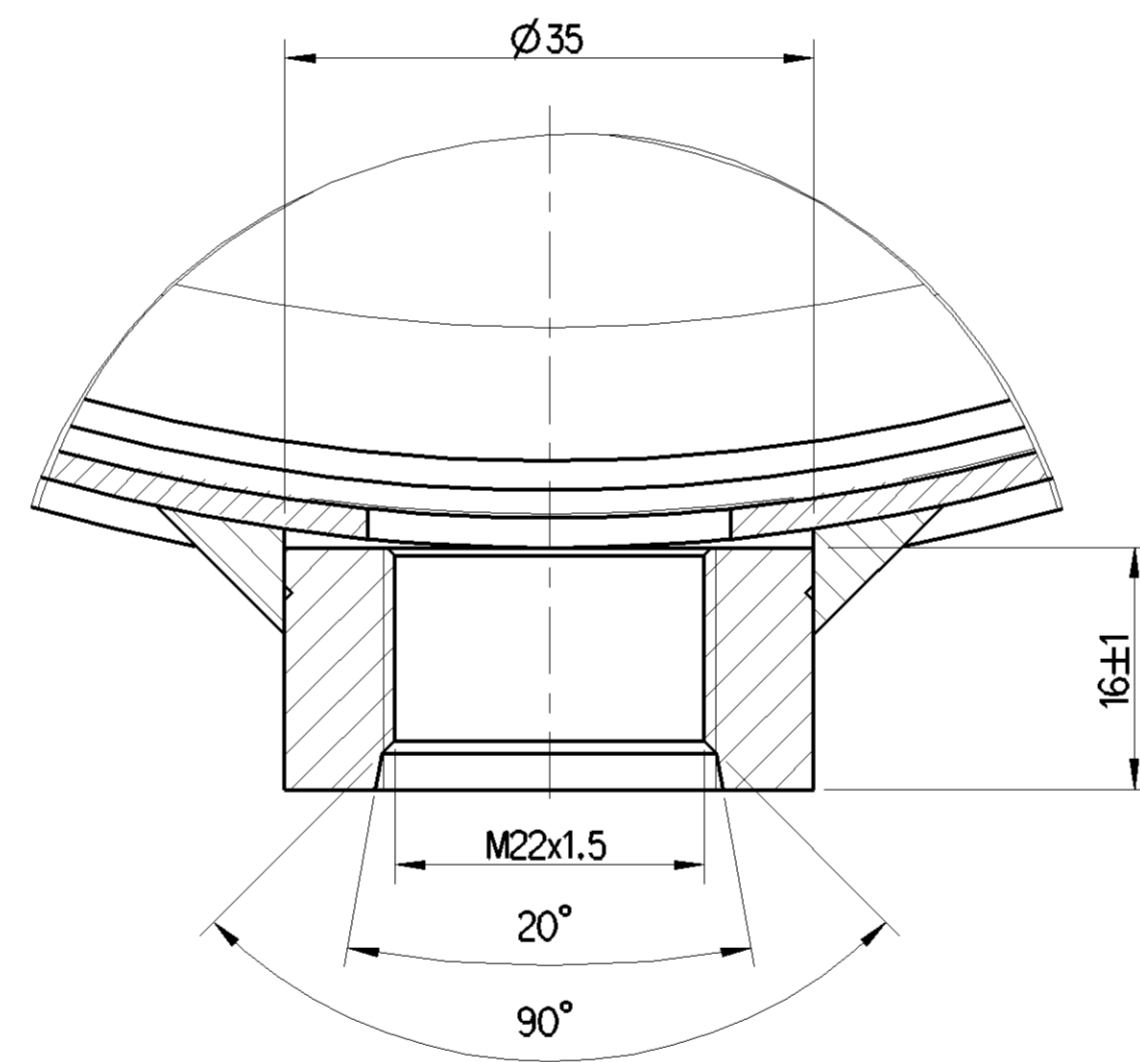
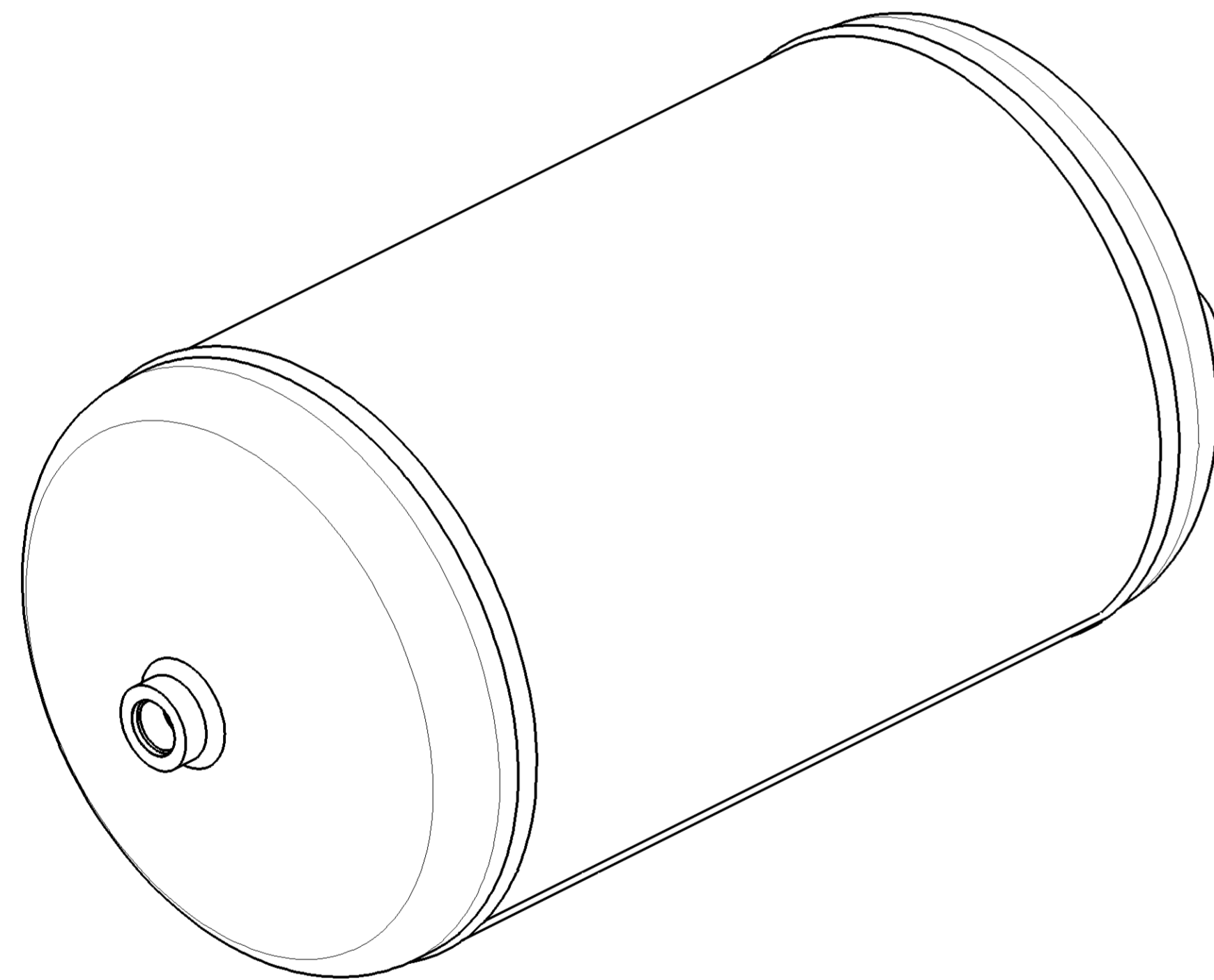
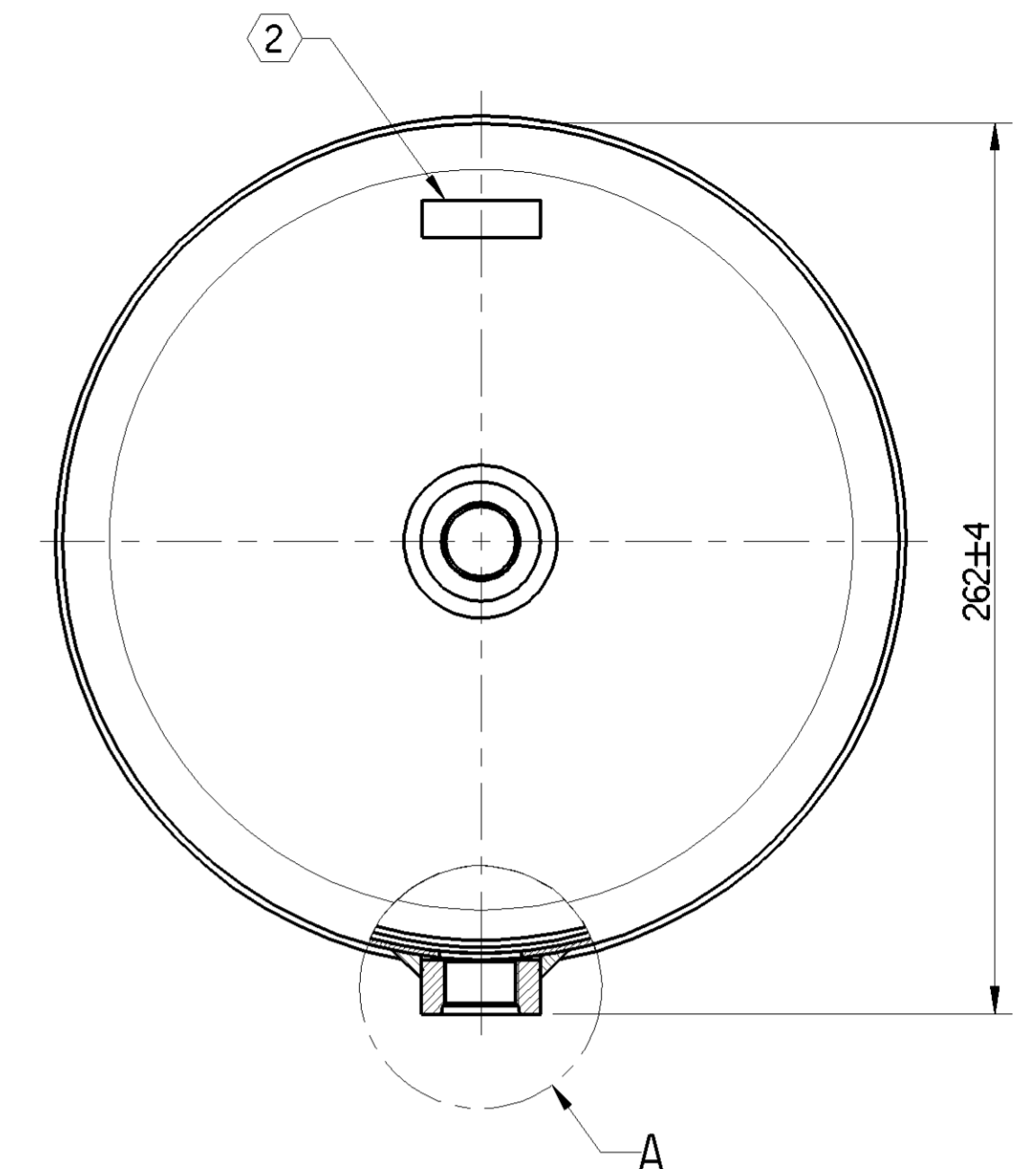
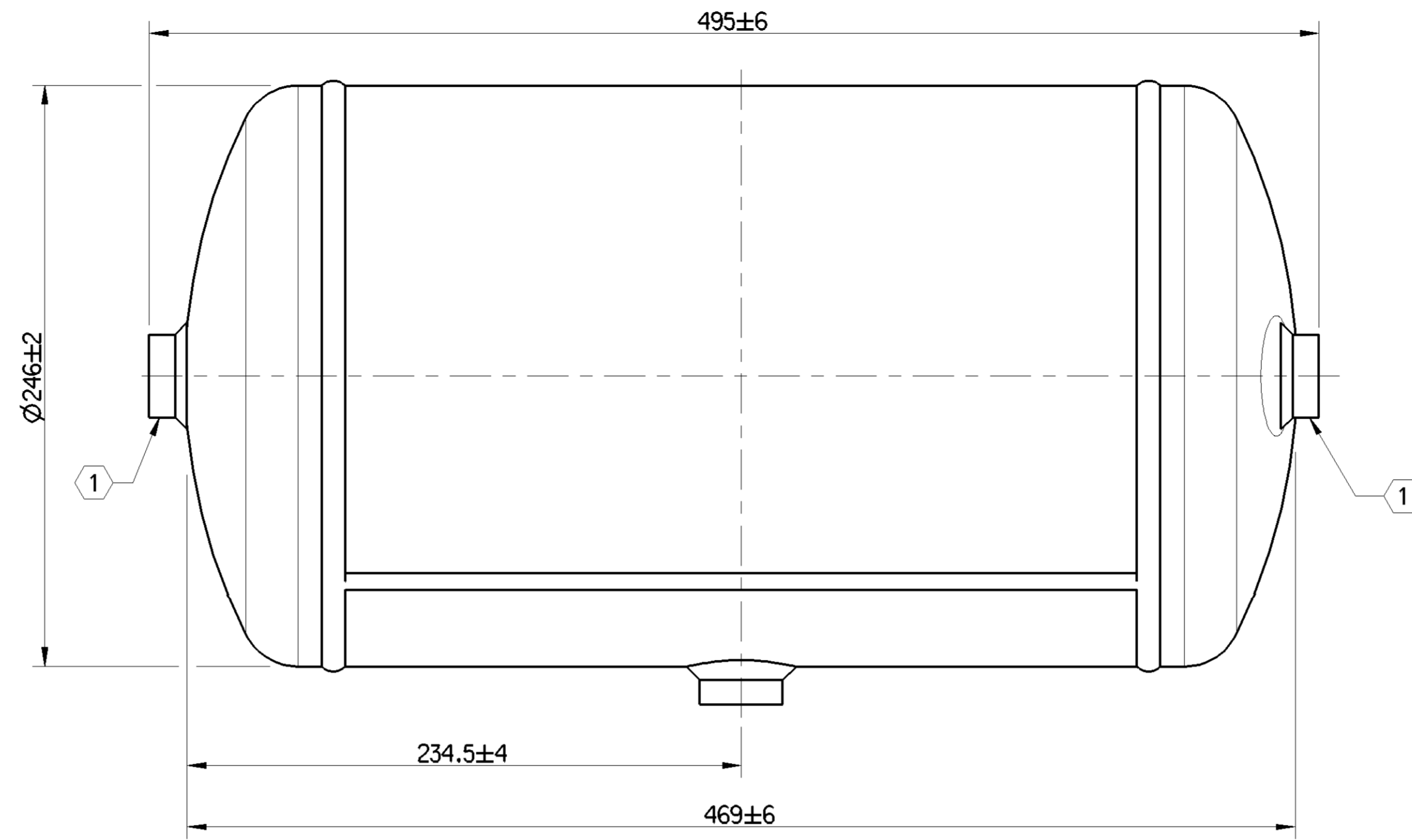
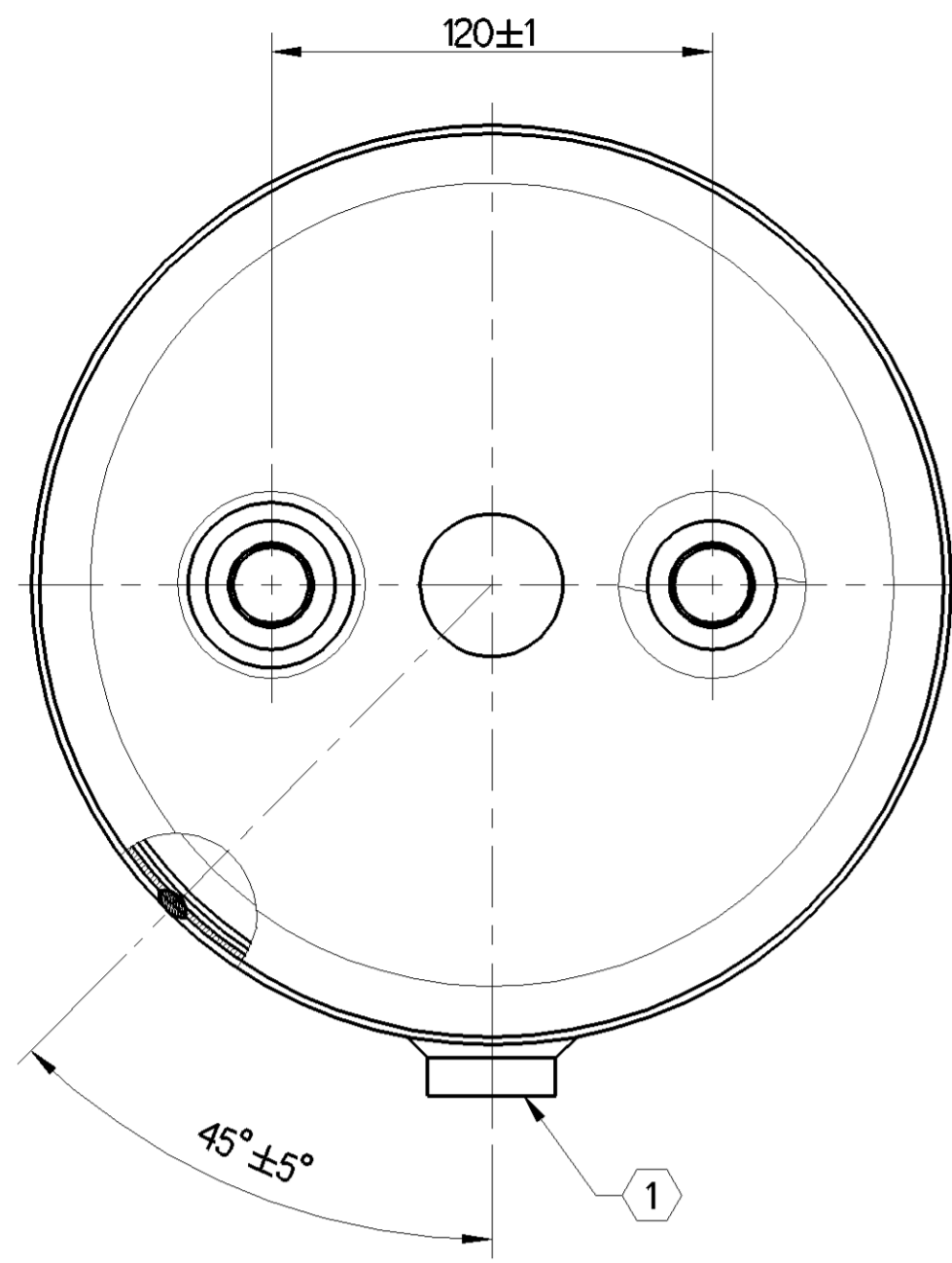
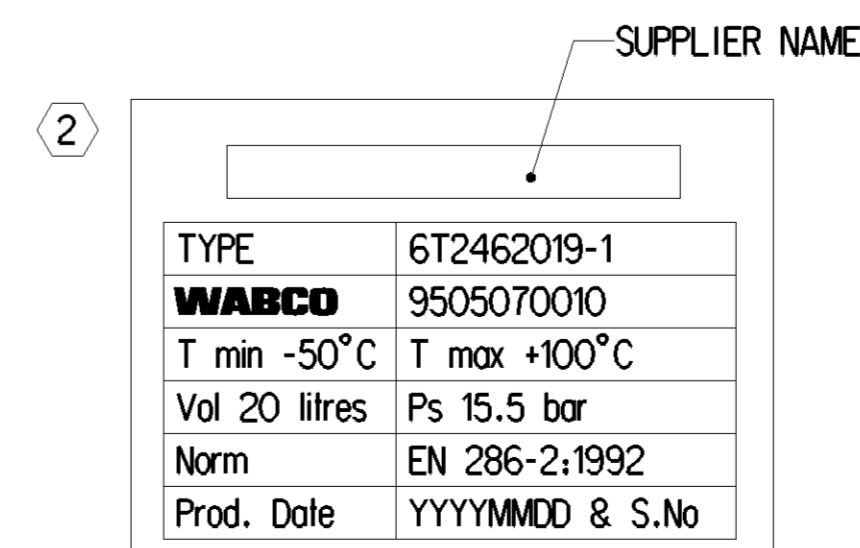


Non è permesso copiare o riprodurre questo documento, né utilizzare il contenuto o i dati contenuti in esso, senza permesso scritto dalla WABCO. È vietata espressamente la ristampa o l'uso di questo documento per scopi non autorizzati. Toute réimpression ou reproduction de ce document, sans autorisation de la WABCO, est formellement interdite. Toute utilisation non autorisée des données contenues dans ce document est formellement interdite.



- ① METRIC PORT M22x1.5 ACCORDING TO ISO 4039-2
 - ② IDENTIFICATION LABEL
- GENERAL SPECIFICATION ACCORDING TO EN 286-2

SL.NO.		NOTES
1	CAPACITY	20 Litres
2	WORKING PRESSURE	15.5 bar
3	TEMPERATURE RANGE	-50°C TO +100°C
4	MATERIAL	STEEL
5	SURFACE PROTECTION/COLOR:	PAINT / BLACK
6	EXTERNAL SURFACE PROTECTION	480 HOURS NSS TEST ACC. DIN EN ISO 9227
7	PERMISSIBLE INSTALLATION	DRAIN VALVE SHOULD FACE DOWNWARDS IN VEHICLE ASSEMBLY



General Specification: JED-334-1, Size ISO 14405 LP		Copyright WABCO®	
Further Technical Data:		Date	Signature
Doc. Code:	Sheet:	2020-08-12	Christosolomon D
General Tolerances JED-261		Checked:	
Range of Nominal Dimensions (± mm)		2020-08-13	
Class	1)	Expert	
Fine	0.5, 1.0, 1.5, 2.0	Schul Homed	
Medium	1.0, 2.0, 3.0, 4.0	Material No.	
Coarse	2.0, 3.5, 5.0, 6.5	950 507 001 0	
Tapped Holes acc. ISO 4039-2		Date of first issue: 2020-08-15	
1) Tolerance Class Applied: Crossmarked		Doc. Code Language Sheet	
		005 EN 1/1	
		Ech. No. Revision Techn. Resp. Replacement for	
		5060	

100mm