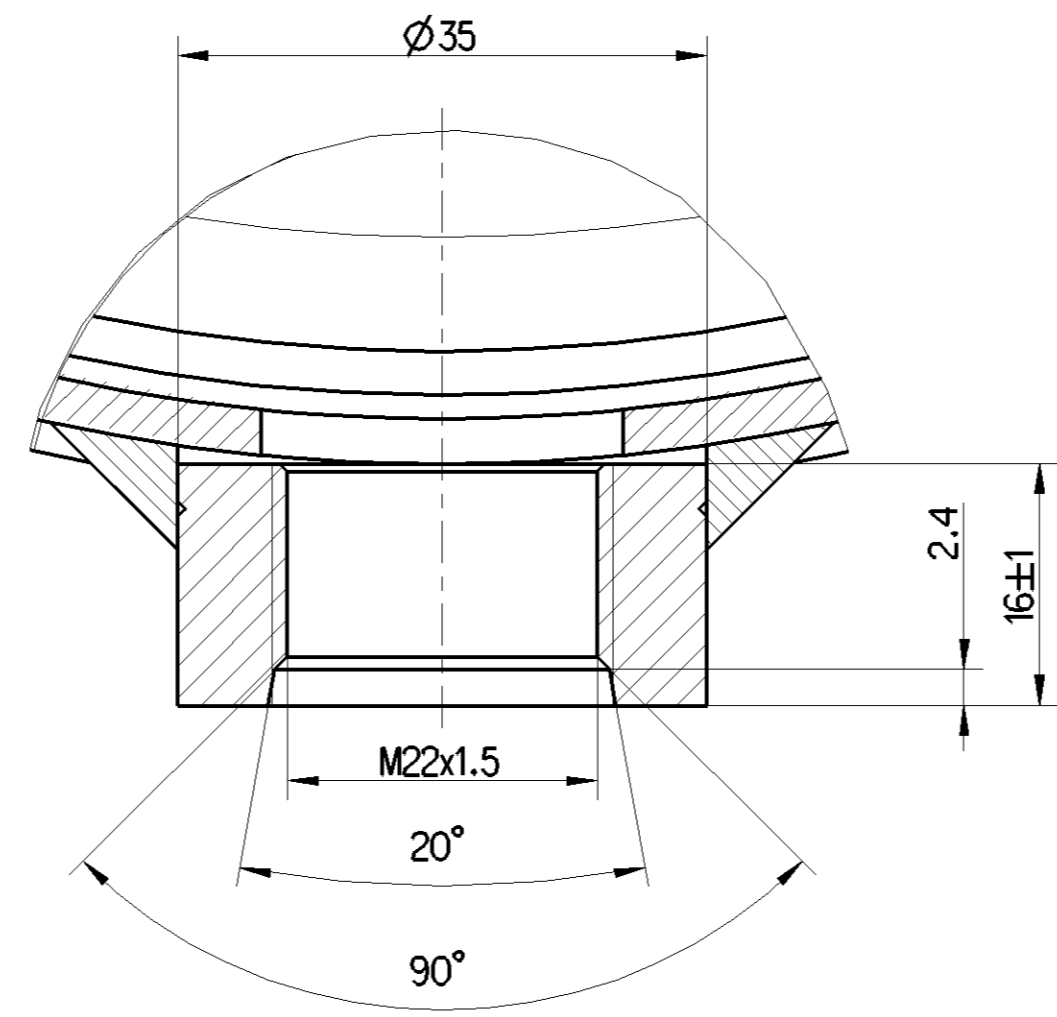
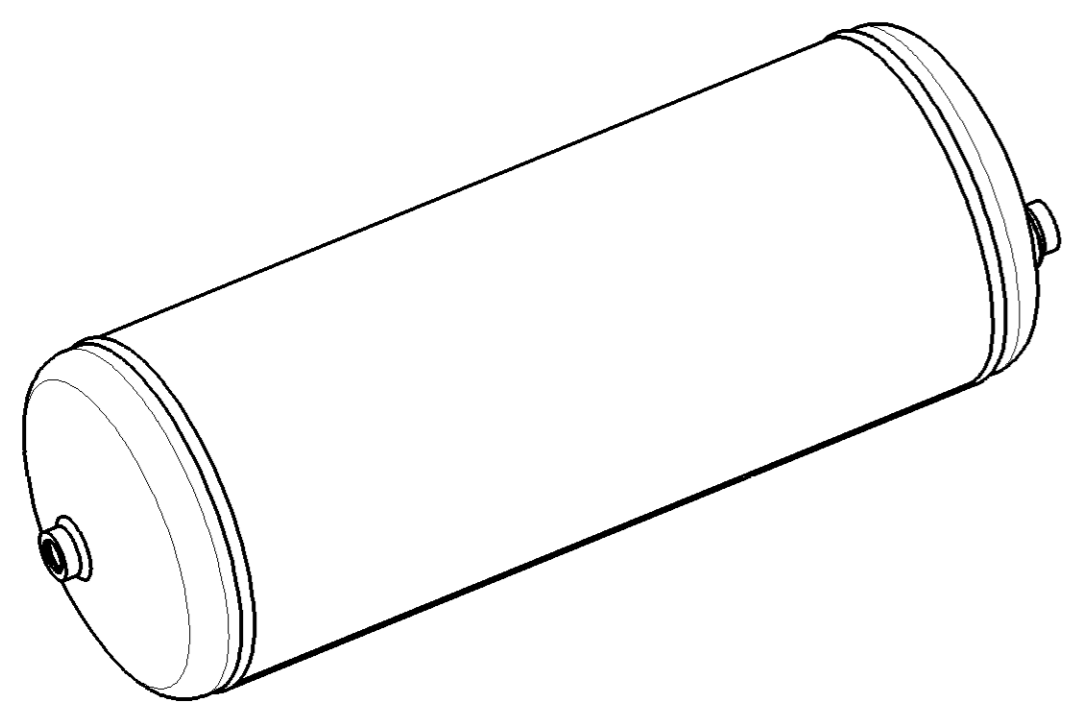
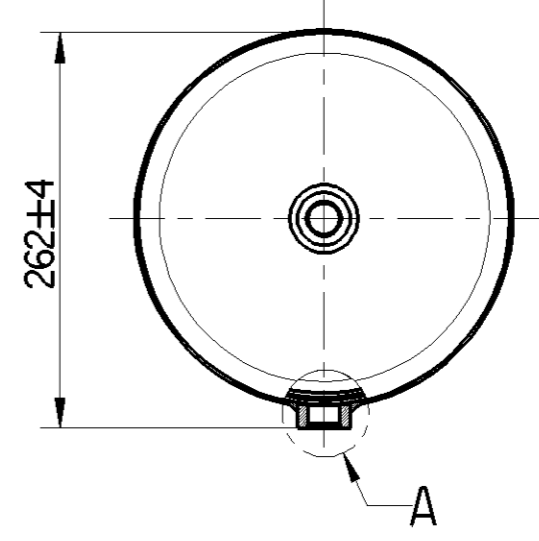
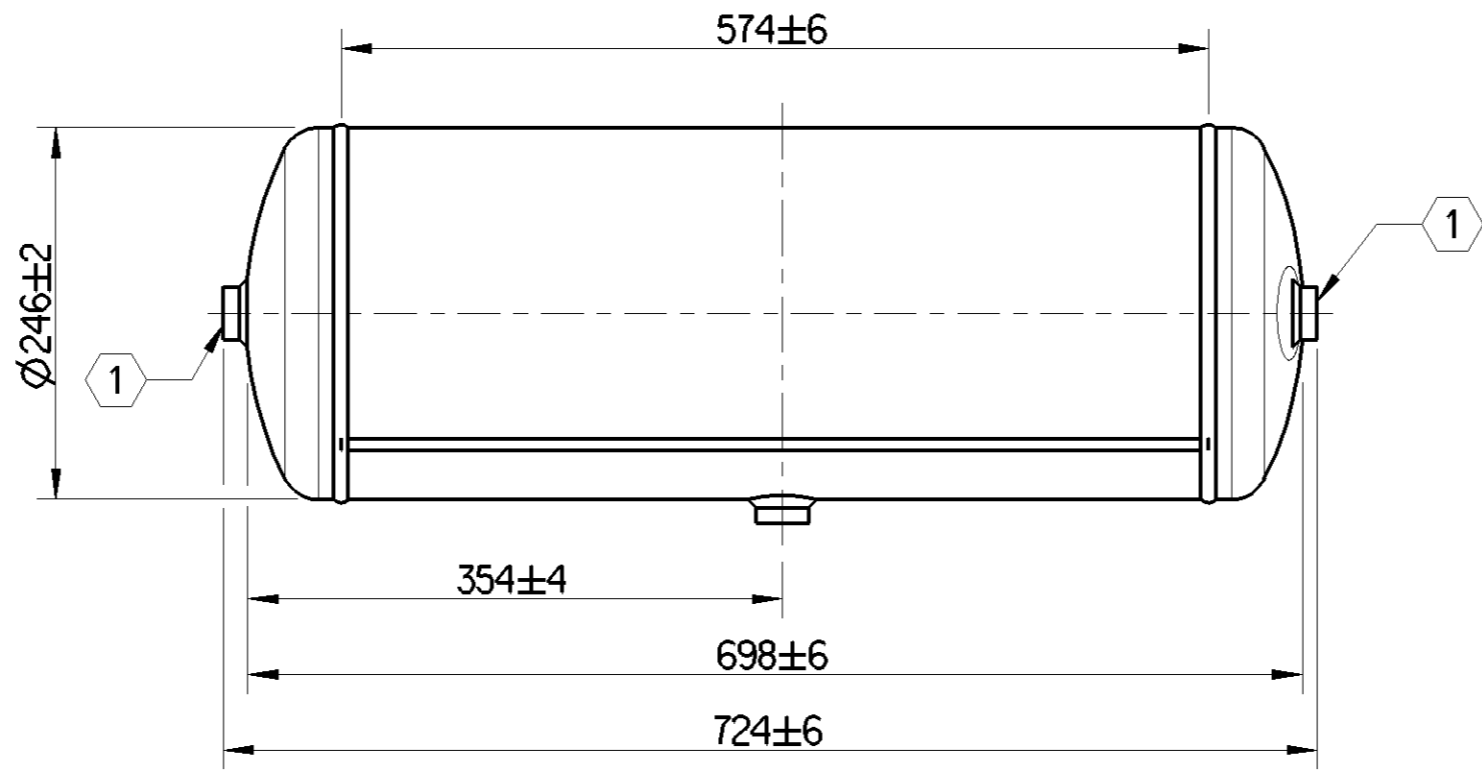
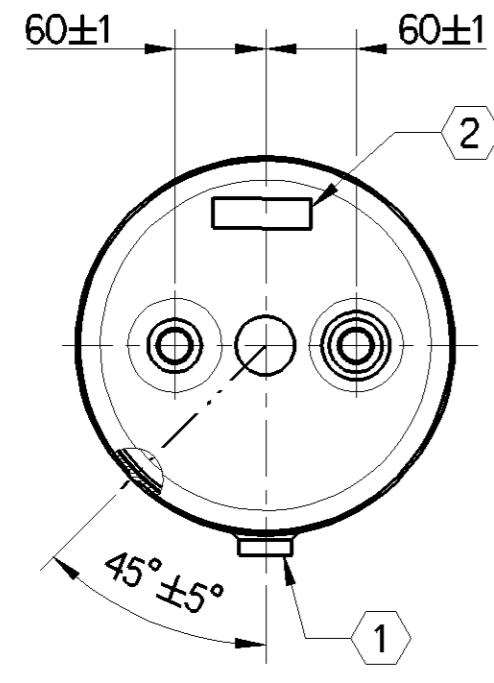


Non e permesso copiare o terzi o riprodurre questo documento, ne utilizzare il contenuto o renderlo comunque noto a terzi senza autorizzazione esplicita. Ogni infrazione costituisce un evidente abuso e comportera il risarcimento dei danni subiti. E' fatta riserva di tutti i diritti derivanti da brevetti o modelli.
 Toute communication ou reproduction de ce document, toute exploitation ou communication de son contenu sont interdites, sauf autorisation expresse. Tout manquement a cette regle constitue un abus evident et expose son auteur au versement de dommages et interets. Tous droits de proprieite industrielle reserves, notamment en matiere de brevets et de modesles.
 Alle Rechte hier, den Fall der Patenterteilung oder Gebrauchsmuster-Eintragung vorbehalten.



- ① METRIC PORT M22x1.5 ACCORDING TO ISO 4039-2
 - ② IDENTIFICATION LABEL
- GENERAL SPECIFICATION ACCORDING TO EN 286-2

A
2:1
4-PLACES

SL.NO.	NOTES	
1	CAPACITY	30 Litres
2	WORKING PRESSURE	12.5 bar
3	TEMPERATURE RANGE	-50°C TO +100°C
4	MATERIAL	ALUMINIUM
5	PERMISSIBLE INSTALLATION	DRAIN VALVE SHOULD FACE DOWNWARDS IN VEHICLE ASSEMBLY

SUPPLIER NAME

②

TYPE	6TA2463014-B-1
WABCO	9505309040
T min -50°C	T max +100°C
Vol 30 litres	Ps 12.5 bar
Norm	EN 286-2:1992
Prod. Date	YYYYMMDD & S.No

General Specification: JED-334-1, Size ISO 14405 LP		Copyright WABCO®		WABCO	
Further Technical Data:		Date	Signature		
Doc. Code	Sheet	To	Drawn	AIR RESERVOIR	
General Tolerances JED-261			2020-09-10		
Range of Nominal Dimensions (± mm)			Checked		Expert
Class	1)	≤ 50	> 50 ≤ 180	> 180 ≤ 400	
Fine		0.5	1.0	1.5	2.0
Medium		1.0	2.0	3.0	4.0
Coarse	X	2.0	3.5	5.0	6.5
Tapped Holes acc. ISO 4039-2			Sahul Homeed T		Material No.
1) Tolerance Class Applied Crossmarked			Mass	Scale	
			5.0	1:5	950 530 904 0
			kg	2:1	
			A 2	CREO	005
			ECN-No.		Language
			Revision		EN
			Techn. Resp.		1/1
			5060		Replacement for