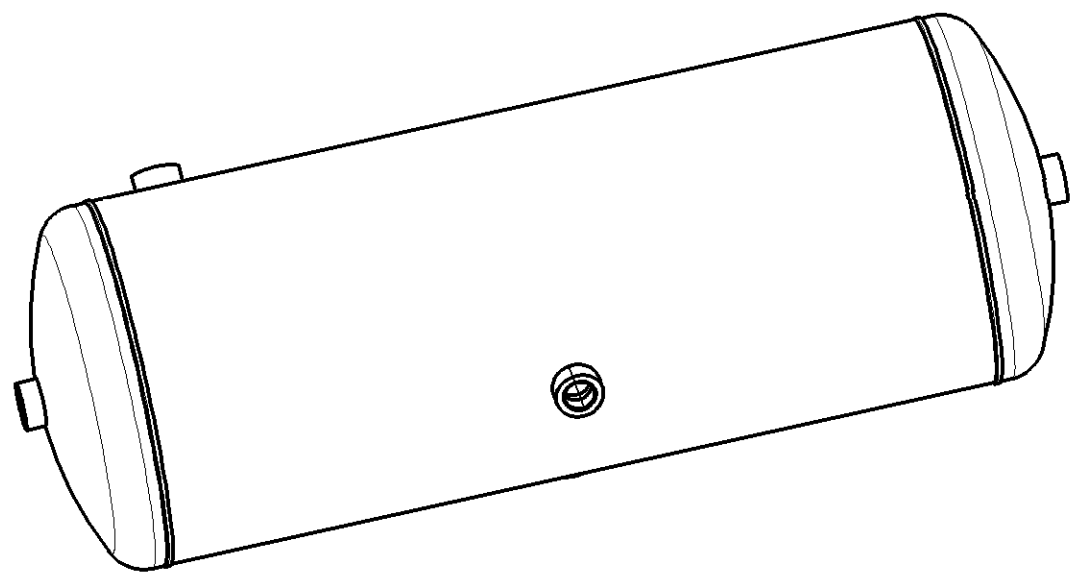
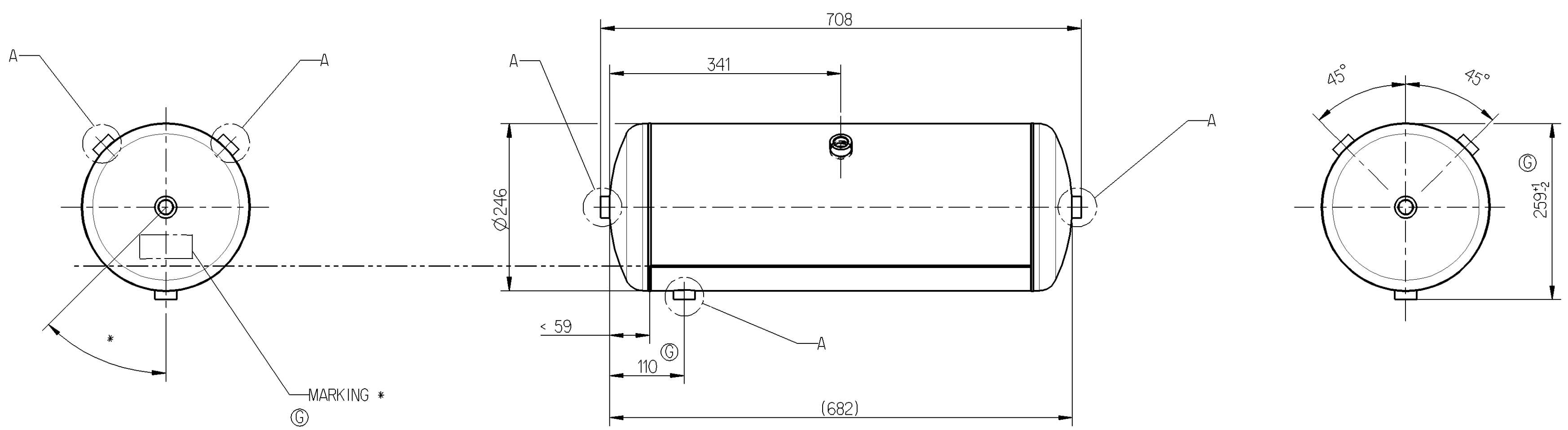
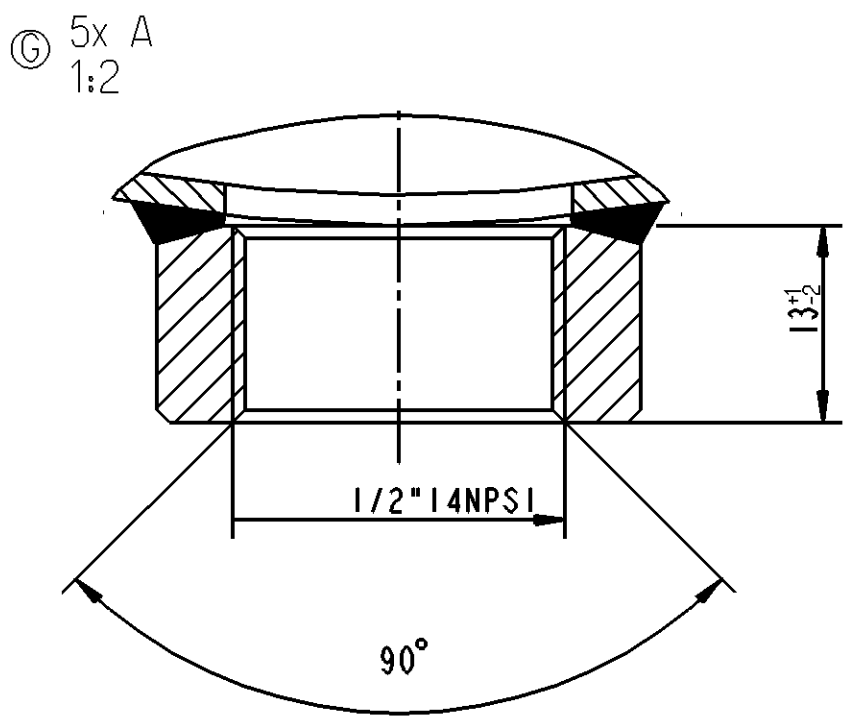


VOLUME: VOLUMEN: VOLUME: VOLUME:		30 L
WORKING PRESSURE: BETRIEBSDRUCK: PRESSION D'UTILISATION: PRESSIONE DI LAVORO:	Ps	12.5 BAR
TEMPERATURE RANGE: TEMPERATURBEREICH: PLAGE DE TEMPERATURES: CAMPO DI TEMPERATURA:	MIN/MAX	-50/100 °C
MATERIAL: WERKSTOFF: MATIERE: MATERIALE:		STEEL STAHL ACIER ACCIAIO
SURFACE PROTECTION/COLOR: OBERFLACHENSCHUTZ/FARBE: PROTECTION DE SURFACE/COULEUR: PROTEZIONE SUPERFICI/COLORE:		PAINT/BLACK LACK/SCHWARZ PEINTURE/NOIR VERNICE/NERO



* ACCORDING TO GENERAL SPECIFICATION (EN 286-2) ©

General Specification: JED-334-0		Copyright WABCO®		WABCO		
Further Technical Data:		Date	Signature	AIR RESERVOIR		
Doc. Code: Sheet: To		2010-04-06	Chamot	LUFTRBEHALTER		
General Tolerances JED-261		Checked		RESERVOIR D AIR		
Class 1) ≤ 50 > 50 ≤ 180 > 180 ≤ 400 > 400		2010-04-08 P. Mach		SERBATOIO D ARIA		
Range of Nominal Dimensions (± mm)		Expert		Date of first issue: 2007-12-15		
Fine	0.5 1.0 1.5 2.0	Material No.		Doc. Code Language Sheet		
Medium	1.0 2.0 3.0 4.0	950 630 002 0		005 ML 1/1		
Coarse	2.0 3.5 5.0 6.5	Size CAD System		ECN-No. Revision Techn. Resp. Replacement for		
Tapped Holes acc.		A 2 Pro/E		152306 5 G 5060		
1) Tolerance Class Applied Crossmarked		100mm				

Non e permesso consegnare o terzi o riprodurre questo documento, ne utilizzare il contenuto o renderlo comunque noto a terzi senza permesso scritto dalla WABCO. E' vietata espressamente la ristampa o l'uso non autorizzato di questo documento. E' fatto riserva di tutti i diritti, brevetti, marchi o modelli. Copying of this document and giving it to others and the use or communication of the contents thereof, are forbidden without express written permission from WABCO. This document is the property of WABCO and its contents are reserved in the event of the grant of patent or registration of a utility model or design. This document is the subject of copyright.

Toute communication ou reproduction de ce document, toute exploitation ou communication de son contenu sont interdites, sauf autorisation expresse. Tout manquement a cette regle constitue un abus evident et expose son auteur au versement de dommages et interets. Tous droits de propriété industrielle reserves, notamment en matière de brevets et de modèles. Weitergabe sowie Vervielfältigung dieser Unterlagen, Verwertung und Mitteilung ihres Inhalts nicht gestattet, soweit nicht ausdrücklich zugestanden. Zuwiderhandlungen stellen einen strafrechtlichen Missbrauch dar und verpflichten zu Schadensersatz. Alle Rechte für den Fall der Patentierung oder Gebrauchsmuster-Eintragung vorbehalten.