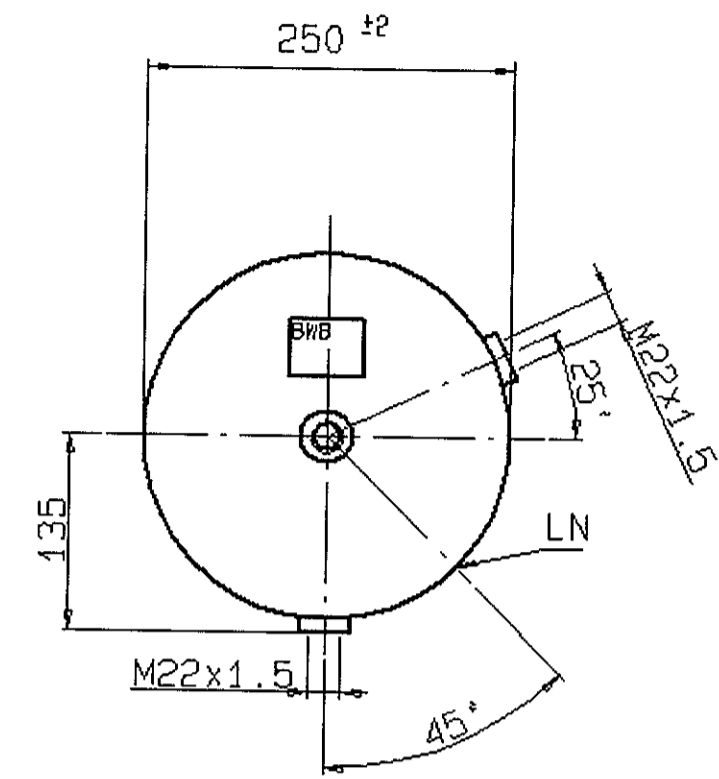
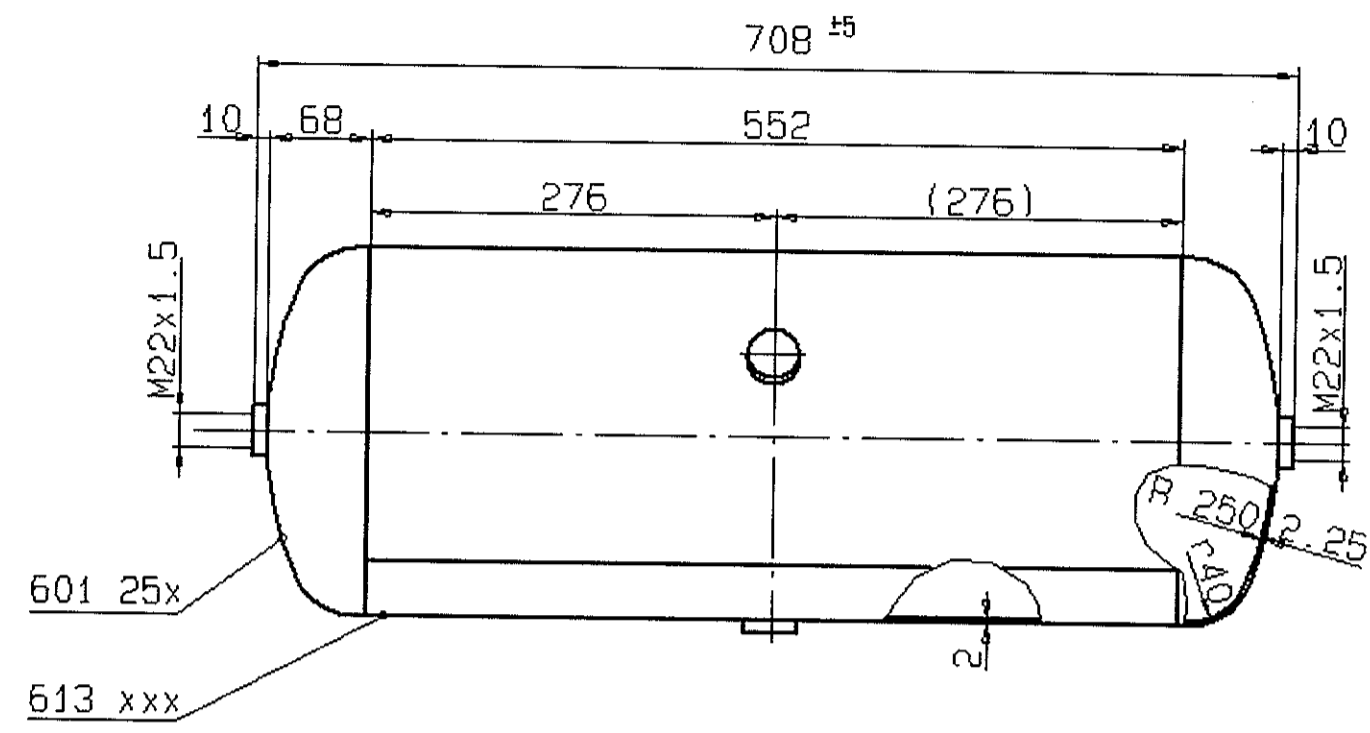


A

B

NON È PERMESSO COPIARE, A TITOLI O RIPRODURRE QUESTO DOCUMENTO, NE UTILIZZARE IL CONTENUTO O REF-
 ARSIO E CONVENIRE IL MISURAMENTO DEI DATI SU ALTRI. È FATTA RISERVA SU TUTTI I DIRITTI RESERVATI DA
 BREVETTI O MODELLI.
 NE PASSEZ PAS À REPRODUIRE CE DOCUMENT, NI À UTILISER SON CONTENU, NI À COMMUNIQUER LE
 DONTENUS. IL MONTAGE ET LE MONTREMENT SONT INTERDITS. TOUS DROITS DE PROPRIÉTÉ
 INDUSTRIELLE RÉSERVÉS. NOTamment EN MATIÈRE DE BREVETS ET DE MODELES.
 THIS DOCUMENT IS NOT TO BE REPRODUCED, COPIED OR USED IN ANY MANNER WITHOUT THE WRITTEN
 PERMISSION OF THE DESIGNER. ALL RIGHTS ARE RESERVED IN THE EVENT OF THE
 APPEARANCE OF PATENT OR REGISTRATION OF A UTILITY MODEL OR DESIGN. THIS DOCUMENT IS THE SUBJECT OF COPYRIGHT.

TUTTE LE COMUNICAZIONI DI PRESANZIONE O DI RICHIEDERE LA PRESENTAZIONE DI UN COMPLETO
 DOCUMENTO TECNICO, O IL CONTENUTO DI QUESTO DOCUMENTO, NON SONO PERMESSI. È FATTA RISERVA SU
 TUTTI I DIRITTI RESERVATI DA BREVETTI O MODELLI. È INTERDITTO IL MONTAGGIO E IL MONTREMENT
 SOTTO QUALSIASI FORMA. IL MONTREMENT SOTTO QUALSIASI FORMA È INTERDITTO. TOUS DROITS DE
 PROPRIÉTÉ INDUSTRIELLE RÉSERVÉS. NOTamment EN MATIÈRE DE BREVETS ET DE MODELES.
 THIS DOCUMENT IS NOT TO BE REPRODUCED, COPIED OR USED IN ANY MANNER WITHOUT THE WRITTEN
 PERMISSION OF THE DESIGNER. ALL RIGHTS ARE RESERVED IN THE EVENT OF THE
 APPEARANCE OF PATENT OR REGISTRATION OF A UTILITY MODEL OR DESIGN. THIS DOCUMENT IS THE SUBJECT OF COPYRIGHT.



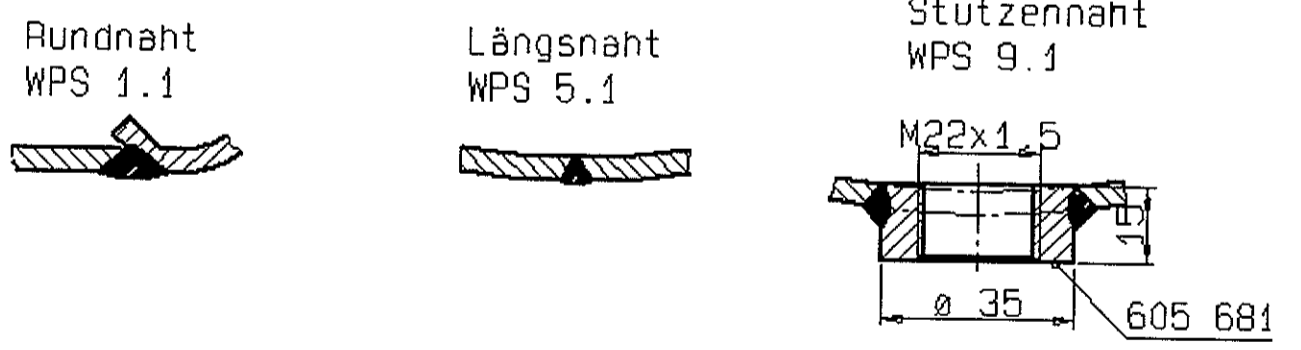
605 160
Klebeschild

BWB 89331
Burgau

391 402 **0036**

H-Nr. xxxxxx 20xx
V 30 J PS 10 bar
Tmax 100 °C Tmin -50 °C
K-SK 3320 EN 286-2/1992

WABCO 950 630 005 0



Inhalt: 30 l
Prüfdruck: 15 bar

Werkstoff: Mantel: S1 (P 235 S EN 10207) 3.1B EN 10204
 Boden: S1 (P 235 S EN 10207) 3.1B EN 10204
 Stützen: S 235 JR 62 EN 10025 3.1B EN 10204
 Anschweißteile: S 235 JR (bzw. S 1)

Berechnungsgrundlage: AD-Regelwerk in Verbindung mit RL 87/404
 Schweißzulassung: DIN EN 287 / DIN EN 288
 Schweißausführung: DIN EN 25817 Bewertungsgruppe 8
 Arbeits- und zerstörungsfreie Prüfungen: AD HP 5-2 und HP 5/3

Oberflächenschutz: innen: 2K-EP-Einbrennlack RAL 3009 404 501
 außen: Pulverlack RAL 9005 404 581

Abnahme: Konformitätserklärung

Urneberschutz nach DIN 34, Zuwer- handl. verpflichtet zu Schadenersatz		ISO E	Allgemeintoleranzen Toleranzklasse C	Kunde: Wabco France															
		Verteiler: AW	<table border="1"> <tr> <td>>2</td> <td>>30</td> <td>>120</td> <td>>400</td> <td>>1000</td> </tr> <tr> <td>B ±1</td> <td>±2</td> <td>±3</td> <td>±4</td> <td>±6</td> </tr> <tr> <td>C ±1</td> <td>±3</td> <td>±4</td> <td>±6</td> <td>±8</td> </tr> </table>	>2	>30	>120	>400	>1000	B ±1	±2	±3	±4	±6	C ±1	±3	±4	±6	±8	Runde-Nr.: 950 630 005 0
>2	>30	>120	>400	>1000															
B ±1	±2	±3	±4	±6															
C ±1	±3	±4	±6	±8															
2002	Datum	Name	Benennung																
Bearb:	09.09.	Reichle	Druckluftbehälter für Kraftfahrzeuge																
Gepr:			30 l - ø 250 - 10 bar																
			Auszug aus K-SK 3320																
A 0			Zeichn.-/Art.-Nr.:	391 402															
Rev1	Änderung	Datum	Zeichen	Urspr:															
				Ers.f.:															
				Ers.d.:															

BWB PART No. 391402

GENERAL SPECIFICATION: JED-334-0		Pro/ENGINEER DRAWING COPYRIGHT		WABCO	
FURTHER TECHNICAL DATA:		DATE: 09-Oct-02		SIGNATURE: J.M.Hall	
DOC. CODE: 950 630 005 0		SHEET: 2/2		DRAWN: J.M.Hall	
GENERAL TOLERANCES		CHECKED: N.T. INICLO		EXPERT CODE: 319	
RANGE OF NOMINAL DIMENSIONS (± mm)		PRODUCT IDENTIFICATION NO.		DOC. CODE: 605	
CLASS	1) ≤ 50	> 50 > 180	≤ 180 ≤ 400	> 400	SHEET: 2/2
FINE	0.5	1.0	1.5	2.0	
MEDIUM	1.0	2.0	3.0	4.0	
COARSE	2.0	3.5	5.0	6.5	
TAPPED HOLES ACC. ISO 4039 / JED-152		302215 - E 01/10/02		SIZE: 300	
1) TOLERANCE CLASS APPLIED CROSSMARKED		DCN-NO. REV. DATE		FUNCTION CODE: 5060	
				SHAPE CODE: 003	
				PRODUCT TYPE: <input checked="" type="checkbox"/>	
				REPLACEMENT FOR	