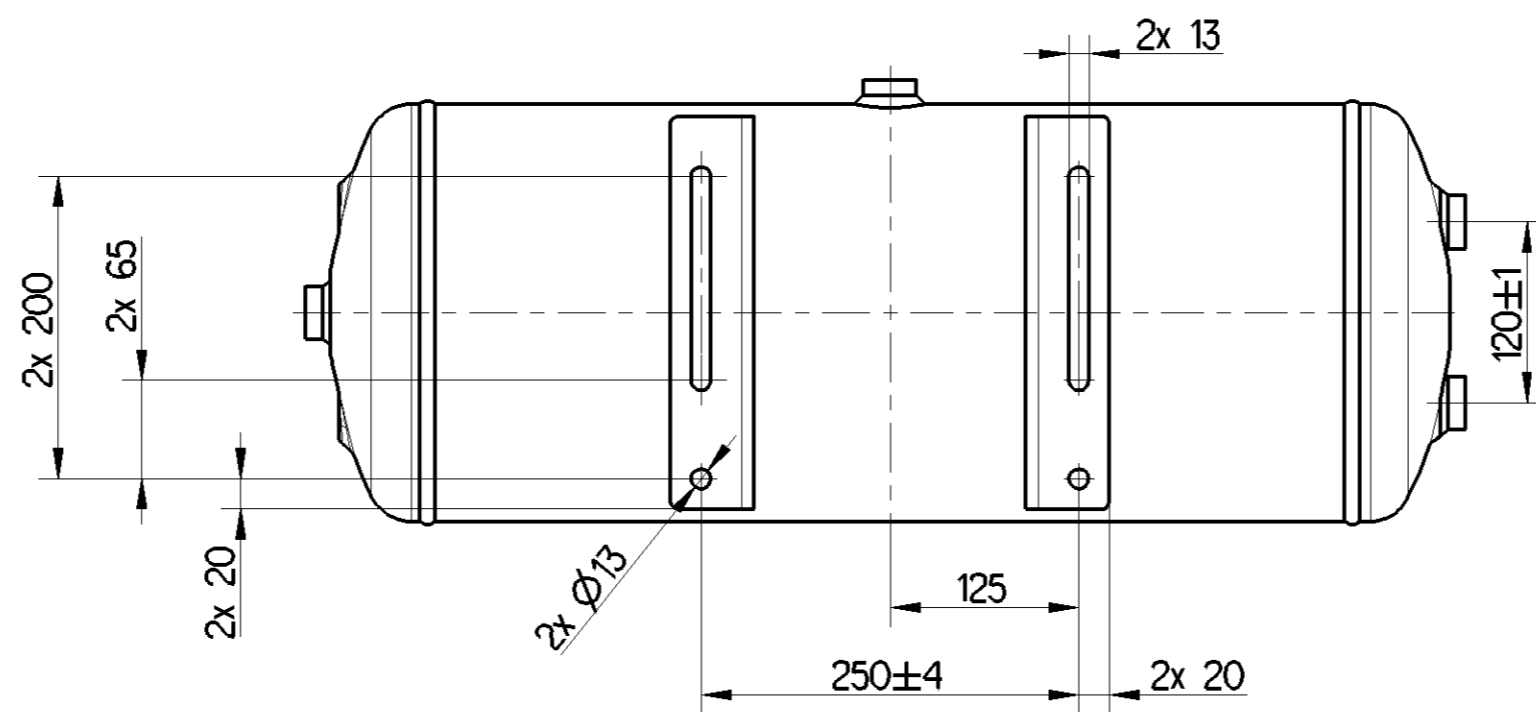


A
1:1
A 5 PLACES



- 1 METRIC PORT M22x1.5, COMPATIBLE FOR METRIC FACE SEALING
- 2 PART IDENTIFICATION LABEL

GENERAL SPECIFICATION ACCORDING TO EN 286-2:1992

SUPPLIER NAME

TYPE	9T2764001-1
WABCO	950 740 000 0
T min -50°C	T max +100°C
Vol. 40 litres	Ps 12.5 bar
Norm.	EN 286-2:1992
Prod. Date	YYMMDD & S.No

SL.NO.	NOTES	
1	CAPACITY	40 Litres
2	WORKING PRESSURE	12.5 bar
3	TEMPERATURE RANGE	-50°C TO +100°C
4	MATERIAL	STEEL
5	PERMISSIBLE INSTALLATION	DRAIN VALVE SHOULD FACE DOWNWARDS IN VEHICLE ASSEMBLY
6	RECOMMENDED MOUNTING PITCH	250x200 mm
7	VIBRATION SPECIFICATION FOR THE RECOMMENDED MOUNTING PITCH	FREQUENCY 25 Hz ACCELERATION 6g

General Specification: JED-334-1, Size ISO 14405 LP		Copyright WABCO®		WABCO	
Further Technical Data:		Date	Signature	AIR RESERVOIR	
Doc. Code:	Sheet: To	2020-12-29	Christosolomon D		
General Tolerances JED-261		Checked	2020-12-29	Rohinikumar T	
Range of Nominal Dimensions (± mm)		Expert		Schul Homeed	
Class 1)	≤ 50 > 50 ≤ 180 > 180 ≤ 400 > 400	Material No.		Date of first issue: 2019-10-16	
Fine	±0.5 ±1.0 ±1.5 ±2.0	Mass	Scale	950 740 000 0	
Medium	±1.0 ±2.0 ±3.0 ±4.0	13.5 KG	1:5	Doc.Code	Language
Coarse	±2.0 ±3.5 ±5.0 ±6.5	Size	1:1	005	EN
Tapped Holes acc. ISO 4039-1		Size	CAD System	Techn. Resp.	Sheet
1) Tolerance Class Applied Crossmarked		A 2	CREO	5060	1/1
		ECN-No.	Revision	Replacement for	
		506601	2x A		

Non e permesso copiare, o terzi o riprodurre questo documento, ne utilizzare il contenuto o renderlo comunque noto a terzi senza autorizzazione esplicita. Ogni infrazione costituisce un evidente abuso e comporterà il risarcimento dei danni subiti. E' fatta riserva di tutti i diritti derivanti da brevetti o modelli.
 Copying of this document and giving it to others and the use or communication of the contents thereof, are forbidden without express authority. Contravention of this restriction will constitute an evident abuse and result in a liability to the payment of damages. All rights are reserved in the event of the grant of patent or registration of a utility model or design. This document is the subject of copyright.
 Toute communication ou reproduction de ce document, toute exploitation ou communication de son contenu sont interdites, sauf autorisation expresse. Tout manquement a cette regle constitue un abus evident et expose son auteur au versement de dommages et interets. Tous droits de proprieite industrielle reserves, notamment en matiere de brevets et de modesles.
 Weitergabe sowie Vervielfältigung dieses Urteiles, Verwertung und Mitteilung desselben ist nicht gestattet, soweit nicht ausdrücklich ansonsten, zu wiederholenden Malen, ausdrücklich gestattet. Missbrauch der und Verpflichten zu Schadensersatz. Alle Rechte hier den Fall der Patenterteilung oder Gebrauchsmuster-Eintragung vorbehalten.

Non e permesso copiare, o terzi o riprodurre questo documento, ne utilizzare il contenuto o renderlo comunque noto a terzi senza autorizzazione esplicita. Ogni infrazione costituisce un evidente abuso e comporterà il risarcimento dei danni subiti. E' fatta riserva di tutti i diritti derivanti da brevetti o modelli.
 Copying of this document and giving it to others and the use or communication of the contents thereof, are forbidden without express authority. Contravention of this restriction will constitute an evident abuse and result in a liability to the payment of damages. All rights are reserved in the event of the grant of patent or registration of a utility model or design. This document is the subject of copyright.
 Toute communication ou reproduction de ce document, toute exploitation ou communication de son contenu sont interdites, sauf autorisation expresse. Tout manquement a cette regle constitue un abus evident et expose son auteur au versement de dommages et interets. Tous droits de proprieite industrielle reserves, notamment en matiere de brevets et de modesles.
 Weitergabe sowie Vervielfältigung dieses Urteiles, Verwertung und Mitteilung desselben ist nicht gestattet, soweit nicht ausdrücklich ansonsten, zu wiederholenden Malen, ausdrücklich gestattet. Missbrauch der und Verpflichten zu Schadensersatz. Alle Rechte hier den Fall der Patenterteilung oder Gebrauchsmuster-Eintragung vorbehalten.