

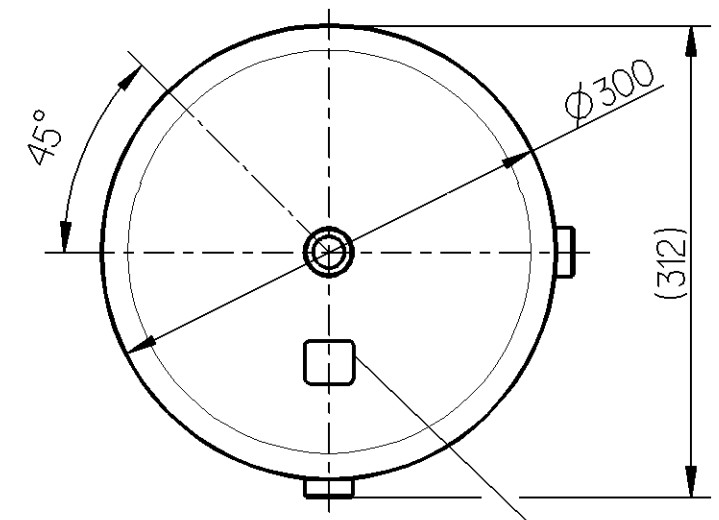
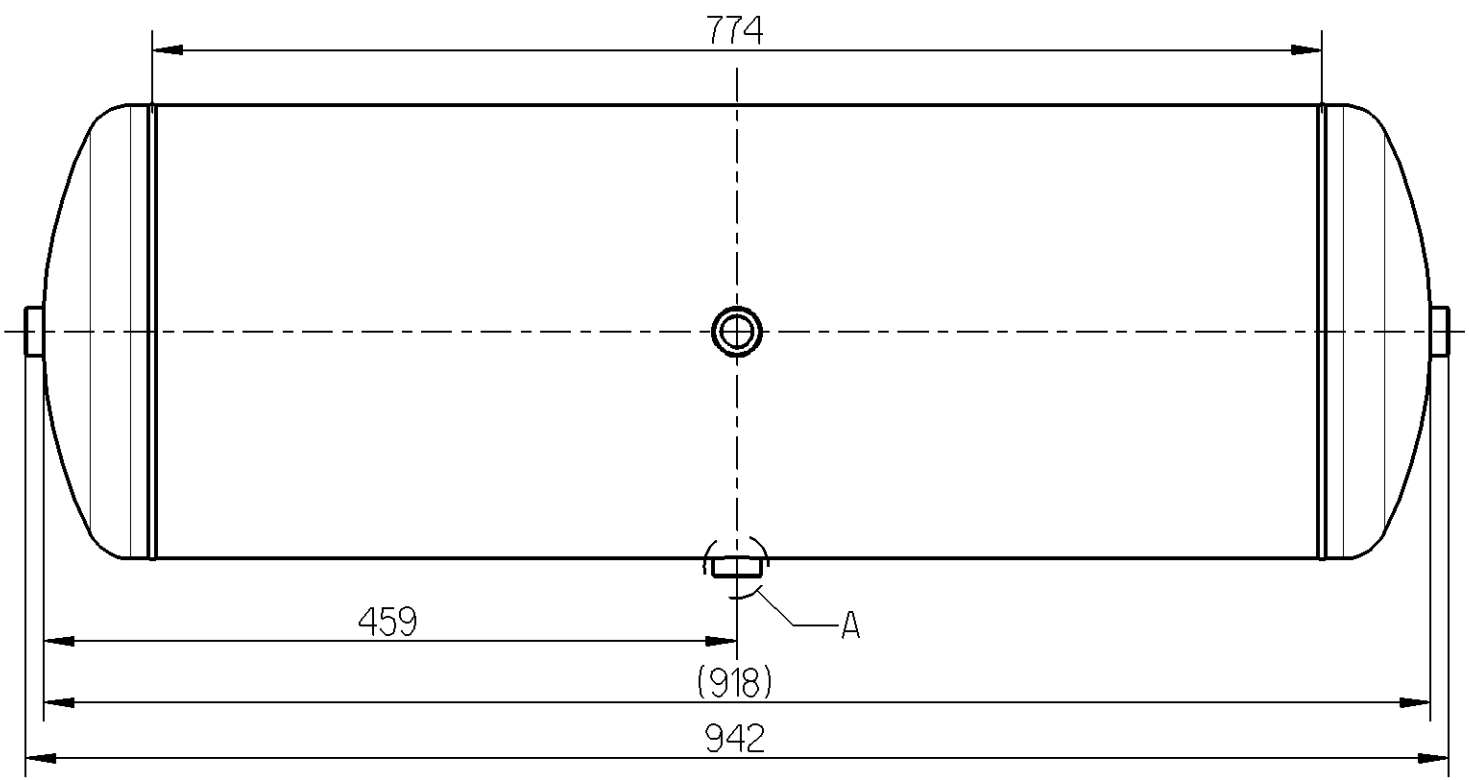
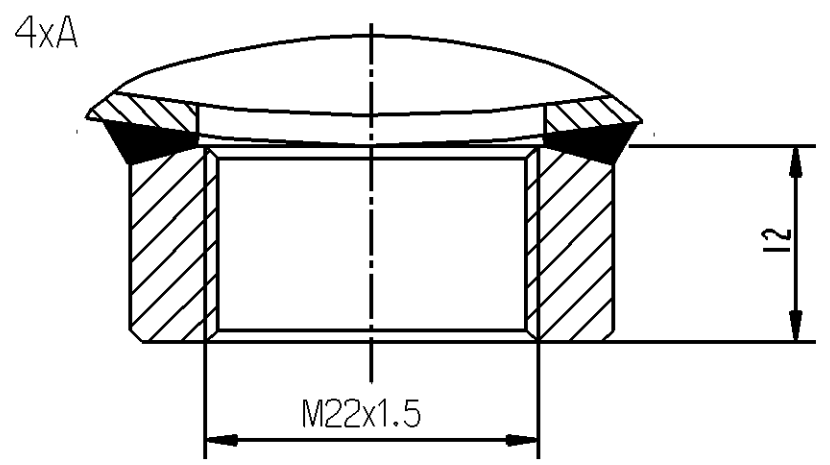
Non e permesso consegnare a terzi o riprodurre questo documento, ne utilizzare il contenuto o renderlo comunque noto a terzi senza autorizzazione esplicita. Ogni infrazione costituira un evidente abuso e comportera il risarcimento dei danni subiti. E' fatta riserva di tutti i diritti derivanti da brevetti o modelli.

Toute communication ou reproduction de ce document, toute exploitation ou communication de son contenu sont interdites, sauf autorisation expresse. Tout manquement a cette regle constitue un abus evident et expose son auteur au versement de dommages et interets. Tous droits de proprieete industrielle reserves, notamment en matiere de brevets et de modesles.

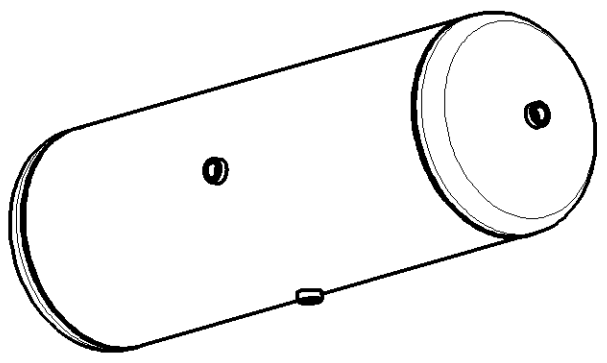
Copying of this document and giving it to others and the use or communication of the contents thereof, are forbidden without express authority. Contravention of this restriction will constitute an evident abuse and result in a liability to the payment of damages. All rights are reserved in the event of the grant of patent or registration of a utility model or design. This document is the subject of copyright.

Weitergabe sowie Vervielfaeltigung dieser Unterlage, Verwertung und Mitteilung ihres Inhalts nicht gestattet, soweit nicht ausdruendlich zugestanden. Zuwiderhandlungen stellen einen offensichtlichlichen Missbrauch dar und verpflichten zu Schadensersatz. Alle Rechte fuer den Fall der Patenterteilung oder Gebrauchsmuster-Eintragung vorbehalten.

VOLUME: VOLUMEN: VOLUME: VOLUME:		60 L
WORKING PRESSURE: BETRIEBSDRUCK: PRESSION D'UTILISATION: PRESSIONE DI LAVORO:		Ps 12,5 BAR
TEMPERATURE RANGE: TEMPERATURBEREICH: PLAGE DE TEMPERATURES: CAMPO DI TEMPERATURA:		MIN/MAX -50/100 °C
MATERIAL: WERKSTOFF: MATIERE: MATERIALE:		STEEL STAHL ACIER ACCIAIO
SURFACE PROTECTION/COLOR: OBERFLACHENSCHUTZ/FARBE: PROTECTION DE SURFACE/COULEUR: PROTEZIONE SUPERFICI/COLORE:		PAINT/BLACK LACK/SCHWARZ PEINTURE/NOIR VERNICE/NERO



* ACCORDING TO GENERAL SPECIFICATION (EN 286-2)



General Specification: JED-334-0, EN 286-2		Copyright WABCO®		WABCO		
Further Technical Data:		Date	Signature			
Doc. Code:		Sheet: To		AIR RESERVOIR		
General Tolerances JED-261		2011-07-06		Kopciuch		
Range of Nominal Dimensions (± mm)		Checked		2011-07-11		
Class 1)	≤ 50	> 50 ≤ 180	> 180 ≤ 400	> 400	Expert	
Fine	0.5	1.0	1.5	2.0	Chamot	
Medium	1.0	2.0	3.0	4.0	Mass	Scale
Coarse	X 2.0	3.5	5.0	6.5	17,5 KG	1:5
Tapped Holes acc. ISO 4039 / JED-152		Size		CAD System		Material No.
1) Tolerance Class Applied Crossmarked		A 3		Pro/E		950 860 004 0
		ECN-No.		Revision		Date of first issue: 2007-09-06
		155874		D		Doc.Code Language Sheet
		Techn. Resp.		5060		005 ML 1/1
		Replacement for				