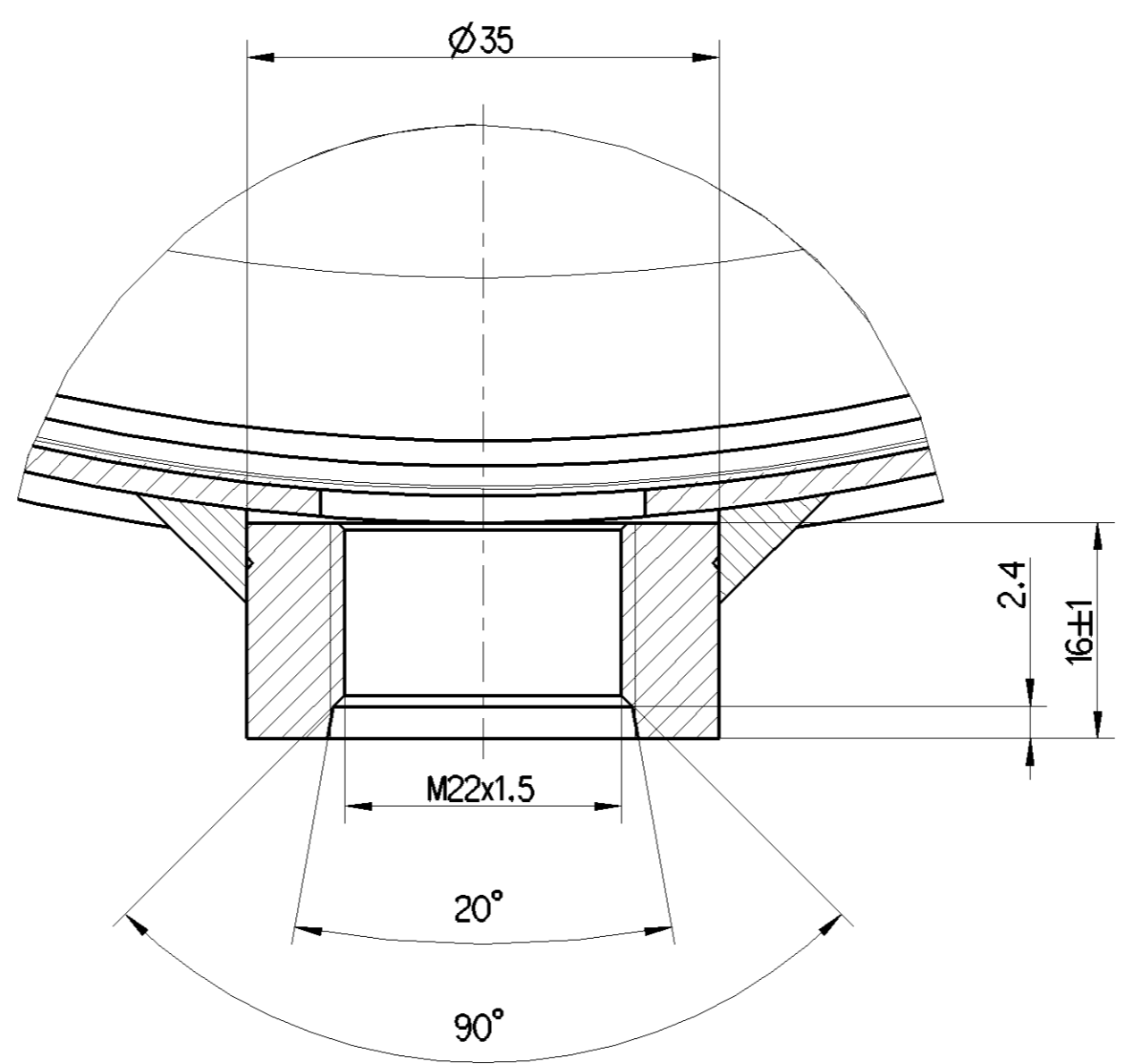
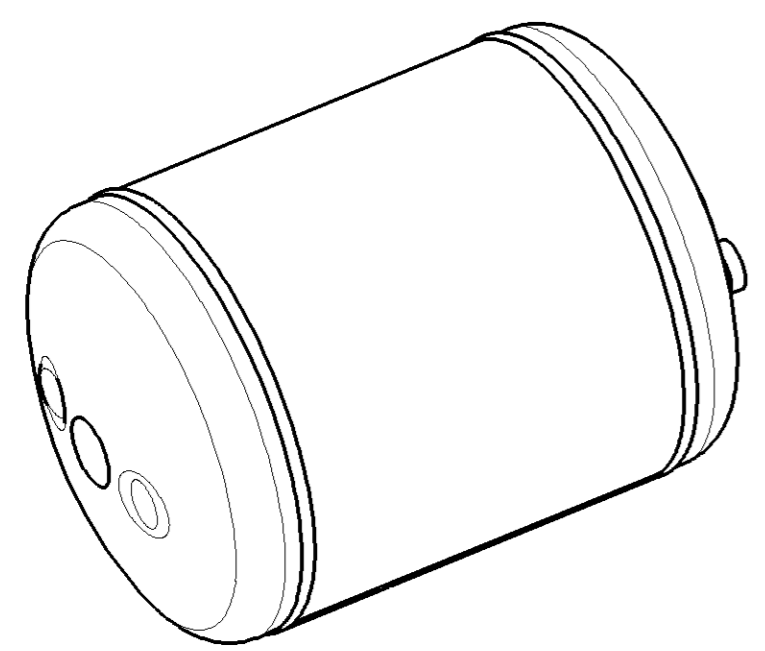
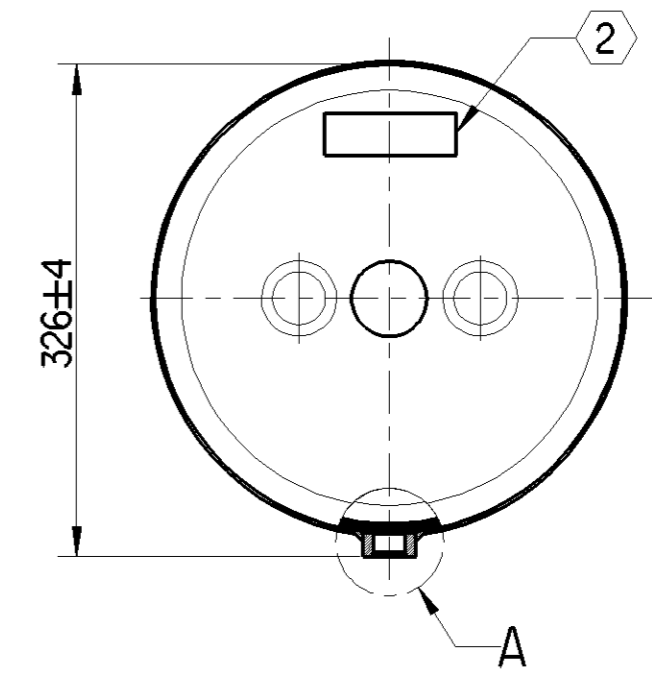
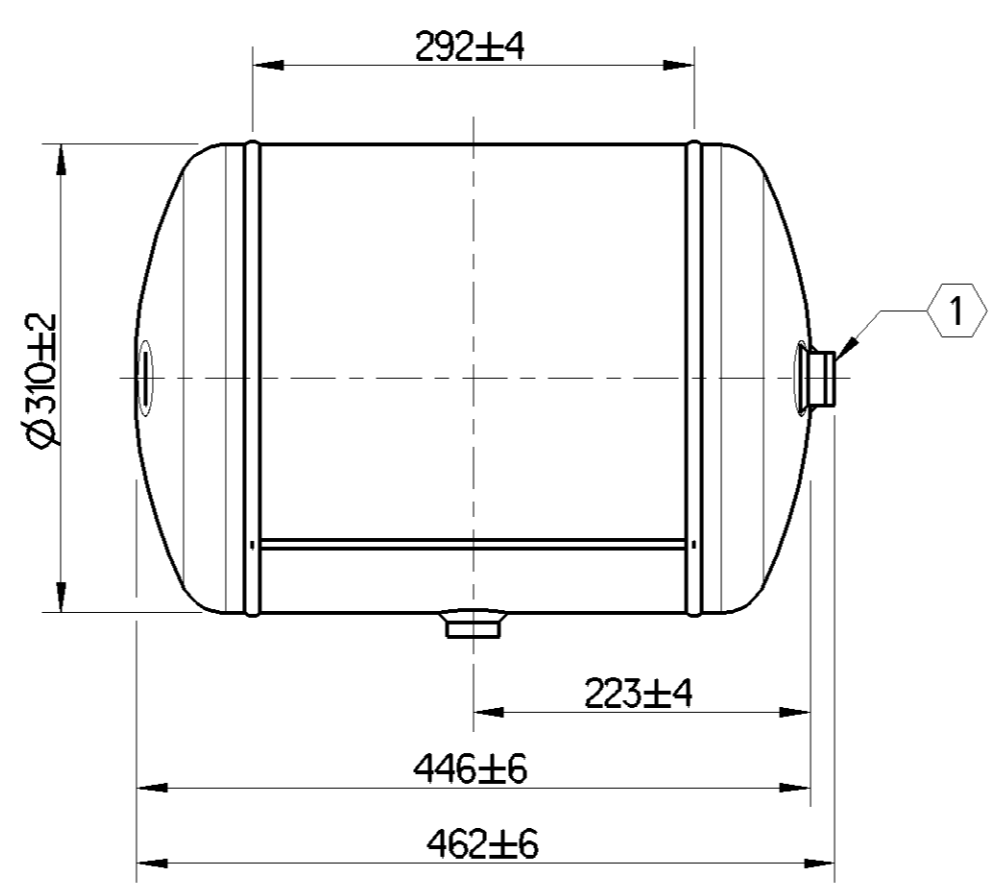
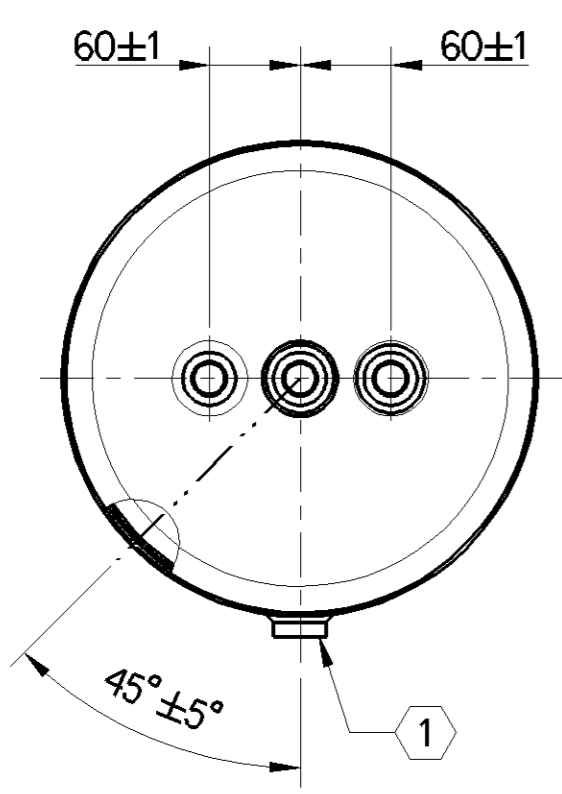


Non e permesso copiare, o terzi o riprodurre questo documento, ne utilizzare il contenuto o renderlo comunque noto a terzi senza autorizzazione esplicita. Ogni infrazione costituisce un evidente abuso e comportera il risarcimento dei danni subiti. E' fatta riserva di tutti i diritti derivanti da brevetti o modelli.

Copying of this document and giving it to others and the use or communication of the contents thereof, are forbidden without express authority. Contravention of this restriction will constitute an evident abuse and result in a liability to the payment of damages. All rights are reserved in the event of the grant of patent or registration of a utility model or design. This document is the subject of copyright.

Toutte communication ou reproduction de ce document, toute exploitation ou communication de son contenu sont interdites, sauf autorisation expresse. Tout manquement a cette regle constitue un abus evident et expose son auteur au versement de dommages et interets. Tous droits de proprieete industrielle reserves, notamment en matiere de brevets et de modesles.

Weitergabe sowie Vervielfältigung dieser Unterlagen, Verleihen und Mitteilen ihres Inhalts nicht gestattet, soweit nicht ausdrücklich ansonsten, zweckmäßigem, schriftlichem, ausdrücklichen, Missbrauch dar und verpflichtet zu Schadensersatz. Alle Rechte hier den Fall der Patentierung oder Gebrauchsmuster-Eintragung vorbehalten.



- 1 METRIC PORT M22x1.5 ACCORDING TO ISO 4039-2
 - 2 IDENTIFICATION LABEL
- GENERAL SPECIFICATION ACCORDING TO EN 286-2

A
2:1
4-PLACES

SUPPLIER NAME

TYPE		6T3103003-1	
WABCO		9509300000	
T min	-50°C	T max	+100°C
Vol	30 litres	Ps	12.5 bar
Norm	EN 286-2:1992		
Prod. Date	YYYYMMDD & S.No		

SL.NO.		NOTES
1	CAPACITY	30 Litres
2	WORKING PRESSURE	12.5 bar
3	TEMPERATURE RANGE	-50°C TO +100°C
4	MATERIAL	STEEL
5	SURFACE PROTECTION/COLOR:	PAINT / BLACK
6	EXTERNAL SURFACE PROTECTION	480 HOURS NSS TEST ACC. DIN EN ISO 9227
7	PERMISSIBLE INSTALLATION	DRAIN VALVE SHOULD FACE DOWNWARDS IN VEHICLE ASSEMBLY

General Specification: JED-334-1, Size ISO 14405 LP		Copyright WABCO®		WABCO	
Further Technical Data:		Date	Signature	AIR RESERVOIR	
Doc. Code	Sheet	To	Drawn	2020-09-04 Christosolomon D	
General Tolerances JED-261		Checked	Expert	2020-09-11 Rohinkumar T	
Range of Nominal Dimensions (± mm)		Sahul Homeed T		Material No.	
Class	1)	≤ 50	> 50 ≤ 180	> 180 ≤ 400	> 400
Fine		0.5	1.0	1.5	2.0
Medium		1.0	2.0	3.0	4.0
Coarse	X	2.0	3.5	5.0	6.5
Tapped Holes acc. ISO 4039-2		Mass	Scale	Date of first issue: 2020-09-11	
1) Tolerance Class Applied Crossmarked		9.0	1:5	950 930 000 0	
		Size	CAD System	Doc.Code	Language
		A 2	CREO	005	EN
		ECN-No.		Revision	Techn. Resp.
		-		-	5060
		Replacement for		-	

100mm