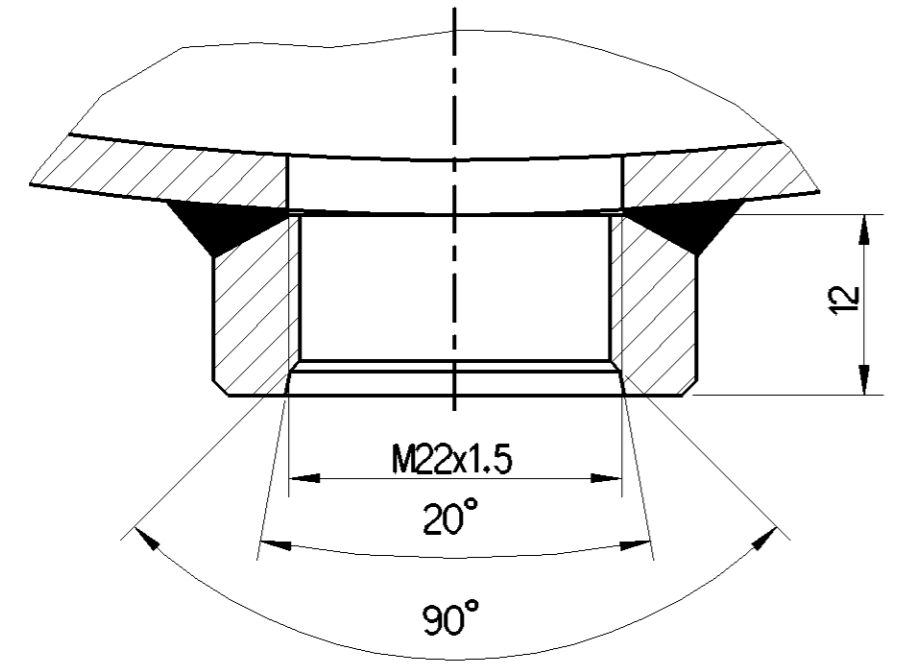
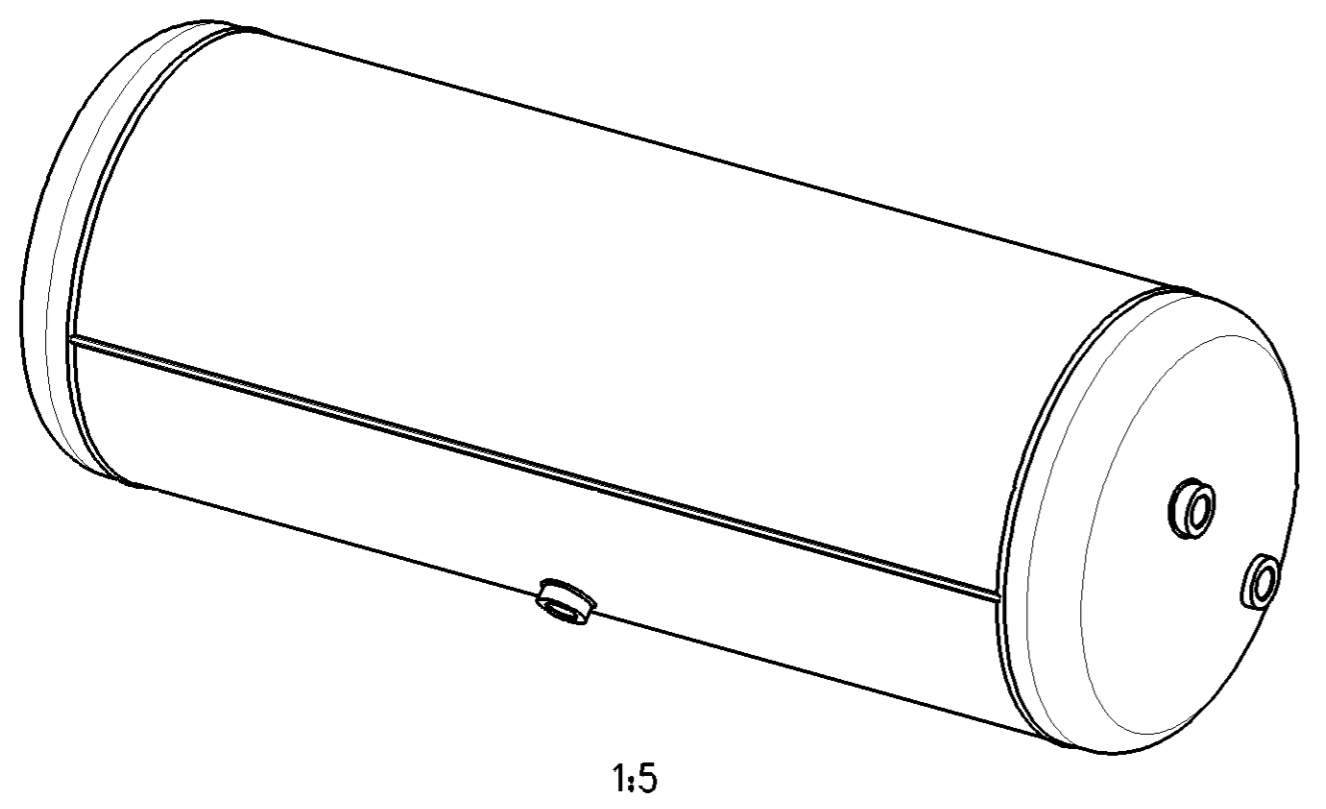
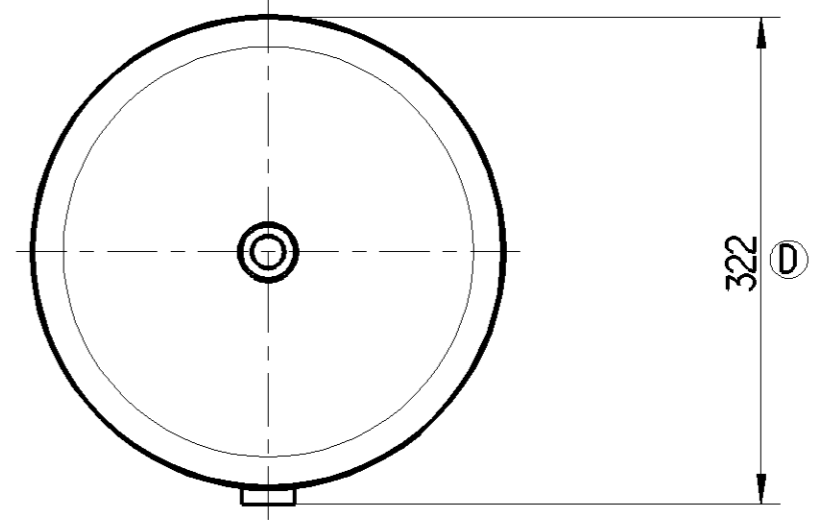
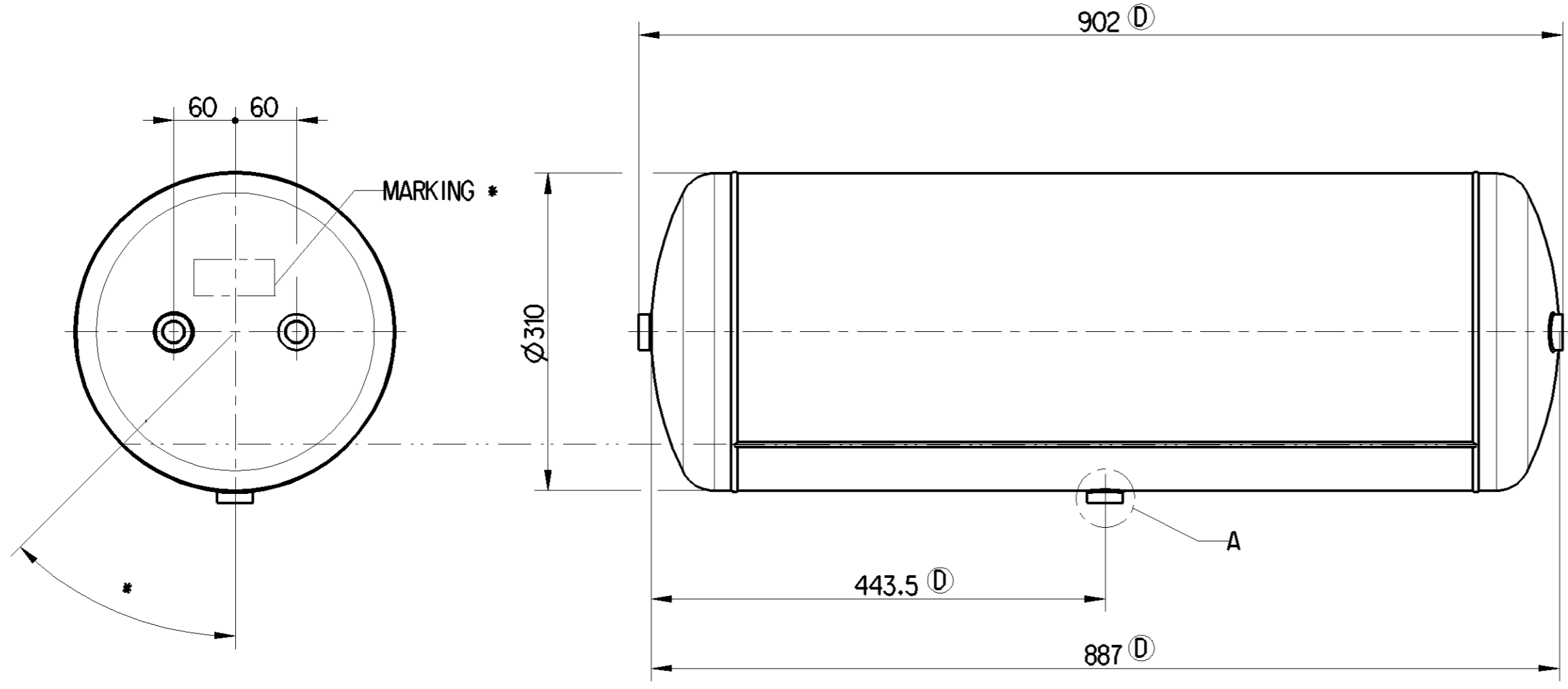


① 4x A
2:1



VOLUME: VOLUMEN: VOLUME: VOLUME:		60 L
WORKING PRESSURE: BETRIEBSDRUCK: PRESSION D'UTILISATION: PRESSIONE DI LAVORO:	Ps	11 BAR ①
TEMPERATURE RANGE: TEMPERATURBEREICH: PLAGE DE TEMPERATURES: CAMPO DI TEMPERATURA:	MIN/MAX	-50/100 °C
MATERIAL: WERKSTOFF: MATIERE: MATERIALE:		ALUMINIUM ALUMINIUM ALUMINIUM ALLUMINIO



* ACCORDING TO GENERAL SPECIFICATION (EN 286-2)

General Specification: JED-334-1, Size ISO 14405 LP		Copyright WABCO®		WABCO	
Further Technical Data:		Date	Signature	AIR RESERVOIR	
Doc. Code:	Sheet: To	2019-09-20	Suchogor G		
General Tolerances JED-261		Checked	Rohinkumar T		
Range of Nominal Dimensions (± mm)		Expert			
Class 1)	≤ 50 > 50 ≤ 180 > 180 ≤ 400 > 400	Chamol			
Fine	0.5 1.0 1.5 2.0	Mass	Scale	Material No.	
Medium	1.0 2.0 3.0 4.0	7.9 ①	1:5	950 960 002 0	
Coarse	2.0 3.5 5.0 6.5	kg	2:1	Date of first issue: 2011-02-07	
Tapped Holes acc. ISO 4039-2		Size	CAD System	Doc.Code	Language
1) Tolerance Class Applied Crossmarked		A 2	CREO	005	ML
				Techn. Resp.	Sheet
				D	1/1
				Replacement for	
				ECN-No. Revision Techn. Resp.	
				501995 8 D 5060	

Non e permesso copiare, o terzi o riprodurre questo documento, ne utilizzare il contenuto o renderlo comunque noto o terzi senza autorizzazione esplicita. Ogni infrazione costituisce un evidente abuso e comporta il risarcimento dei danni subiti. E' fatta riserva di tutti i diritti derivanti da brevetti o modelli.
 Coping of this document and giving it to others and the use or communication of the contents thereof, are forbidden without express authority. Contravention of this restriction will constitute an evident abuse and result in a liability to the payment of damages. All rights are reserved in the event of the grant of patent or registration of a utility model or design. This document is the subject of copyright.

Toute communication ou reproduction de ce document, toute exploitation ou communication de son contenu sont interdites, sauf autorisation expresse. Tout manquement a cette regle constitue un abus evident et expose son auteur au versement de dommages et interets. Tous droits de propriete industrielle reserves, notamment en matiere de brevets et de modesles.
 Weitergabe sowie Vervielfaltigung dieser Unterlagen, Vervielfachen und Mitteilen ihres Inhalts nicht gestattet, soweit nicht ausdreslich andersbestimmt. Weiterverbreiten stellen eine offensichtliche Missbrauch dar und verpflichten zu Schadensersatz. Alle Rechte hier den Fall der Patentierung oder Gebrauchsmuster-Eintragung vorbehalten.