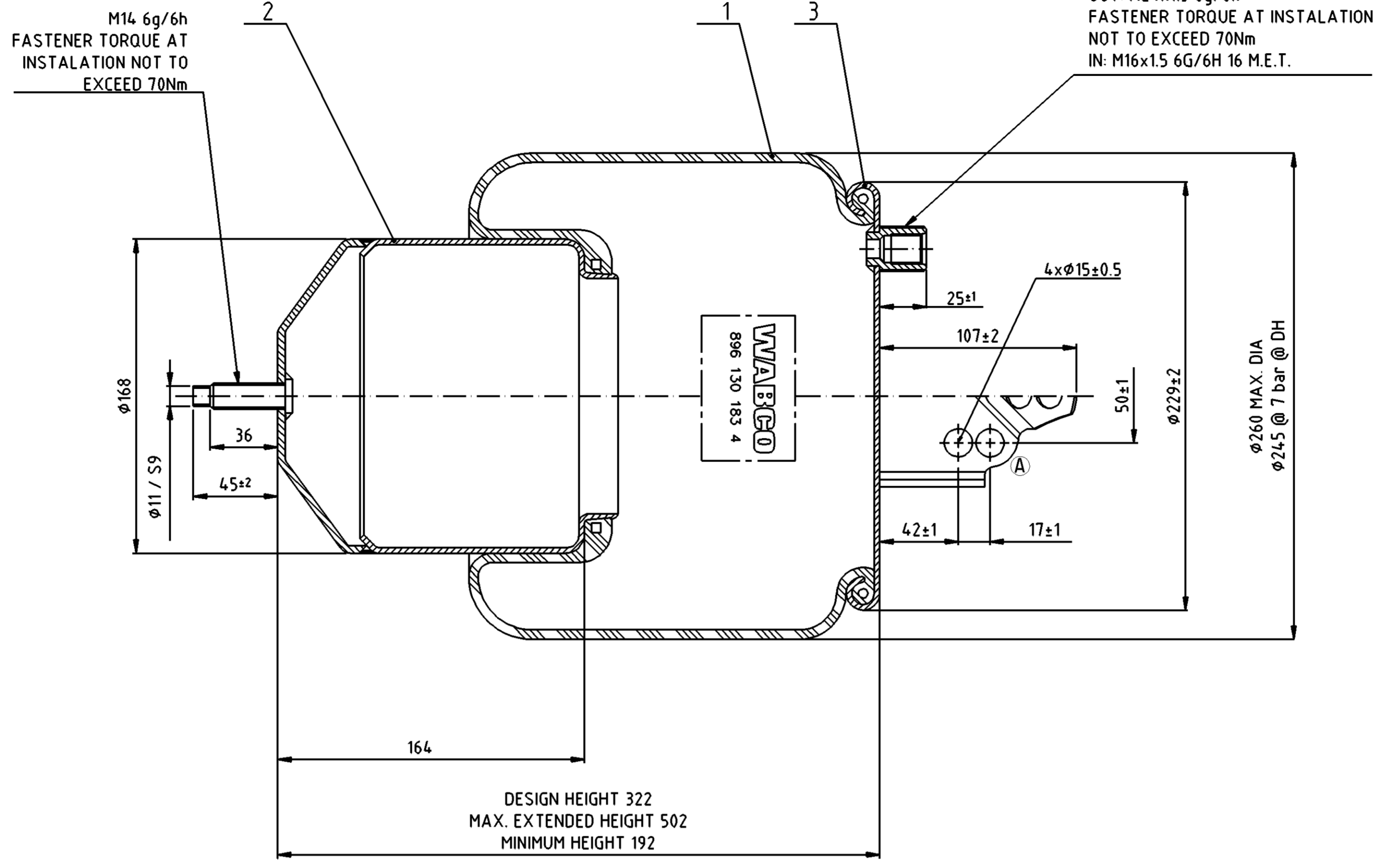
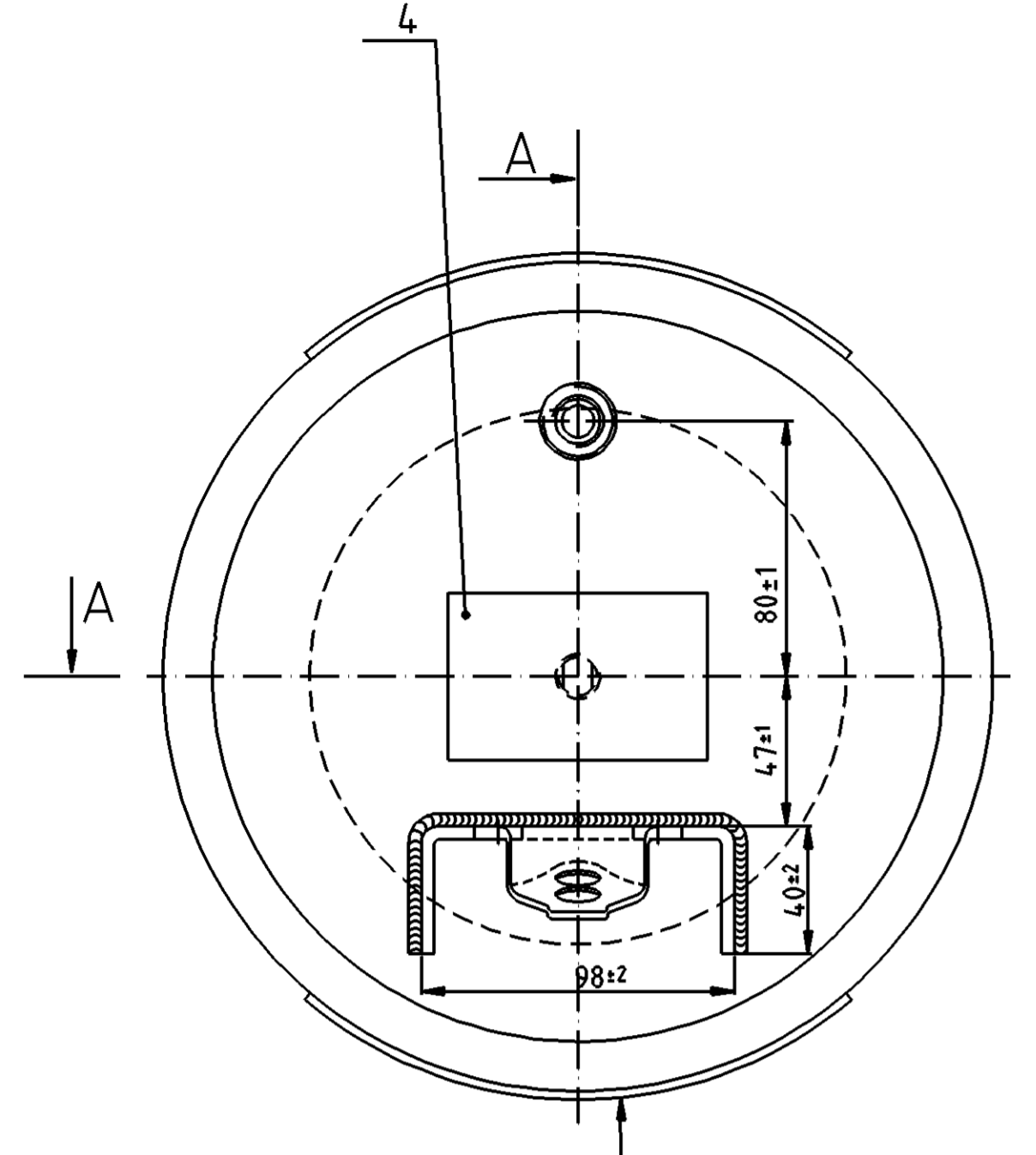


SECTION A-A



**SURFACE TREATMENT**  
 UPPER BEAD PLATE: Zinc coating  
 PISTON: Powder coating

- NOTES:**
1. MINIMUM PRESSURE AT MAXIMUM EXTENSION IS NOT TO BE LESS THAN 0.5bar.
  2. ASSEMBLY PRESSURE TESTED PER GMS XIII-301.
  3. ASSEMBLY DESIGNED TO OPERATE BETWEEN -40° AND +70°.
  4. CUSTOMER TO PROVIDE MECHANICAL DEVICE TO LIMIT MAXIMUM EXTENSION TO MAX. EXTENDED HEIGHT.
  5. WARNING: DO NOT INFLATE UNLESS FULLY SECURED IN THE SUSPENSION OR OTHER ADEQUATE STRUCTURE. DO NOT INFLATE TO MORE THEN 8bar AT ANY HEIGHT. OTHERWISE BODILY INJURY COULD RESULT

Poz.	No.	Object and dimension	Page	Material	Drawing no. - standard	Note
4	1	WARNING & IDENT. LABEL				
3	1	UPPER BEAD PLATE		DIN UST13	ASA-92-8-7A0	
2	1	PISTON		DIN UST13	ASD-20-7-756	
1	1	FLEXIBLE MEMBER		NR-BR	896 130 183 4	

Techn. Life/Lebensdauer / Engineering and delivery specs Normen / Standards Dimensions without tolerances according to ISO 2769 c

Kunden-Teil-Nr. / Customer-part-No.:

01 New drawing format. Bracket design changed.

Modifikation	Datum/Date	Name/Name	Abteilung/Department
1:2	27.01.2009	R. Strub	R&D AS
	30.01.2009	M. Shue	
	05.05.2009	M. Koeb	

Bezeichnung/Description: WABCO 951 811 002 0 (eq. to 1R10-704)

General weight: 6,1 kg

Material No./Material-Nr.: 566-20-2-706

Index: 01

General Specification: JED-344-1, ISO 14405 LP

Further Technical Data: 9518117730

Doc. Code: 035 Sheet: 01 To 03

Copyright WABCO®

Date: 2019-11-14

Signature: Mojcher

Checked: Saravanan

Expert: SARAVANAN

Material No.: 951 811 002 0

Date of first issue: 2009-05-26

Doc. Code: 005 ML 1/1

Revision: tx A

Techn. Resp.: 6960

ECN-No.: 501908

Replacement for:

Non e permesso coniare o riprodurre questo documento, ne utilizzare il contenuto o riprodurre comunque (foto o altri) senza permesso scritto dalla WABCO. E' vietata espressamente la ristampa o l'uso di immagini o dati. Copies of this document and giving it to others and the use or communication of the contents thereof, are forbidden without express consent. The reproduction, distribution and use of this document is prohibited. All rights reserved in the event of the grant of patent or registration of a utility model or design. This document is the subject of copyright.