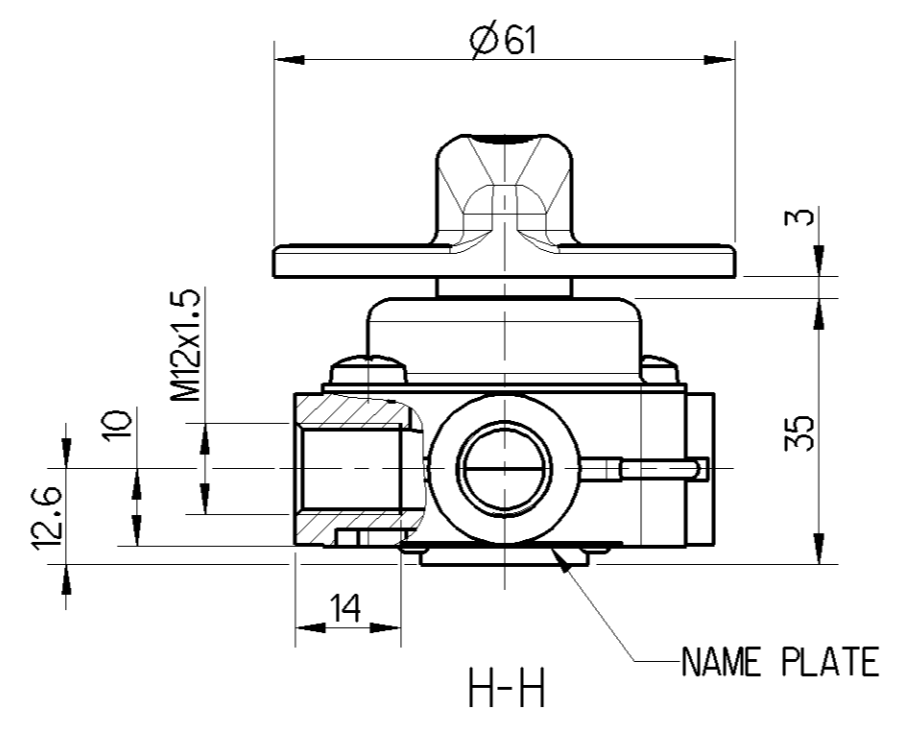
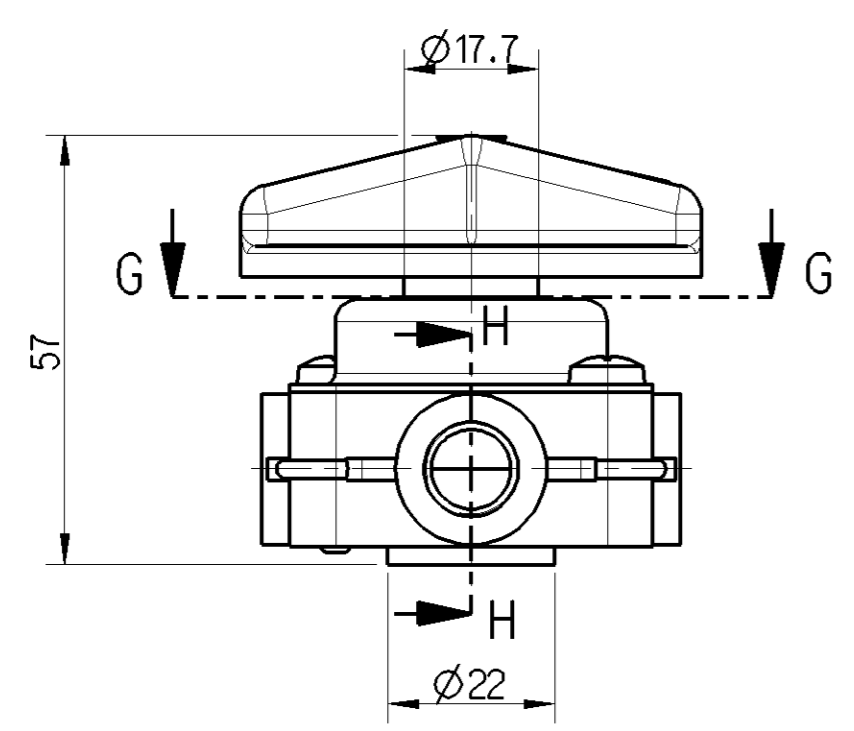
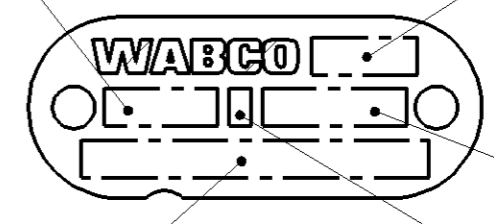


<1> SAFETY CHARACTERISTICS	0
<2> SIGNIFICANT CHARACTERISTICS	0



DATE OF MANUFACTURING
HERSTELLDATUM
DATE DE FABRICATION
DATA DI FABRICATIONE

MANUFACTURING PLANT
PRODUKTIONSSTAETTE
LIEU DE FABRICATION
LIOGO DI FABRICATIONE



WABCO IDENTIFICATION NUMBER
WABCO IDENTIFIZIERUNGS-NUMMER
WABCO NUMERO D'IDENTIFICATION
WABCO NUMERO D'IDENTIFICAZIONE

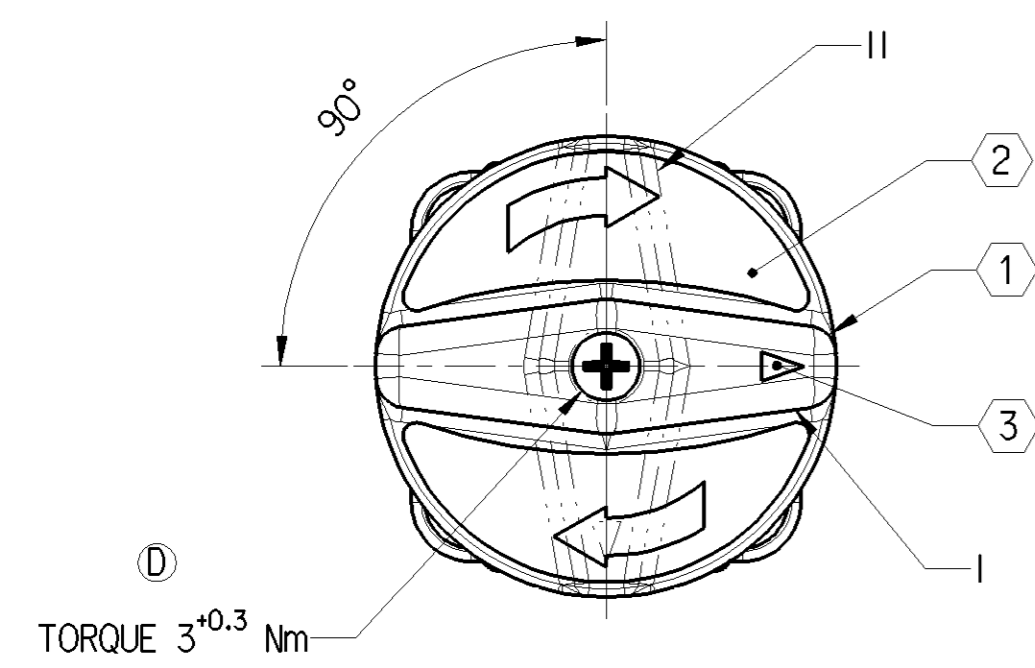
OPTIONAL
BELIEBIG
A VOLONTE
A SCELTA

DATA CODING

NAME PLATE DETAILS
2:1

Non e permesso copiare, o terzi o riprodurre questo documento, ne utilizzare il contenuto o renderlo comunque noto a terzi senza autorizzazione esplicita. Ogni infrazione costituisce un evidente abuso e comportera il risarcimento dei danni subiti. E' fatta riserva di tutti i diritti derivanti da brevetti o modelli.
 Copying of this document and giving it to others and the use or communication of the contents thereof, are forbidden without express authority. Contravention of this restriction will constitute an evident abuse and result in a liability to the payment of damages. All rights are reserved in the event of the grant of patent or registration of a utility model or design. This document is the subject of copyright.

Toute communication ou reproduction de ce document, toute exploitation ou communication de son contenu sont interdites, sauf autorisation expresse. Tout manquement a cette regle constitue un abus evident et expose son auteur au versement de dommages et interets. Tous droits de proprieete industrielle reserves, notamment en matiere de brevets et de modesles.
 Weitergabe sowie Vervielfaeltigung dieser Unterlagen, Verleihen und Mitteilen ihres Inhalts nicht gestattet, soweit nicht ausdrucklich andersbestimmt. Weiterverbreitung stellen eine offensichtliche Missbrauch dar und verpflichten zu Schadenersatz. Alle Rechte fuer den Fall der Patenterteilung oder Gebrauchsmuster-Eintragung vorbehalten.



I = CONTROL POSITION
SCHALTSTELLUNG
II = POSITION DE COMMANDE
POSSIZIONE DI COMANDO

- ① HANDLE: RED - RAL 3002
- ② DIRECTION LABEL: YELLOW - RAL 1021
- ③ ARROW MARK: WHITE - RAL 7047

MEDIUM:
MEDIUM:
FLUIDE:
FLUIDO:

AIR
LUFT
AIR
ARIA

WORKING PRESSURE:
BETRIEBSDRUCK:
PRESSION D'UTILISATION:
PRESSIONE D'ESERCIZIO:

pe MaX. 10 bar

THERMAL RANGE OF APPLICATION:
THERMISCHER ANWENDUNGSBEREICH:
APPLICATION THERMIQUE:
CAMPO DI APPLICAZIONE TERMICA:

-40°C... +80°C

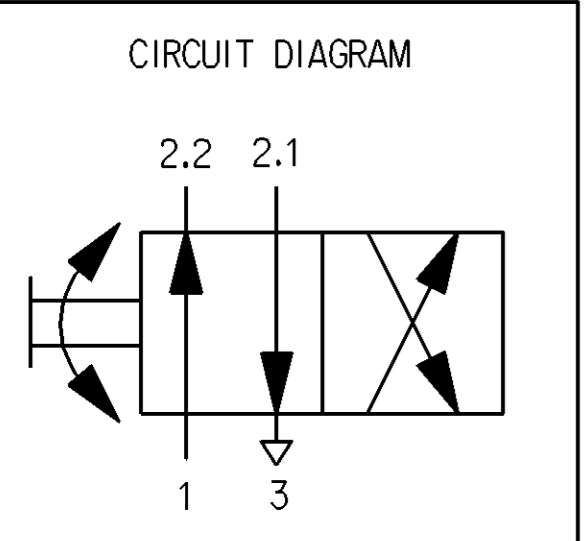
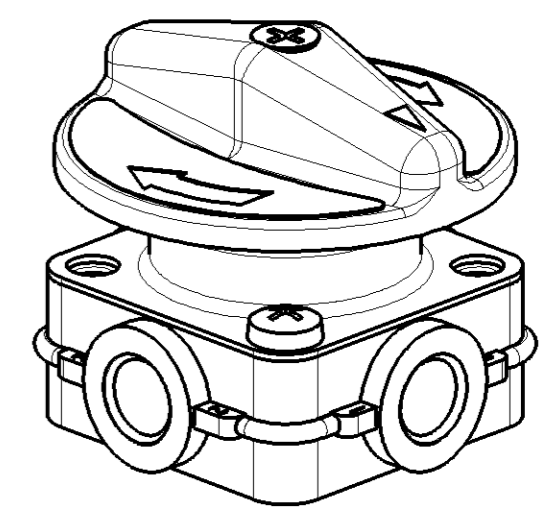
NOMINAL DIAMETER:
NENNWEITE:
DIAMETRE NOMINALE:
DIAMETRO NOMINALE:

3 mm

1 = SUPPLY OF ENERGY
ENERGIEZUFLUSS
ALIMENTATION D'ENERGIE
ALIMENTAZIONE DI ENERGIA

2 ≈ 2.2 = DELIVERY OF ENERGY
ENERGIEABFLUSS
4 ≈ 2.1 = UTILISATION D'ENERGIE
UTILIZZAZIONE DI ENERGIA

3 = EXHAUST
ENTLUEFTUNG
ECCHEPPAMENTO
SCARICO



General Specification: JED-334-1, Size ISO 14405 LP		Copyright WABCO®		WABCO		
Further Technical Data: 952 003 023 0		Date _____ Signature _____				
Doc. Code: 035	Sheet: 1 To 5	2018-09-10	Christosolomon	4/2 DIRECTIONAL CONTROL VALVE 4/2 WEGEHAHN DISTRIBUTEUR 4/2 VALVOLA 4/2		
General Tolerances JED-261		Checked 2018-09-10 Ragunathan L				
Range of Nominal Dimensions (± mm)		Expert Ragunathan L				
Class 1)	≤ 50 > 50 ≤ 180 > 180 ≤ 400 > 400	Material No.		Date of first issue: 2018-04-26		
Fine	0.5 1.0 1.5 2.0	Mass	Scale	Doc.Code Language Sheet		
Medium	X 1.0 2.0 3.0 4.0	0.34 kg	1:1 2:1	952 003 023 0 005 ML 1/1		
Coarse	2.0 3.5 5.0 6.5	Size	CAD System	ECN-No. Revision Techn. Resp. Replacement for		
Tapped Holes acc. -		A 2	CREO	178350	1x D	5620
1) Tolerance Class Applied Crossmarked						

100mm