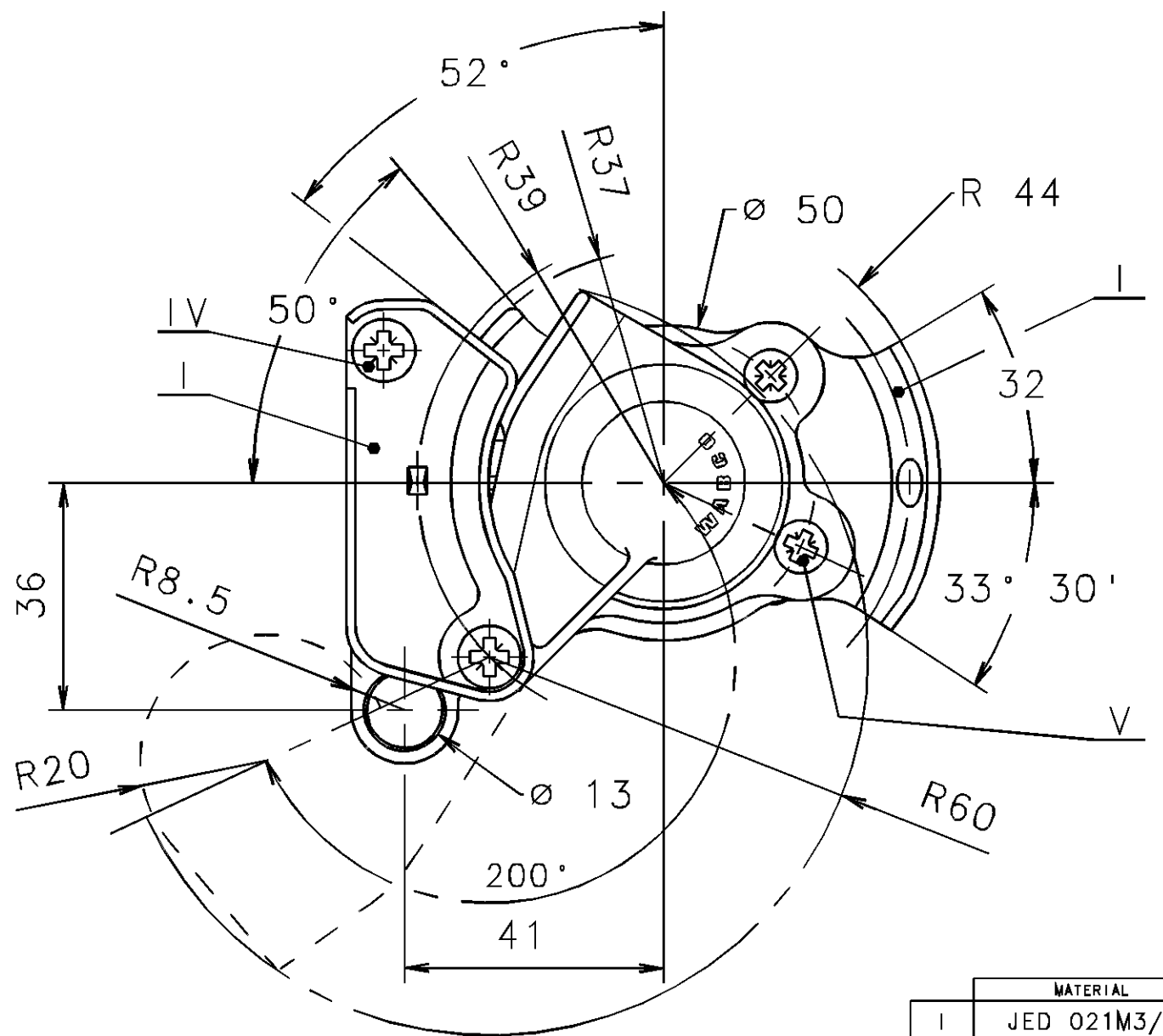
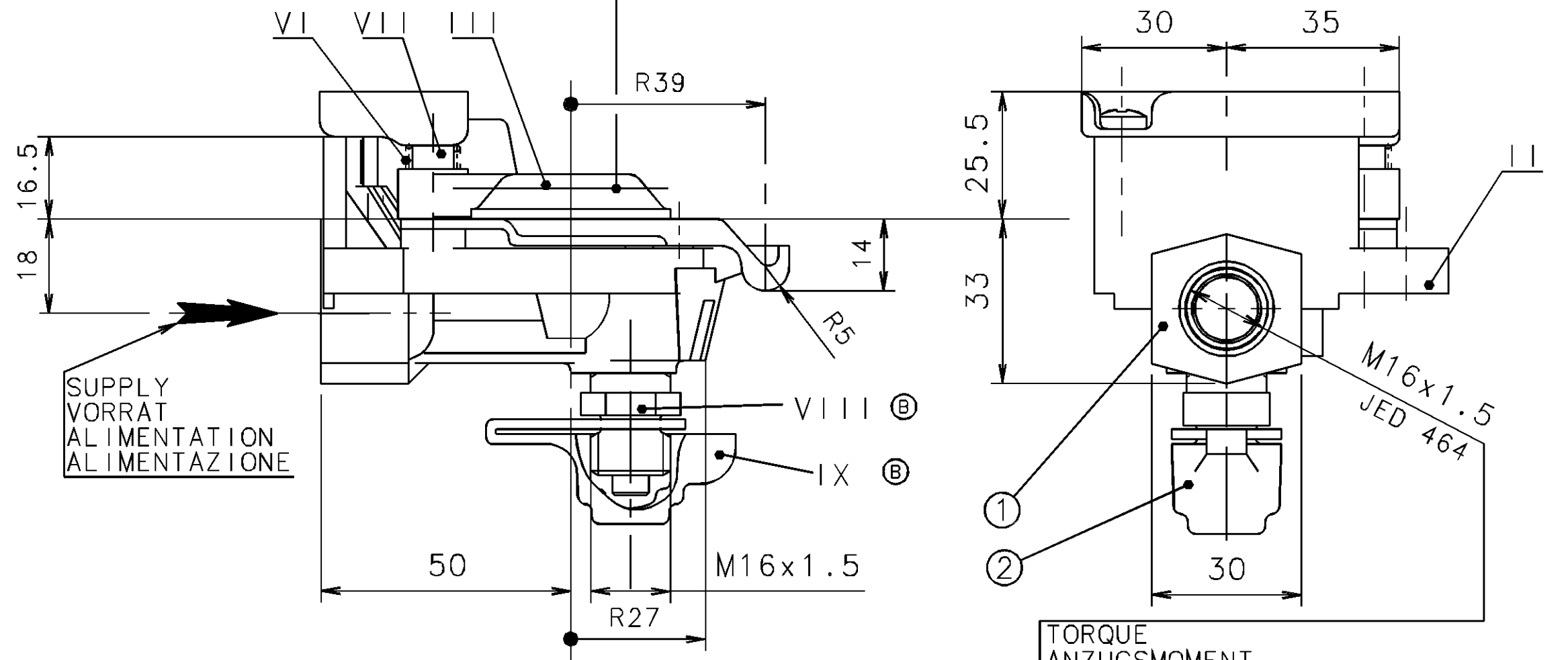


CHARACTERISTICS
TECHNISCHE DATEN
CARACTERISTIQUES
CARATTERISTICHE

DESIGNATION BEZEICHNUNG DESIGNATION DESIGNAZIONE	SYMBOL SYMBOLE SIMBOLO	UNIT EINHEIT UNITE UNITA	VALUE WERT VALEUR VALORE
WORKING TEMPERATURE THERMISCHER ARBEITSBEREICH TEMPERATURE DE FONCTIONNEMENT TEMPERATURA DI UTILIZZAZIONE	T	°C	-40° +80°
MAX INLET PRESSURE MAX BETRIEBSDRUCK PRESSION D'ALIMENTATION MAXI PRESSIONE MASSIMA D'ALIMENTAZIONE	P	BAR	10
WORKING POSITION EINBAULAGE POSITION DE FONCTIONNEMENT POSIZIONE DE FUNZIONAMENTO	UNIMPORTANT BELIEBIG INDIFFERENTE INDIFFERENTE		
FLUID MEDIUM FLUIDE FLUIDO	AIR PRESSURE DRUCKLUFT AIR COMPRIME ARIA COMPRESSA		
① NORM NORM NORME NORMA	ISO 1728	SERVICE BRAKING BETRIEBSBREMSUNG FREINAGE DIRECT FRENO MODERABILE	
② NOMINAL DIAMETER NENNWEITE DIAMETRE NOMINAL DIAMETRO NOMINALE	4mm		

COVER COLOUR YELLOW
VERSCHLUSSDECKEL FARBE GELB
COUVERCLE COULEUR JAUNE
COPERCHIO COLORE GIALLO



	MATERIAL	SURFACE PROTECTION
I	JED 021M3/Fe	JED 256
II	JED 029M3/Al	×
III	PP	×
IV	JED 051M4/Fe	JED 256
V	JED 051M2/Fe	JED 256
VI	JED 064M /Fe	JED 258
VII	JED 021M1/Fe	JED 256
VIII	JED 687	×
IX	RUBBER	×

FURTHER TECHNICAL DATA SEE		L
IDENTIFICATION NO.:		K
CODE FOR DOCUMENT: 605	SHEET: TO	J
GENERAL TOLERANCES		H
RANGE OF NOMINAL DIMENSIONS (± mm)		G
CLASS		F
		E
		D
		C
		A
TAPPED HOLES ACC. ISO 4039 / JED-152		
1) TOLERANCE CLASS APPLIED CROSSMARKED		

COPYRIGHT
DATE SIGNATURE
DRAWN
95-12-06
CHECKED
95-12-06
STANDARDIZATION
95-12-09
WABCO
HOSE COUPLING
KUPPLUNGSKOPF
TETE D'ACCOUPEMENT
TESTA D'ACCOPIAMENTO
PRODUCT IDENTIFICATION NO.
952 200 040 0
CODE FOR DOCUMENT SHEET
605 1/1
REPLACEMENT FOR
DRAWING OF 87-10-26
MASS SCALE
kg 1:1
SIZE T.R.I.
A 2 210
CODE F.PROD.-GROUP CODE FOR SHAPE
571
EXPERT CODE TYPE OF PRODUCT

NON E' PERMESSO CONSEGNARE A TERZI O RIPRODURRE QUESTO DOCUMENTO, NE UTILIZZARNE IL CONTENUTO O RENDERSI
 COME NOTE A TERZI SENZA AUTORIZZAZIONE ESPlicitA. COME INFRAZIONE COSTITUISCE UN ABUSO EVIDENTE
 DEL DIRITTO DI PROPRIETA' INDUSTRIALE. IL DIRITTO DI PROPRIETA' INDUSTRIALE E' RISERVATO AL CONCESSIONARIO
 COPIING OF THIS DOCUMENT, AND GIVING IT TO OTHERS AND THE USE OR COMMUNICATION OF THE
 CONTENTS THEREOF, ARE FORBIDDEN WITHOUT EXPRESS AUTHORITY. CONTRAVENTION OF THIS RESTRICTION WILL
 CONSTITUTE AN EVIDENT ABUSE AND RESULT IN A LIABILITY TO THE PAYMENT OF DAMAGES. ALL RIGHTS ARE
 RESERVED IN THE EVENT OF THE GRANT OF A PATENT OR THE REGISTRATION OF AN UTILITY MODEL OR DESIGN.
 THIS DRAWING IS SUBJECT TO COPYRIGHT.