

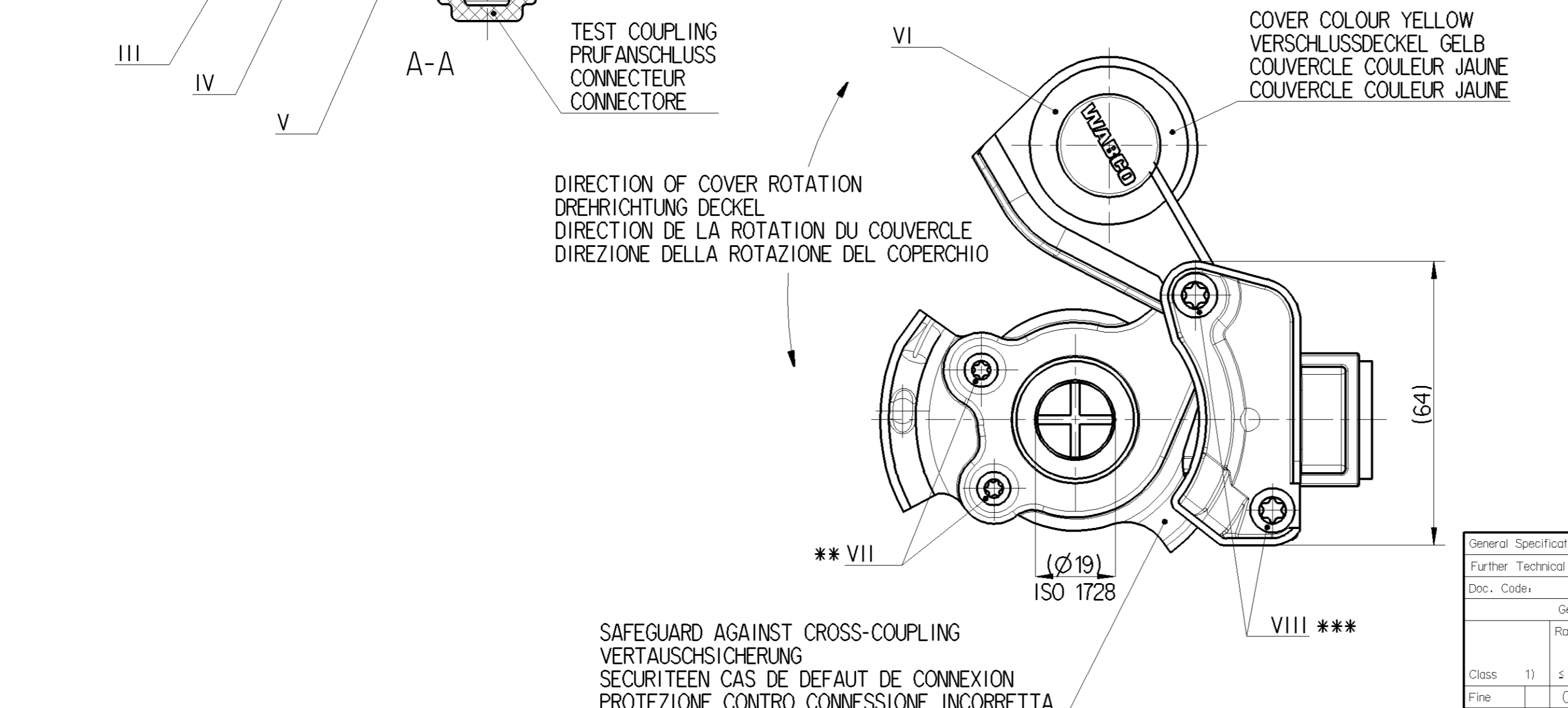
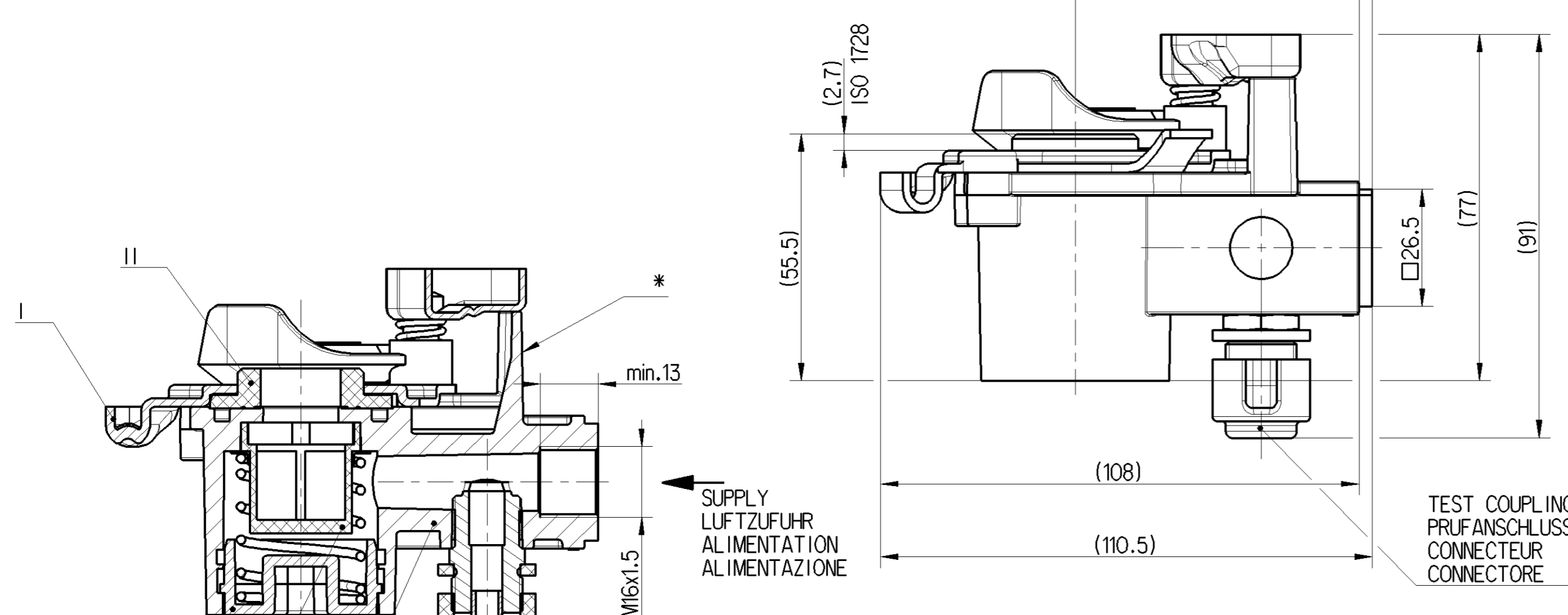
No.	MATERIAL	SURFACE PROTECTION	COMPONENT NAME
I	JED-475-2	JED-256-5	GUIDE, FUEHRUNG, GUIDE, GUIDA
II	JED-7080M	-	SEALING, DICHTEN, ETANCHEITE, IMPERMEABILIT
III	JED-029M1	JED-259	SCREW-PLUG, VERSCHLUSSSCHRAUBE, BOUCHON FILETE, TAPPO FILETTATO
IV	JED-330	-	INNER SIEVE, FILTEREINSATZ, TAMIS, SETACCIO
V	JED-029M1	JED-259	BODY, GEHAEUSE, CORPO, CORPS USINE
VI	JED-365-1 (PP)	-	COVER, DECKEL, COUVERCLE, COPERCHIO
VII	JED-051M4	JED-256-4	SCREW, SCHRAUBE, VIS, VITE [M4; class 10.9]
VIII	JED-051M1	JED-256-4	SCREW, SCHRAUBE, VIS, VITE [M6; class 4.8]

Non e' permesso copiare, o terzi o riprodurre questo documento, ne utilizzare il contenuto o renderlo comunque noto o terzi senza autorizzazione esplicita. Ogni infrazione costituisce un evidente abuso e comportera il risarcimento dei danni subiti. E' fatta riserva di tutti i diritti derivanti da brevetti o modelli.

Copying of this document and giving it to others and the use or communication of the contents thereof, are forbidden without express authority. Copying of this document will constitute an evident abuse and result in a liability to the payment of damages. All rights are reserved in the event of the grant of patent or registration of a utility model or design. This document is the subject of copyright.

Toute communication ou reproduction de ce document, toute exploitation ou communication de son contenu sont interdites, sauf autorisation expresse. Tout manquement a cette regle constitue un abus evident et expose son auteur au versement de dommages et interets. Tous droits de proprie'te industrielle reserves, notamment en matiere de brevets et de modeles.

Wiederholte sowie Verbreitung dieser Unterlagen, Verleihen und Mitteilen ihres Inhalts nicht gestattet, soweit nicht ausdru'cklich ansonsten, zweifelhafte Angaben stellen einen offensichtlichen Missbrauch dar und verpflichten zu Schadensersatz. Alle Rechte hier den Fall der Patenterteilung oder Gebrauchsmuster-Eintragung vorbehalten.



USAGE VERWENDUNG UTILISATION APPLICAZIONE	CONTROL LINE BREMSLEITUNG CONDUITE DE COMMANDE TUBAZIONE DEL FRENO	
SYMBOL SYMBOL SYMBOL SIMBOLO	ISO 1219	
WORKING POSITION EINBAULAGE POSITION DE FONCTIONNEMENT POSIZIONE DI FUNZIONAMENTO	UNIMPORTANT BELIEBIG INDIFFERENTE INDIFFERENTE	
WORKING MEDIUM ARBEITSMEDIUM FLUIDE D'UTILISATION FLUIDO DI ESERCIZIO	COMPRESSED AIR DRUCKLUFT AIR COMPRIE ARIA COMPRESSA	
NORM NORM NORME NORMA	ISO 1728	
AMBIENT MEDIUM UMGEBUNGSMEDIUM FLUIDE AMBIANT FLUIDO AMBIENTE	AIR (CONTAINING WATER, DUST AND OIL) LUFT (WASSER-, STAUB- UND OELHALTIG) AIR (HUMIDE, HUILEUX POUSSIEREUX) ARIA (ACQUA, POLVERE ED OLIO INQUINATO)	
WORKING TEMPERATURE THERMISCHER ARBEITSBEREICH TEMPERATURE DE FONCTIONNEMENT TEMPERATURA DI UTILIZZAZIONE	-40°...+80°C	
MAX INLET PRESSURE MAX BETRIEDSDRUCK PRESSION D'ALIMENTATION MAXI TEMPERATURA DI UTILIZZAZIONE	8.5 bar	
TORQUE ANZUGSMOMENT COUPLE DE SERRAGE COPPIA DI SERRAGGIO	** 1.5 ^{+0.5} ₀ Nm	*** 4 ⁺¹ ₀ Nm

* WABCO DEVICE NUMBER, DATE OF MANUFACTURE
WABCO-GERATE NUMMER, HERSTELLDATUM
NUMERO DE L'APPAREIL WABCO, DATE DE FABRICATION
NUMERO DELL'APPARECCHIO WABCO, DATA DI FABBRICAZIONE

TIGHTENING TORQUE FOR THREAD M16x1,5:
ANZUGSMOMENT FUER GEWINDE M16x1,5: 30±2Nm
COUPLE DE SERRAGE POUR FIL M16x1,5:
COPPIA DI SERRAGGIO PER FILETTA M16x1,5:

General Specification: JED-334-1, Size ISO 14405 LP		Copyright WABCO®		WABCO	
Further Technical Data: 952 201 000 0 Doc.035		Date	Signature	HOSE COUPLING WITH INTEGRATED FILTER	
Doc. Code	Sheet	2018-07-02	Balago	KUPPLUNGSKOPF MIT INTEGRIERTEM FILTER	
General Tolerances JED-261		2018-07-06	Piskadlo	TETE D'ACCOUPLLEMENT AVEC FILTRE	
Range of Nominal Dimensions (± mm)		Expert		TESTA D'ACCOPIAMENTO CON FILTRO	
Class	1)	≤ 50	> 50 ≤ 180	> 180 ≤ 400	> 400
Fine		0.5	1.0	1.5	2.0
Medium	X	1.0	2.0	3.0	4.0
Coarse		2.0	3.5	5.0	6.5
Tapped Holes acc. JED-152		Mass	Scale	Material No.	Date of first issue: 2018-07-06
1) Tolerance Class Applied Crossmarked		0.360	1:1	952 201 008 0	Doc.Code Language Sheet
		A 2	CREO	005 ML 1/1	ECN-No. Revision Techn. Resp. Replacement for
				5712	952 201 009 0