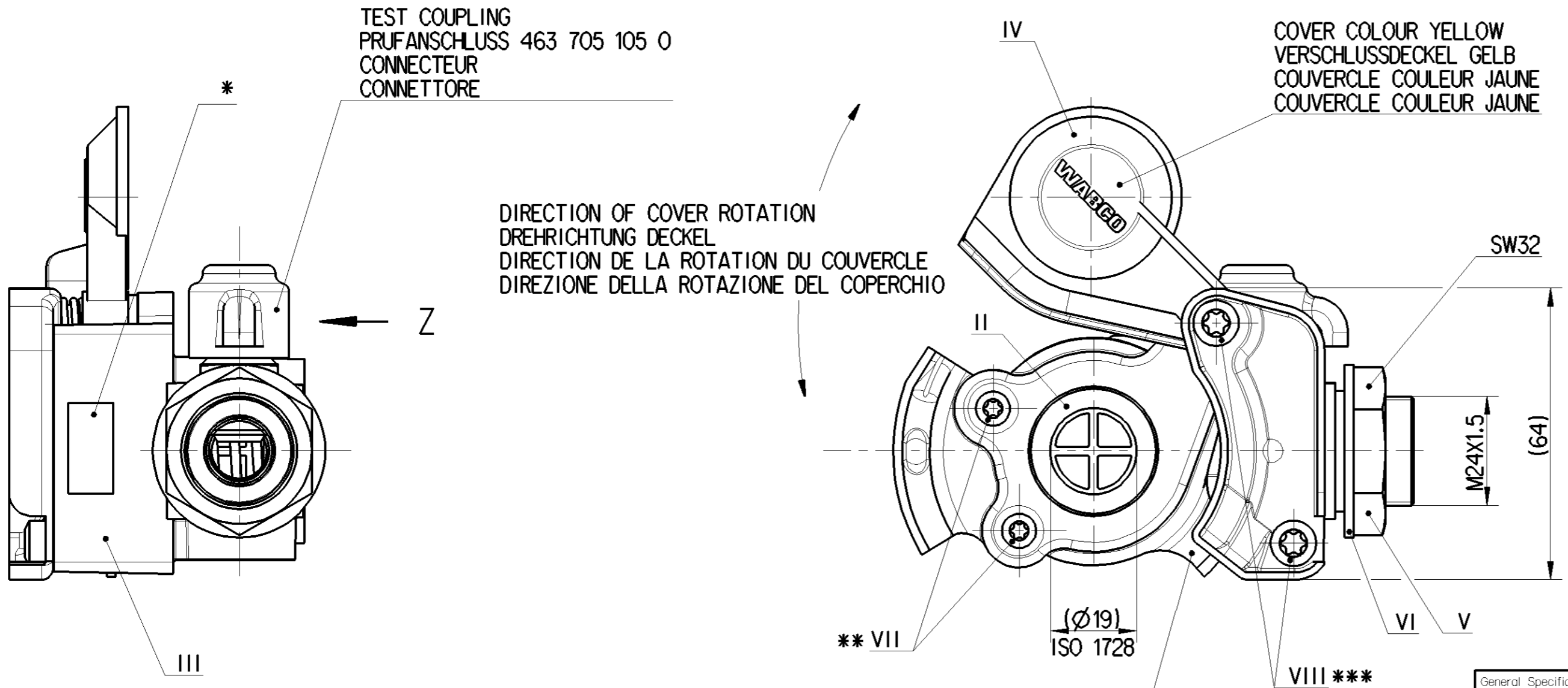
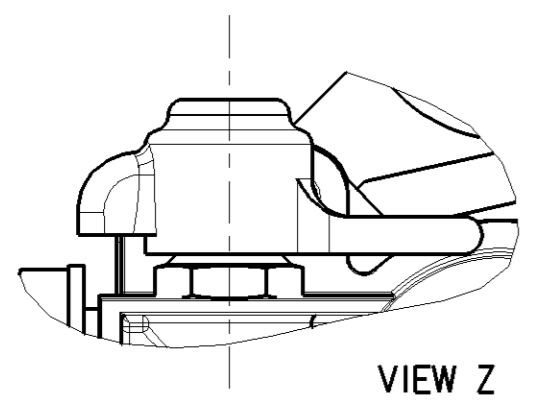
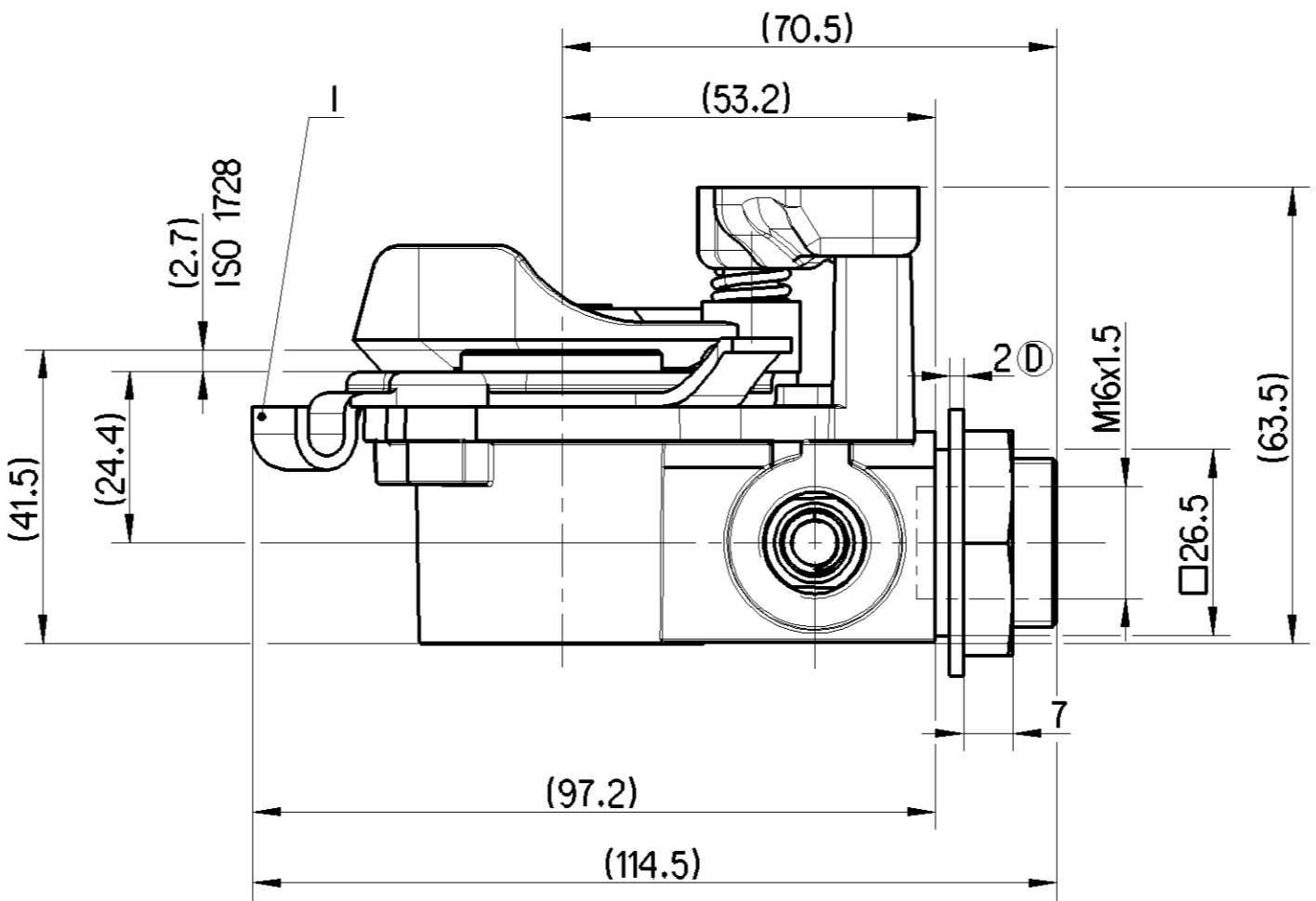


No.	MATERIAL	SURFACE PROTECTION	COMPONENT NAME
I	JED-475-2	JED-256-5	GUIDE, FUEHRUNG, GUIDE, GUIDA
II	JED-7080M	-	SEALING, DICHTEN, ETANCHEITE, IMPERMEABILIT
III	JED-029M1	JED-259	BODY, GEHAEUSE, CORPO, CORPS USINE
IV	JED-365-1 (PP)	-	COVER, DECKEL, COUVERCLE, COPERCHIO
V	EN 10277-3(8)	JED-257	NUT, MUTTER, ECROU, DADO
VI	JED-475-2	JED-257	WASHER, SCHEIBE, RONDELLE, ROSETTA
VII	JED-051M4	JED-256-4	SCREW, SCHRAUBE, VIS, VITE [M4: class 10.9]
VIII	JED-051M1	JED-256-4	SCREW, SCHRAUBE, VIS, VITE [M6: class 4.8]

<1> SAFETY CHARACTERISTICS	0
<2> SIGNIFICANT CHARACTERISTICS	0
<3> CUSTOMER INTERFACE	0

USAGE VERWENDUNG UTILISATION APPLICAZIONE	CONTROL LINE BREMSLEITUNG CONDUITE DE COMMANDE TUBAZIONE DEL FRENO	
SYMBOL SYMBOL SYMBOL SIMBOLO	ISO 1219	
WORKING POSITION EINBAULAGE POSITION DE FONCTIONNEMENT POSIZIONE DI FUNZIONAMENTO	UNIMPORTANT BELIEBIG INDIFFERENTE INDIFFERENTE	
WORKING MEDIUM ARBEITSMEDIUM FLUIDE D'UTILISATION FLUIDO DI ESERCIZIO	COMPRESSED AIR DRUCKLUFT AIR COMPRIE ARIA COMPRESSA	
NORM NORM NORME NORMA	ISO 1728	
AMBIENT MEDIUM UMGEBUNGSMEDIUM FLUIDE AMBIANT FLUIDO AMBIENTE	AIR (CONTAINING WATER, DUST AND OIL) LUFT (WASSER-, STAUB- UND OELHALTIG) AIR (HUMIDE, HUILEUX POUSSIEREUX) ARIA (ACQUA, POLVERE ED OLIO INQUINATO)	
WORKING TEMPERATURE THERMISCHER ARBEITSBEREICH TEMPERATURE DE FONCTIONNEMENT TEMPERATURA DI UTILIZZAZIONE	-40°...+80°C	
MAX INLET PRESSURE MAX BETRIEDSDRUCK PRESSION D'ALIMENTATION MAXI TEMPERATURA DI UTILIZZAZIONE	8.5 bar	
TORQUE ANZUGSMOMENT COUPLE DE SERRAGE COPPIA DI SERRAGGIO	** 1.5 <sup>+0.5</sup> <sub>0</sub> Nm	*** 4 <sup>+1</sup> <sub>0</sub> Nm



\* WABCO DEVICE NUMBER, DATE OF MANUFACTURE  
WABCO-GERATE NUMMER, HERSTELLDATUM  
NUMERO DE L'APPAREIL WABCO, DATE DE FABRICATION  
NUMERO DELL'APPARECCHIO WABCO, DATA DI FABBRICAZIONE

SW32 TIGHTENING TORQUE:  
SW32 ANZUGSMOMENT: 45±5Nm  
SW32 COUPLE DE SERRAGE:  
SW32 COPPIA DI SERRAGGIO:

TIGHTENING TORQUE FOR THREAD M16x1,5:  
ANZUGSMOMENT FUER GEWINDE M16x1,5: 30±2Nm  
COUPLE DE SERRAGE POUR FIL M16x1,5:  
COPPIA DI SERRAGGIO PER FILETTA M16x1,5:

SAFEGUARD AGAINST CROSS-COUPLING  
VERTAUSCHSICHERUNG  
SECURITEEN CAS DE DEFAULT DE CONNEXION  
PROTEZIONE CONTRO CONNESSIONE INCORRETTA

General Specification: JED-334-1, Size ISO 14405 LP		Copyright WABCO®		<b>WABCO</b>	
Further Technical Data: 952 201 000 0		Date	Signature	Date of first issue: 2006-09-21	
Doc. Code: 035	Sheet: To	2020-05-14	Stosick	Doc. Code Language Sheet	
General Tolerances JED-261		2020-05-15	Piskodio	005 ML 1/1	
Range of Nominal Dimensions ( ± mm)		Expert Piskodio		ECN-No. 504222	
Class 1)	≤ 50 > 50 ≤ 180 > 180 ≤ 400 > 400	Scale	1:1	Revision	2x D
Fine	0.5 1.0 1.5 2.0	Mass	0.350 KG	Techn. Resp.	572
Medium	1.0 2.0 3.0 4.0	Size	A 2	Replacement for	-
Coarse	2.0 3.5 5.0 6.5	CAD System	CREO		
Tapped Holes acc. JED-152		1) Tolerance Class Applied Crossmarked			

Non e permesso, concesso o terzi o riproduzione questo documento, ne utilizzare il contenuto o renderlo comunque noto a terzi senza autorizzazione esplicita. Ogni infrazione costituisce un evidente abuso e comportera il risarcimento dei danni subiti. E' fatta riserva di tutti i diritti derivanti da brevetti o modelli.  
 Coping of this document and giving it to others and the use or communication of the contents thereof, are forbidden without express authority. Contravention of this restriction will constitute an evident abuse and result in a liability to the payment of damages. All rights are reserved in the event of the grant of patent or registration of a utility model or design. This document is the subject of copyright.  
 Toute communication ou reproduction de ce document, toute exploitation ou communication de son contenu sont interdites, sauf autorisation expresse. Tout manquement a cette regle constitue un abus evident et expose son auteur au versement de dommages et interets. Tous droits de propriete industrielle reserves, notamment en matiere de brevets et de modesles.  
 Weitergabe sowie Vervielfaltigung dieser Unterlagen, Verwertung und Mitteilung ihres Inhalts nicht gestattet, soweit nicht ausdrescklich andersbestimmt. Zuwiderhandlungen stellen einen offensichtlichen Missbrauch dar und verpflichten zu Schadensersatz. Alle Rechte fuer den Fall der Patentierung oder Gebrauchsmuster-Eintragung vorbehalten.