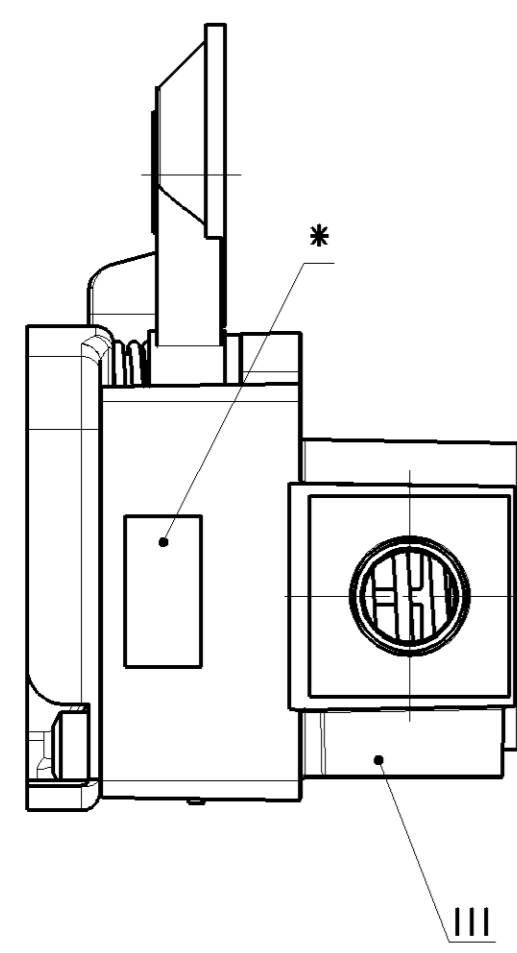
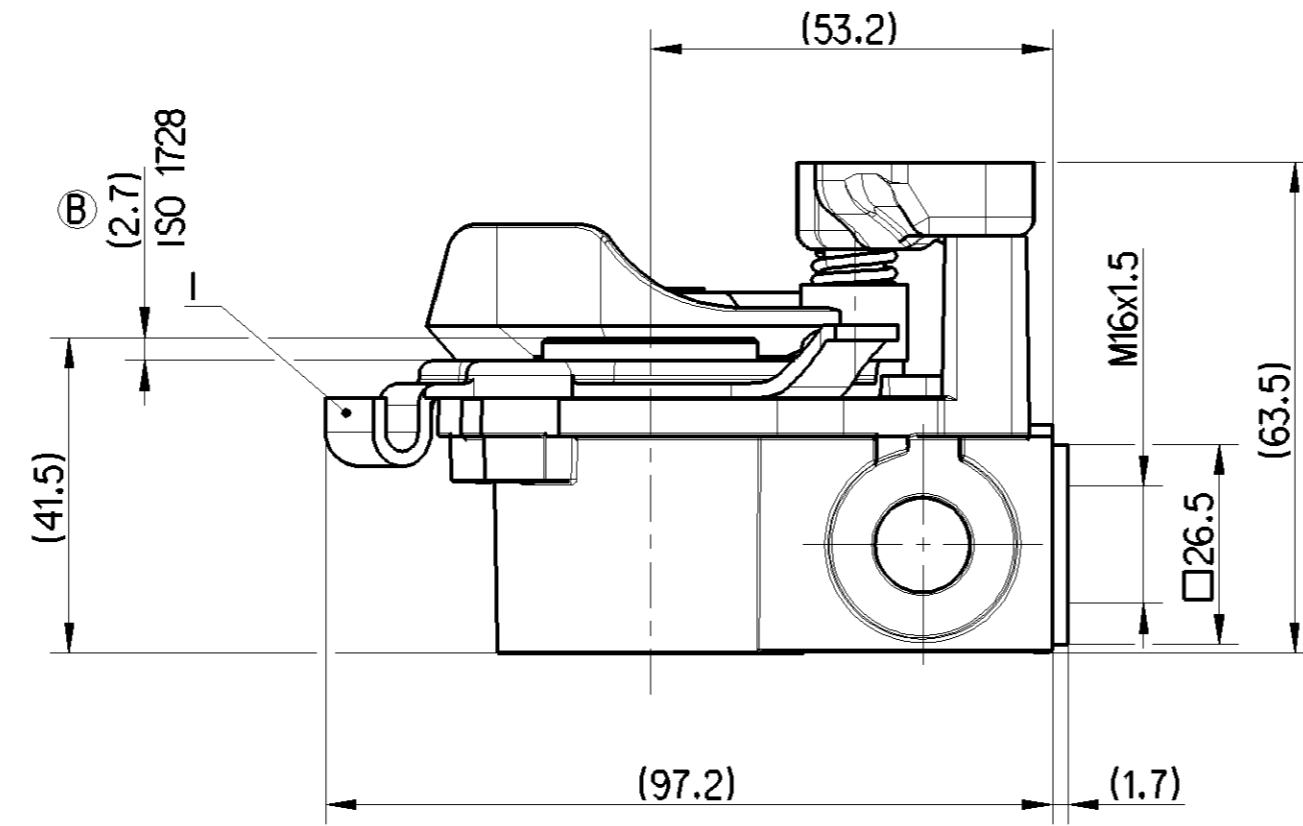
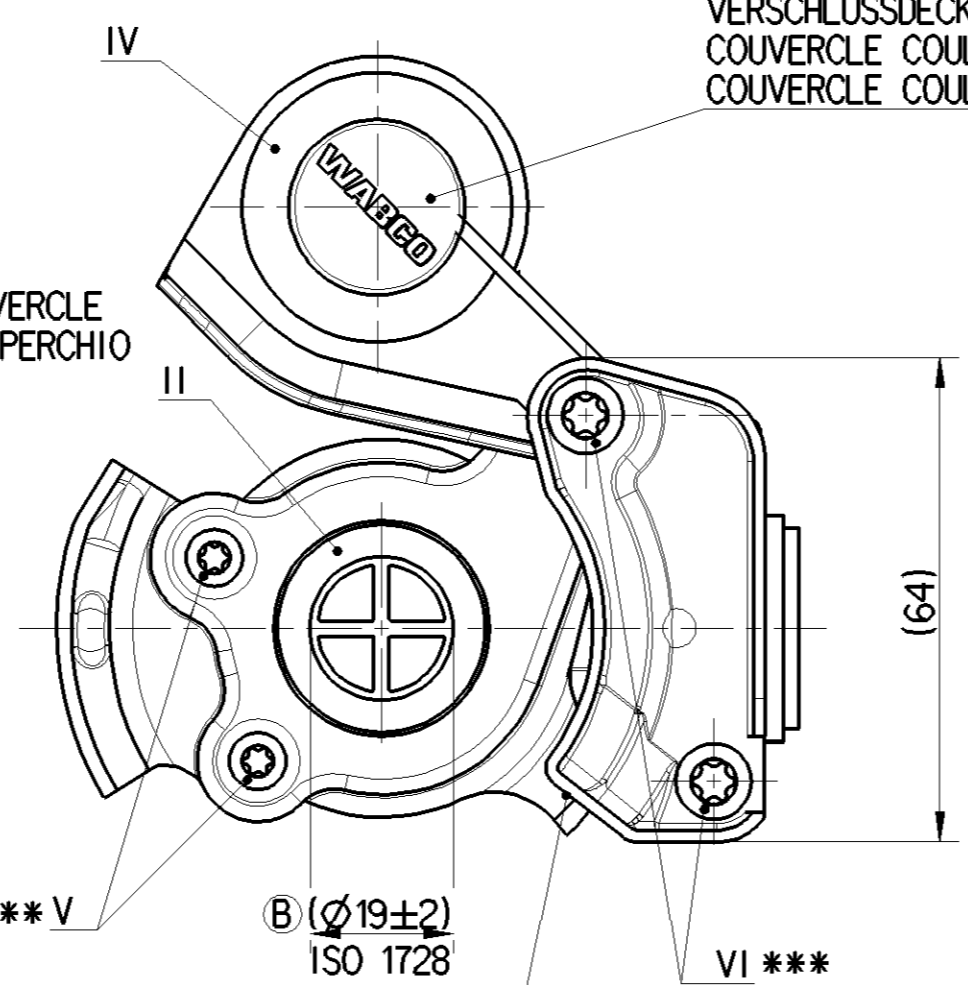


No.	MATERIAL	SURFACE PROTECTION	COMPONENT NAME
I	JED-475-2 (B)	JED-256-5	GUIDE, FUEHRUNG, GUIDE, GUIDA
II	JED-7080M	-	SEALING, DICHTEN, ETANCHEITE, IMPERMEABILIT
III	JED-029M1	JED-259	BODY, GEHAEUSE, CORPO, CORPS USINE
IV	JED-365-1 (PP)	-	COVER, DECKEL, COUVERCLE, COPERCHIO
V	JED-051M4 (B)	JED-256-4	SCREW, SCHRAUBE, VIS, VITE [M4; class 10.9] (B)
VI	JED-051M1 (B)	JED-256-4	SCREW, SCHRAUBE, VIS, VITE [M6; class 4.8] (B)



DIRECTION OF COVER ROTATION  
DREHRICHTUNG DECKEL  
DIRECTION DE LA ROTATION DU COUVERCLE  
DIREZIONE DELLA ROTAZIONE DEL COPERCHIO



COVER COLOUR YELLOW  
VERSCHLUSSECKEL GELB  
COUVERCLE COULEUR JAUNE  
COPERCHIO COULEUR JAUNE

SAFEGUARD AGAINST CROSS-COUPPLING  
VERTAUSCHSICHERUNG  
SECURITEEN CAS DE DEFAULT DE CONNEXION  
PROTEZIONE CONTRO CONNESSIONE INCORRETTA

USAGE VERWENDUNG UTILISATION APPLICAZIONE	CONTROL LINE BREMSLEITUNG CONDUITE DE COMMANDE TUBAZIONE DEL FRENO	
SYMBOL SYMBOL SYMBOLE SIMBOLO	ISO 1219	
WORKING POSITION EINBAULAGE POSITION DE FONCTIONNEMENT POSIZIONE DE FUNZIONAMENTO	UNIMPORTANT BELIEBIG INDIFFERENTE INDIFFERENTE	
WORKING MEDIUM ARBEITSMEDIUM FLUIDE D'UTILISATION FLUIDO DI ESERCIZIO	COMPRESSED AIR DRUCKLUFT AIR COMPRIE ARIA COMPRESSA	
NORM NORM NORME NORMA	ISO 1728	
AMBIENT MEDIUM UMGEBUNGSMEDIUM FLUIDE AMBIANT FLUIDO AMBIENTE	AIR (CONTAINING WATER, DUST AND OIL) LUFT (WASSER-, STAUB- UND OELHALTIG) AIR (HUMIDE, HUILEUX POUSSIEREUX) ARIA (ACQUA, POLVERE ED OLIO INQUINATO)	
WORKING TEMPERATURE THERMISCHER ARBEITSBEREICH TEMPERATURE DE FONCTIONNEMENT TEMPERATURA DI UTILIZZAZIONE	-40°...+80°C	
MAX INLET PRESSURE MAX BETRIEDSDRUCK PRESSION D'ALIMENTATION MAXI TEMPERATURA DI UTILIZZAZIONE	8.5 bar	
TORQUE ANZUGSMOMENT COUPLE DE SERRAGE COPPIA DI SERRAGGIO	** 1.5 <sup>+0.5</sup> <sub>0</sub> Nm	*** 4 <sup>+1</sup> <sub>0</sub> Nm

\* WABCO DEVICE NUMBER, DATE OF MANUFACTURE  
WABCO-GERATE NUMMER, HERSTELLDATUM  
NUMERO DE L'APPAREIL WABCO, DATE DE FABRICATION  
NUMERO DELL'APPARECCHIO WABCO, DATA DI FABBRICAZIONE

TIGHTENING TORQUE FOR THREAD M16x1,5:  
ANZUGSMOMENT FUER GEWINDE M16x1,5: 30±2Nm  
COUPLE DE SERRAGE POUR FIL M16x1,5:  
COPPIA DI SERRAGGIO PER FILETTA M16x1,5:

General Specification: JED-334-1, Size ISO 14405 LP		Copyright WABCO®		<b>WABCO</b>	
Further Technical Data: 952 201 000 0 Doc.035		Date	Signature	HOSE COUPLING WITH INTEGRATED FILTER	
Doc. Code	Sheet	2018-07-05	Balago	KUPPLUNGSKOPF MIT INTEGRIERTEM FILTER	
General Tolerances JED-261		2018-07-06	Piskodio	TETE D'ACCOUPLMENT AVEC FILTRE	
Range of Nominal Dimensions ( ± mm)		Expert		TESTA D'ACCOPIAMENTO CON FILTRO	
Class	1)	≤ 50	> 50 ≤ 180	> 180 ≤ 400	> 400
Fine		0.5	1.0	1.5	2.0
Medium	X	1.0	2.0	3.0	4.0
Coarse		2.0	3.5	5.0	6.5
Tapped Holes acc. JED-152		Mass	Scale	Material No.	Date of first issue: 2006-09-21
1) Tolerance Class Applied Crossmarked		0.292 KG	1:1	952 201 016 0	Doc.Code Language Sheet
		A 2	CREO	ECN-No.	Revision Techn. Resp.
				173258	8x B 572
					Replacement for
					-

Non e permesso copiare o terzi o riprodurre questo documento, ne utilizzare il contenuto o renderlo comunque noto a terzi senza autorizzazione esplicita. Ogni infrazione costituisce un evidente abuso e comporta il risarcimento dei danni subiti.  
 E' fatta riserva di tutti i diritti derivanti da brevetti o modelli.  
 Copia of this document and giving it to others and the use or communication of the contents thereof, are forbidden without express authority. Contention of this restriction will constitute an evident abuse and result in a liability to the payment of damages. All rights are reserved in the event of the grant of patent or registration of a utility model or design. This document is the subject of copyright.  
 Toute communication ou reproduction de ce document, toute exploitation ou communication de son contenu sont interdites, sauf autorisation expresse. Tout manquement a cette regle constitue un evident abus et entraine la responsabilite de l'auteur de la copie.  
 Alle Rechte fuer den Fall der Patenterteilung oder Gebrauchsmuster-Eintragung vorbehalten.  
 Wskazane sowie wszelkie inne prawa, w tym prawa z dziedziny patentowej, nie sa wazne i nie sa wazne dla niniejszego dokumentu.