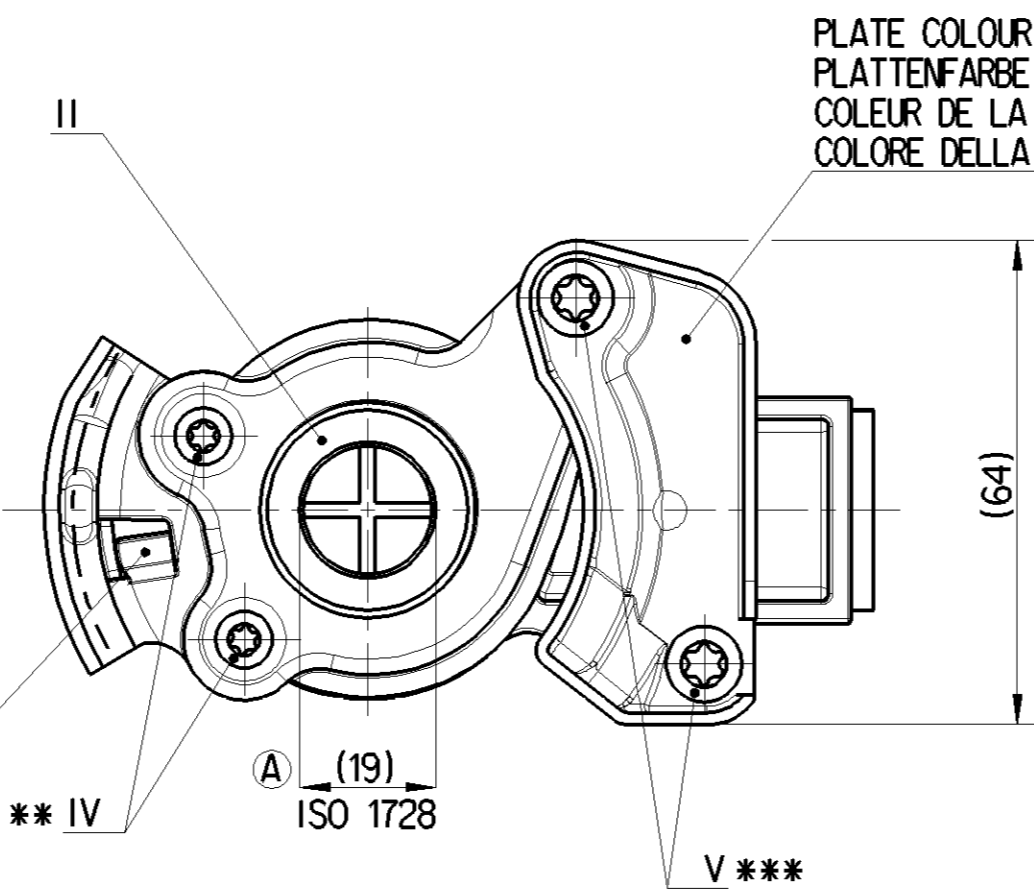
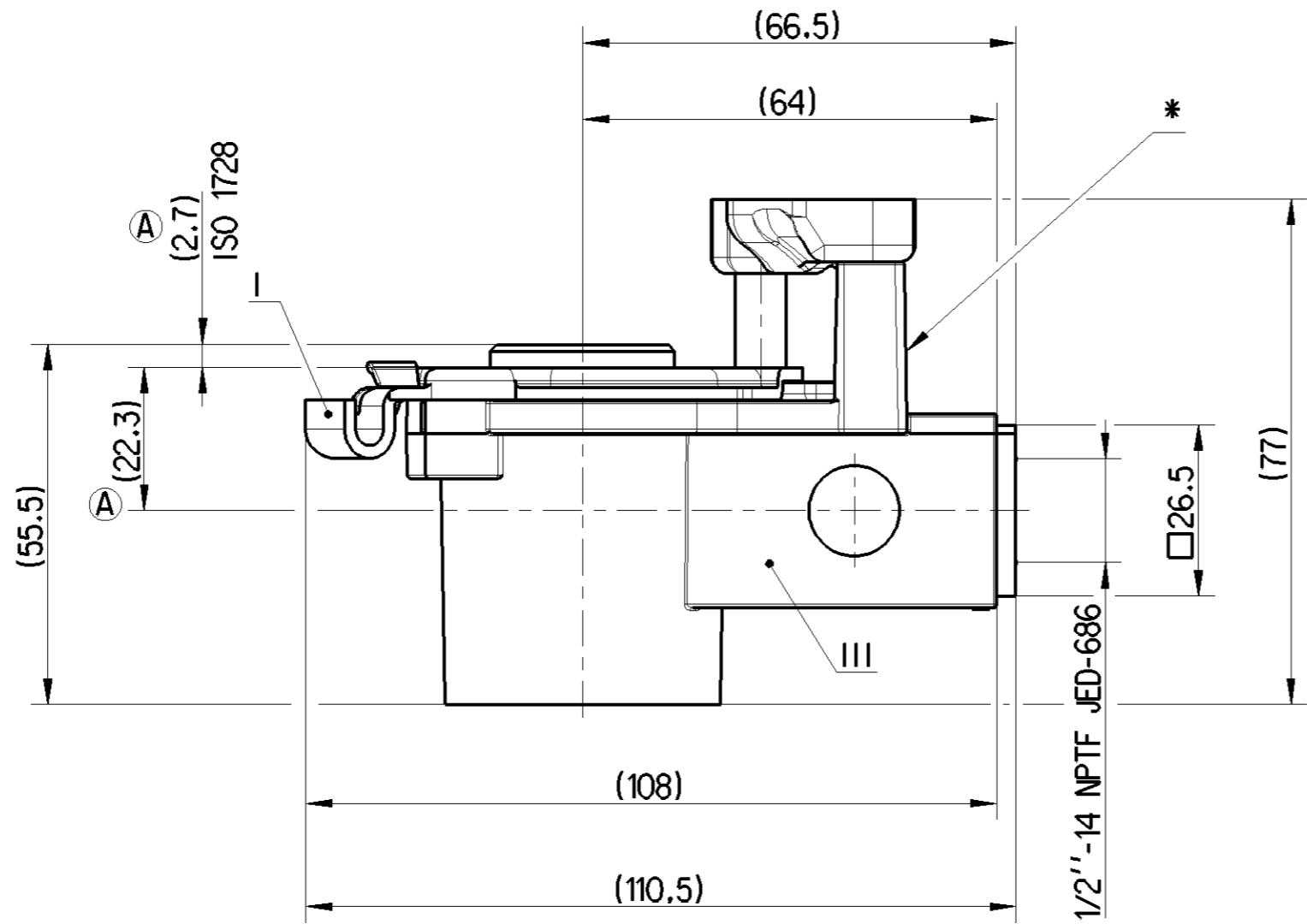


No.	MATERIAL	SURFACE PROTECTION	COMPONENT NAME
I	JED-475-2	JED-256-5 (A)	GUIDE, FUEHRUNG, GUIDE, GUIDA
II	JED-7080M	-	SEALING, DICHTEN, ETANCHEITE, IMPERMEABILIT
III	JED-O29M1	JED-259	BODY, GEHAUSE, CORPO, CORPS USINE
IV	JED-O51M4	JED-256-4 (A)	SCREW, SCHRAUBE, VIS, VITE [M4; class 10.9] (A)
V	JED-O51M1	JED-256-4 (A)	SCREW, SCHRAUBE, VIS, VITE [M6; class 4.8] (A)



SAFEGUARD AGAINST CROSS-COUPLING
 VERTAUSCHSICHERUNG
 SECURITEEN CAS DE DEFAUT DE CONNEXION
 PROTEZIONE CONTRO CONNESSIONE INCORRETTA

PLATE COLOUR RED
 PLATTENFARBE ROT
 COLEUR DE LA PLAQUE ROUGE
 COLORE DELLA PIASTRA ROSSO

* WABCO DEVICE NUMBER, DATE OF MANUFACTURE
 WABCO-GERATE NUMMER, HERSTELLDATUM
 NUMERO DE L'APPAREIL WABCO, DATE DE FABRICATION
 NUMERO DELL'APPARECCHIO WABCO, DATA DI FABBRICAZIONE

TIGHTENING TORQUE FOR NPTF THREAD
 ANZUGSMOMENT FUER GEWINDE NPTF: 40±5Nm
 COUPLE DE SERRAGE POUR FIL NPTF;
 COPPIA DI SERRAGGIO PER FILETTA NPTF:

USAGE VERWENDUNG UTILISATION APPLICAZIONE	SUPPLY LINE VERSORGUNG ALIMENTATION ALIMENTAZIONE
SYMBOL SYMBOL SYMBOL SIMBOLO	ISO 1219
WORKING POSITION EINBAULAGE POSITION DE FONCTIONNEMENT POSIZIONE DI FUNZIONAMENTO	UNIMPORTANT BELIEBIG INDIFFERENTE INDIFFERENTE
WORKING MEDIUM ARBEITSMEDIUM FLUIDE D'UTILISATION FLUIDO DI ESERCIZIO	COMPRESSED AIR DRUCKLUFT AIR COMPRIE ARIA COMPRESSA
NORM NORM NORME NORMA	ISO 1728
AMBIENT MEDIUM UMGEBUNGSMEDIUM FLUIDE AMBIANT FLUIDO AMBIENTE	AIR (CONTAINING WATER, DUST AND OIL) LUFT (WASSER-, STAUB- UND OELHALTIG) AIR (HUMIDE, HUILEUX POUSSIEREUX) ARIA (ACQUA, POLVERE ED OLIO INQUINATO)
WORKING TEMPERATURE THERMISCHER ARBEITSBEREICH TEMPERATURE DE FONCTIONNEMENT TEMPERATURA DI UTILIZZAZIONE	-40° ... +80°C
MAX INLET PRESSURE MAX BETRIEDSDRUCK PRESSION D'ALIMENTATION MAXI TEMPERATURA DI UTILIZZAZIONE	8.5 bar
TORQUE ANZUGSMOMENT COUPLE DE SERRAGE COPPIA DI SERRAGGIO	** *** 1.5 ^{+0.5} ₀ Nm 4 ⁺¹ ₀ Nm

General Specification: JED-334-1, Size ISO 14405 LP		Copyright WABCO®		WABCO	
Further Technical Data: 952 201 000 0 Doc.035		Date	Signature		
Doc. Code	Sheet	To	Drawn		
General Tolerances JED-261			2018-07-02	Balago	
Range of Nominal Dimensions (± mm)			Checked		
Class	1)	≤ 50	> 50 ≤ 180	> 180 ≤ 400	> 400
Fine		0.5	1.0	1.5	2.0
Medium	X	1.0	2.0	3.0	4.0
Coarse		2.0	3.5	5.0	6.5
Tapped Holes acc. JED-152					
1) Tolerance Class Applied Crossmarked					
Mass	Scale	Material No.		Date of first issue: 2006-09-21	
0.319 kg	1:1	952 201 018 0		Doc.Code	Language
Size	CAD System			005	ML
A 2	CREO	ECN-No.	Revision	Techn. Resp.	Replacement for
		173258	9x A	572	-

Non e permesso copiare, o terzi o riprodurre questo documento, ne utilizzare il contenuto o renderlo comunque noto o terzi senza autorizzazione esplicita. Ogni infrazione costituisce un evidente abuso e comportera il risarcimento dei danni subiti. E' fatta riserva di tutti i diritti derivanti da brevetti o modelli.

Copying of this document and giving it to others and the use or communication of the contents thereof, are forbidden without express authority. Contravention of this restriction will constitute an evident abuse and result in a liability to the payment of damages. All rights are reserved in the event of the grant of patent or registration of a utility model or design. This document is the subject of copyright.

Toute communication ou reproduction de ce document, toute exploitation ou communication de son contenu sont interdites, sauf autorisation expresse. Tout manquement a cette regle constitue un abus evident et expose son auteur au versement de dommages et interets. Tous droits de propriete industrielle reserves, notamment en matiere de brevets et de modesles.

Wiedergabe sowie Vervielfaltigung dieser Unterlagen, Verwertung und Mitteilung ihres Inhalts nicht gestattet, soweit nicht ausdrücklich ansonsten, zu wiederholenden stellen eines offentlichen Missbrauch dar und verpflichtet zu Schadenersatz. Alle Rechte hier den Fall der Patentierung oder Gebrauchsmuster-Eintragung vorbehalten.