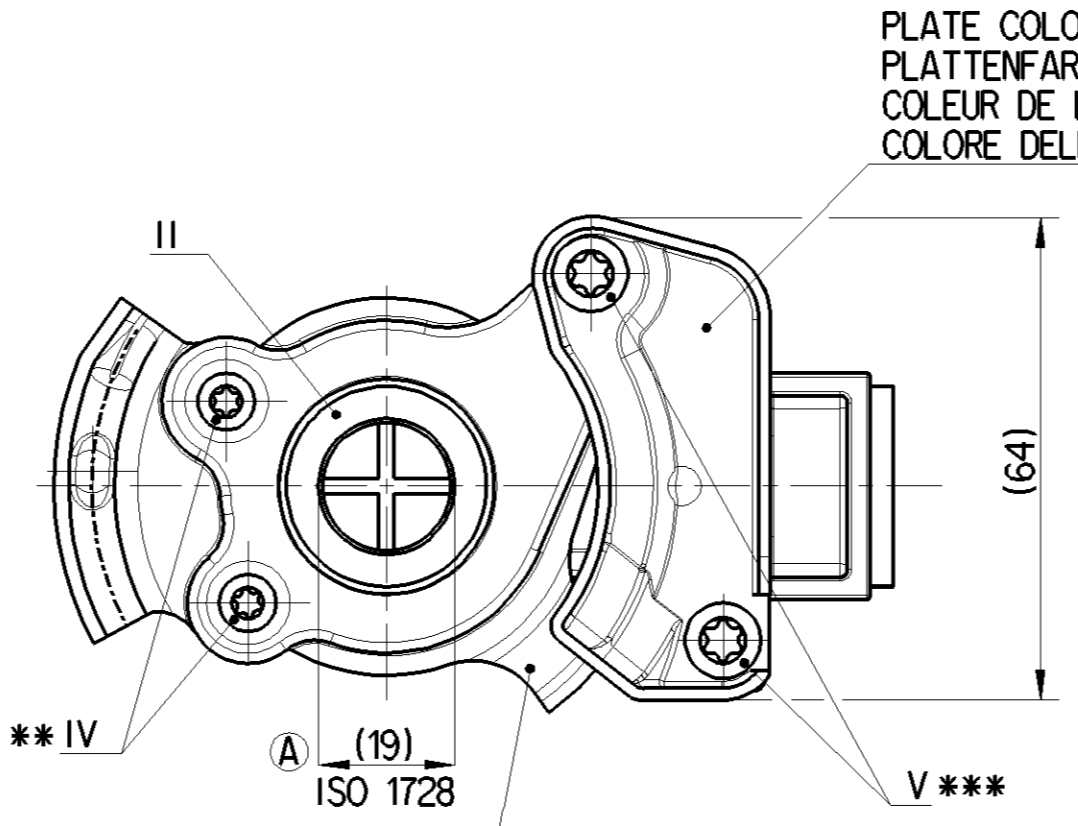
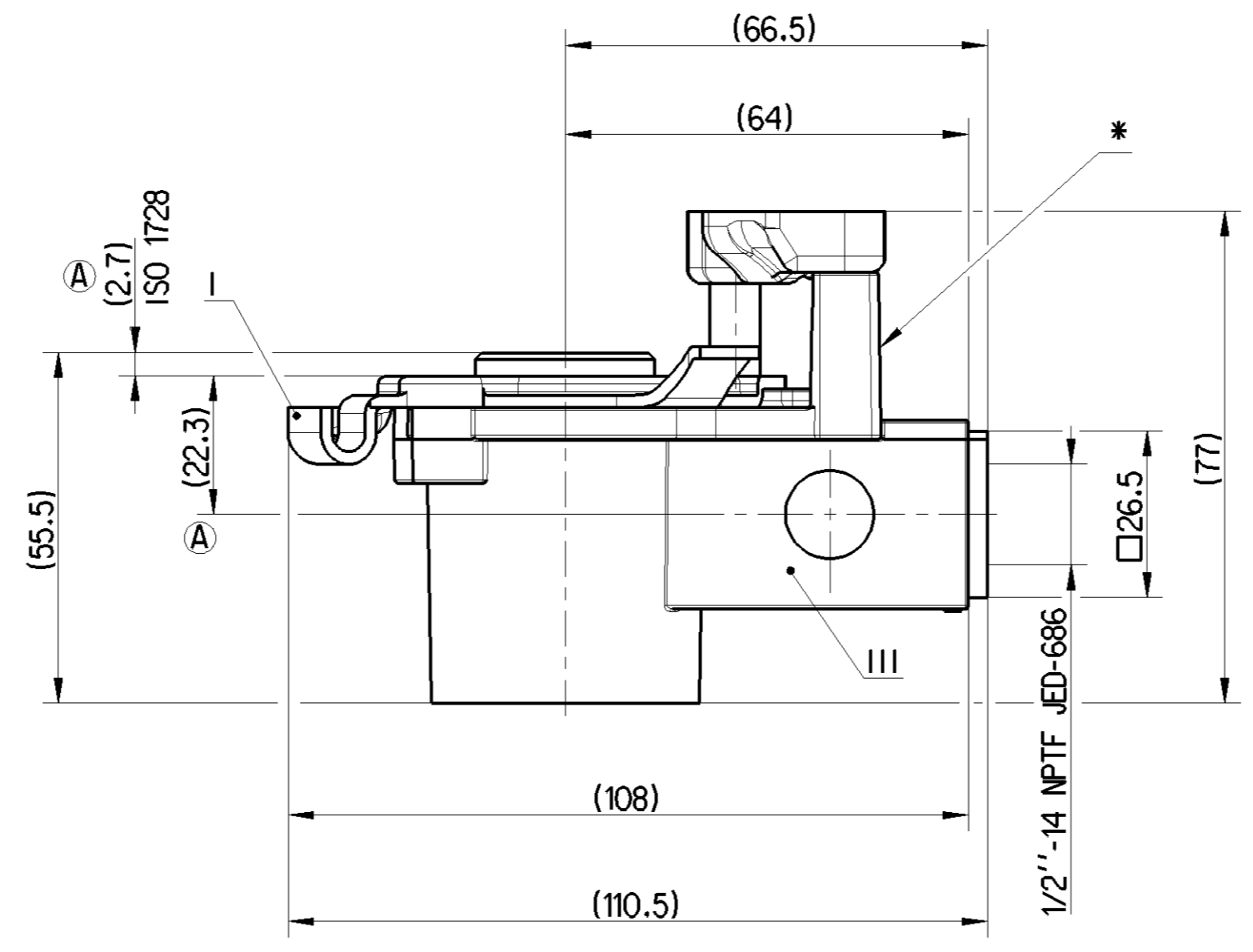


No.	MATERIAL	SURFACE PROTECTION	COMPONENT NAME
I	JED-475-2	JED-256-5 (A)	GUIDE, FUEHRUNG, GUIDE, GUIDA
II	JED-7080M	-	SEALING, DICHTEN, ETANCHEITE, IMPERMEABILIT
III	JED-029M1	JED-259	BODY, GEHAUSE, CORPO, CORPS USINE
IV	JED-051M4	JED-256-4 (A)	SCREW, SCHRAUBE, VIS, VITE [M4; class 10.9] (A)
V	JED-051M1	JED-256-4 (A)	SCREW, SCHRAUBE, VIS, VITE [M6; class 4.8] (A)



SAFEGUARD AGAINST CROSS-COUPLING
 VERTAUSCHSICHERUNG
 SECURITEEN CAS DE DEFAUT DE CONNEXION
 PROTEZIONE CONTRO CONNESSIONE INCORRETTA

USAGE VERWENDUNG UTILISATION APPLICAZIONE	CONTROL LINE BREMSLEITUNG CONDUITE DE COMMANDE TUBAZIONE DEL FRENO	
SYMBOL SYMBOL SYMBOLE SIMBOLO	ISO 1219	
WORKING POSITION EINBAULAGE POSITION DE FONCTIONNEMENT POSIZIONE DI FUNZIONAMENTO	UNIMPORTANT BELIEBIG INDIFFERENTE INDIFFERENTE	
WORKING MEDIUM ARBEITSMEDIUM FLUIDE D'UTILISATION FLUIDO DI ESERCIZIO	COMPRESSED AIR DRUCKLUFT AIR COMPRIE ARIA COMPRESSA	
NORM NORM NORME NORMA	ISO 1728	
AMBIENT MEDIUM UMGEBUNGSMEDIUM FLUIDE AMBIANT FLUIDO AMBIENTE	AIR (CONTAINING WATER, DUST AND OIL) LUFT (WASSER-, STAUB- UND OELHALTIG) AIR (HUMIDE, HUILEUX, POUSSIEREUX) ARIA (ACQUA, POLVERE ED OLIO INQUINATO)	
WORKING TEMPERATURE THERMISCHER ARBEITSBEREICH TEMPERATURE DE FONCTIONNEMENT TEMPERATURA DI UTILIZZAZIONE	-40° ... +80°C	
MAX INLET PRESSURE MAX BETRIEDSDRUCK PRESSION D'ALIMENTATION MAXI TEMPERATURA DI UTILIZZAZIONE	8.5 bar	
TORQUE ANZUGSMOMENT COUPLE DE SERRAGE COPPIA DI SERRAGGIO	** 1.5 ^{+0.5} ₀ Nm	*** 4 ⁺¹ ₀ Nm

PLATE COLOUR BLUE
 PLATTENFARBE BLAU
 COULEUR DE LA PLAQUE BLEU
 COLORE DELLA PIASTRA AZUL

* WABCO DEVICE NUMBER, DATE OF MANUFACTURE
 WABCO-GERATE NUMMER, HERSTELLDATUM
 NUMERO DE L'APPAREIL WABCO, DATE DE FABRICATION
 NUMERO DELL'APPARECCHIO WABCO, DATA DI FABBRICAZIONE

TIGHTENING TORQUE FOR NPTF THREAD
 ANZUGSMOMENT FUER GEWINDE NPTF: 40±5Nm
 COUPLE DE SERRAGE POUR FIL NPTF:
 COPPIA DI SERRAGGIO PER FILETTA NPTF:

General Specification: JED-334-1, Size ISO 14405 LP		Copyright WABCO®		WABCO	
Further Technical Data: 952 201 000 0 Doc.035		Date	Signature		
Doc. Code	Sheet	To	Drawn		
			2018-07-02	Balogo	
General Tolerances JED-261			Checked		
Range of Nominal Dimensions (± mm)			2018-07-06	Piskodio	
Class	1)		Expert		
			Piskodio		
Fine		≤ 50	Mass	Scale	Material No.
Medium	X	> 50 ≤ 180	0.323	1:1	952 201 019 0
Coarse		> 180 ≤ 400	kg		
		> 400	Size	CAD System	Date of first issue: 2006-09-21
			A 2	CREO	Doc.Code Language Sheet
Tapped Holes acc. JED-152					005 ML 1/1
1) Tolerance Class Applied Crossmarked					ECN-No. Revision Techn. Resp. Replacement for
					173258 9x A 572 -

Non e permesso copiare, o terzi o riprodurre questo documento, ne utilizzare il contenuto o renderlo comunque noto a terzi senza autorizzazione esplicita. Ogni infrazione costituisce un evidente abuso e comportera il risarcimento dei danni subiti. E' fatta riserva di tutti i diritti derivanti da brevetti o modelli.
 Coping of this document and giving it to others and the use or communication of the contents thereof, are forbidden without express authority. Contravention of this restriction will constitute an evident abuse and result in a liability to the payment of damages. All rights are reserved in the event of the grant of patent or registration of a utility model or design. This document is the subject of copyright.
 Toute communication ou reproduction de ce document, toute exploitation ou communication de son contenu sont interdites, sauf autorisation expresse. Tout manquement a cette regle constitue un abus evident et expose son auteur au versement de dommages et interets. Tous droits de proprieete industrielle reserves, notamment en matiere de brevets et de modes.
 Weitergabe sowie Vervielfaltigung dieser Unterlagen, Verwertung und Mitteilung ihres Inhalts nicht gestattet, soweit nicht ausdrücklich ansonsten, zu wiederholenden, stellen eine offensichtlichen Missbrauch dar und verpflichten zu Schadensersatz. Alle Rechte hier den Fall der Patenterteilung oder Gebrauchsmuster-Eintragung vorbehalten.