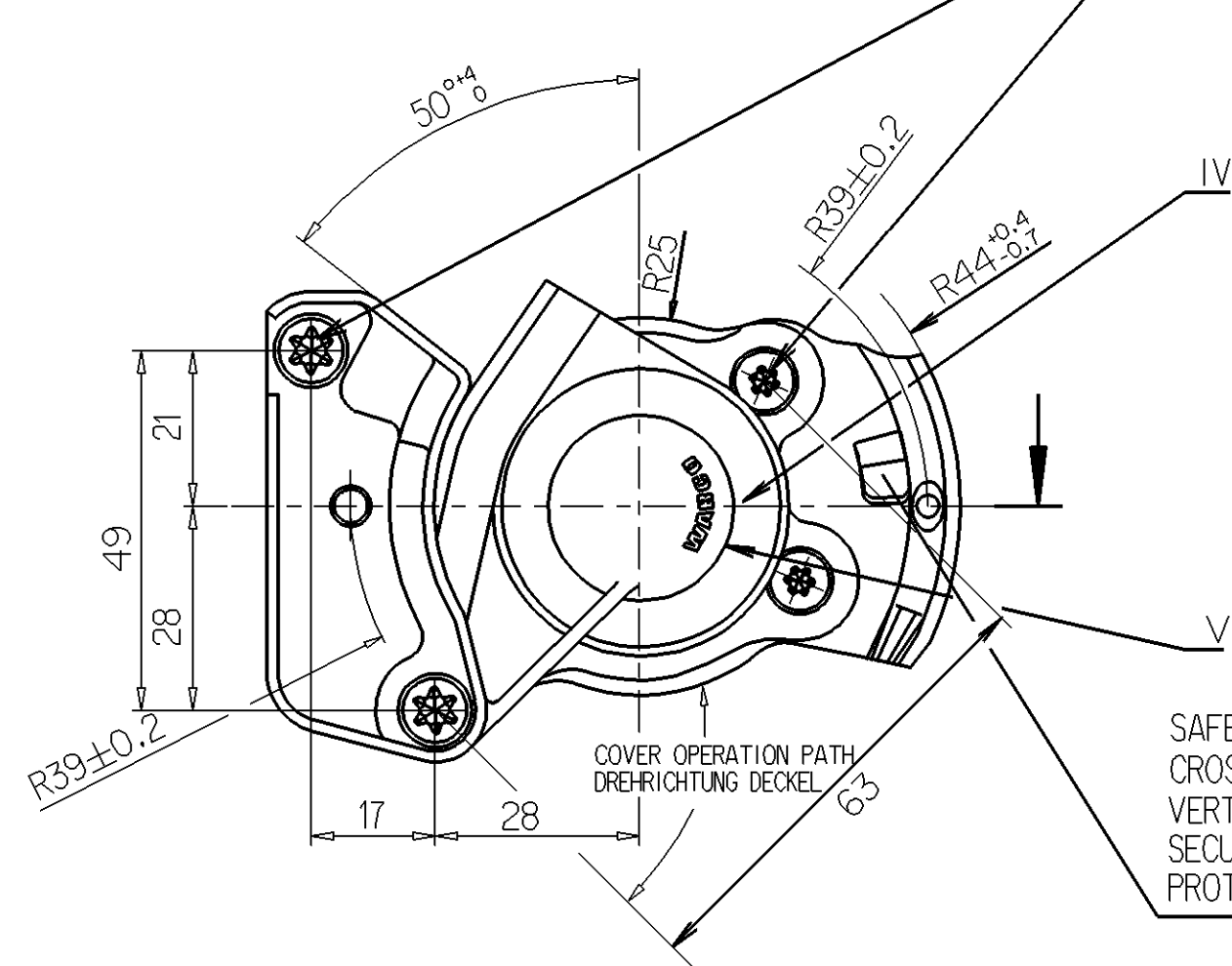
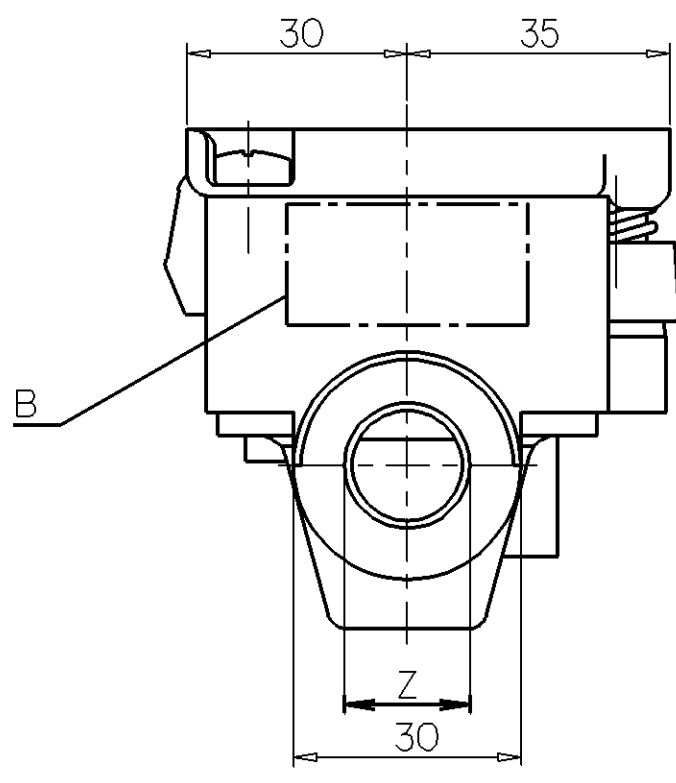
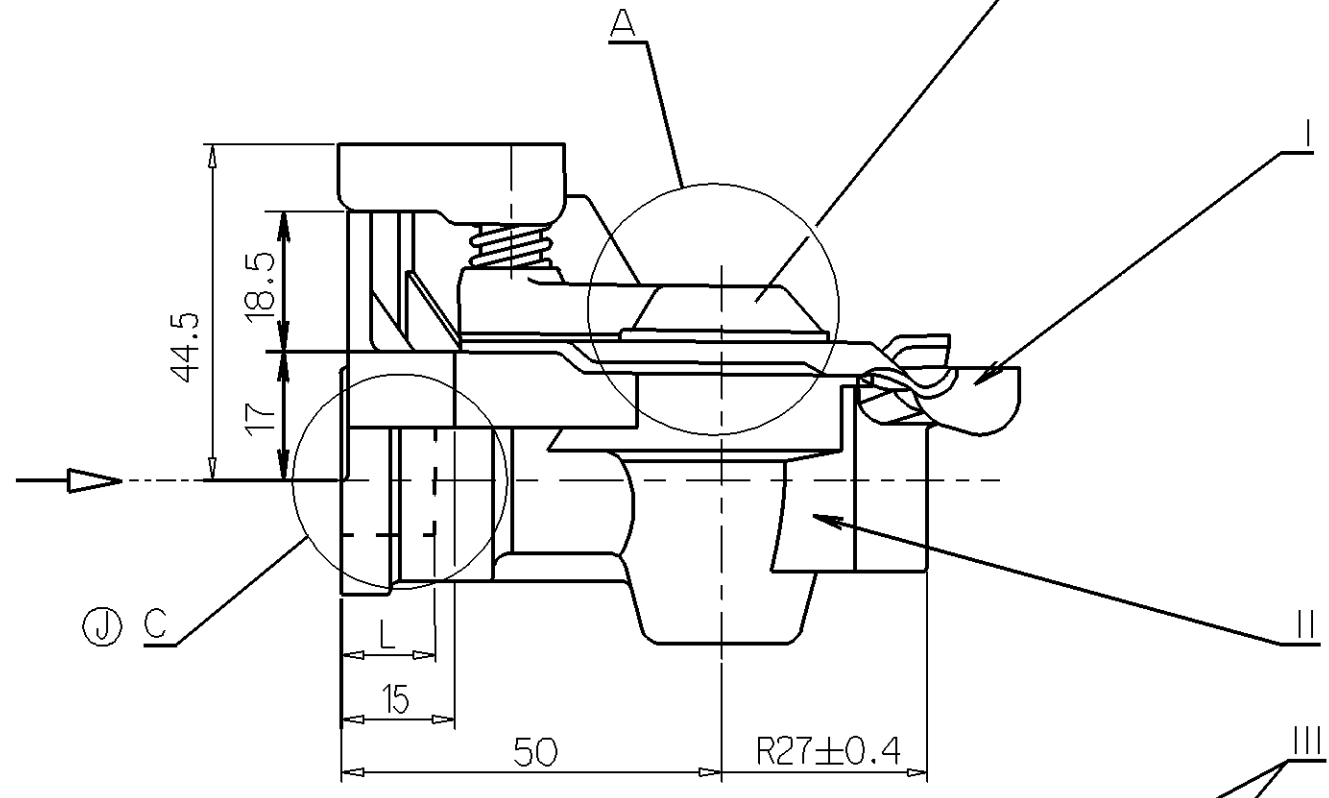


MATERIAL AND SURFACE PROTECTION OF ELEMENT		
I	JED-475-2	JED-257 GUIDE, FUEHRUNG, GUIDE, GUIDA
II	JED-029M1	JED-259 BODY, GEHAEUSE, CORPO, CORPS USINE
III	8.8	JED-257 SCREW, SCHRAUBE, VIS, VITE
IV	POM, PP	- COVER, DECKEL, COUVERCLE, COPERCHIO
V	JED-440.2	- THRUST, DRUCKSTUECK, PULSANTE, POUSSOIR
VI	NEOPRANE	- SEALING, DICHTEN, ETANCHEITE

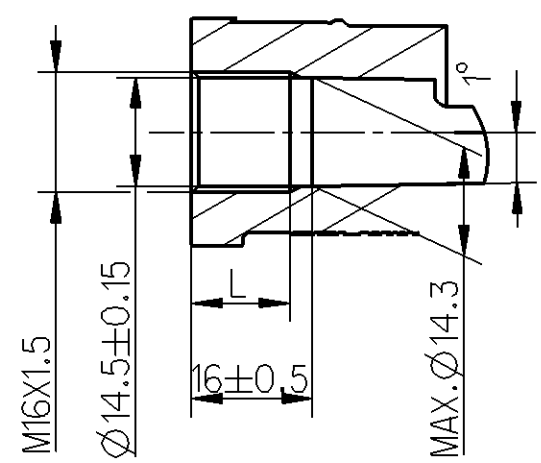
COVER COLOUR RED
 VERSCHLUSSDECKEL FARBE ROT
 COUVERCLE COULEUR ROUGE
 COPERCHIO COLORE ROSSO



SAFEGUARD AGAINST
 CROSS-COUPLING
 VERTAUSCHSICHERUNG
 SECURITEEN CAS DE DEFAUT DE CONNEXION
 PROTEZIONE CONTRO CONNESSIONE INCORRETTA

DETAIL C

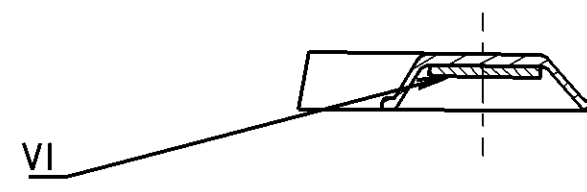
ONLY FOR VARIANT 952 200 007 0
 NUR FUR VARIANTE 952 200 007 0



DETAIL A

ONLY FOR VARIANT 952 200 902 0
 NEOPRANE PLANE SEALING

NUR FUR VARIANTE 952 200 902 0
 MOOSGUMMI FLACHDICHTUNG



DETAIL B

ONLY FOR VARIANT 952 200 225 0
 CUSTOMER'S INFORMATION

NUR FUR VARIANTE 952 200 225 0
 KUNDENSCHILD



USAGE VERWENDUNG UTILISATION APPLICAZIONE	SUPPLY VORRAT ALIMENTATION ALIMENTAZIONE
SYMBOL SYMBOL SYMBOLE SIMBOLO	ISO 1219
WORKING POSITION EINBAULAGE POSITION DE FONCTIONNEMENT POSIZIONE DI FUNZIONAMENTO	UNIMPORTANT BELIEBIG INDIFFERENTE INDIFFERENTE
WORKING MEDIUM ARBEITSMEDIUM FLUIDE D'UTILISATION FLUIDO DI ESERCIZIO	COMPRESSED AIR DRUCKLUFT AIR COMPRIE ARIA COMPRESSA
NORM NORM NORME NORMA	ISO 1728
AMBIENT MEDIUM UMGEBUNGSMEDIUM FLUIDE AMBIANT FLUIDO AMBIENTE	AIR (CONTAINING WATER DUST AND OIL) LUFT (WASSER-, STAUB- UND OELHALTIG) AIR (HUMIDE, HUILEUX, POUSSIEREUX) ARIA (ACQUA, POLVERE ED OLIO INQUINATO)
WORKING TEMPERATURE THERMISCHER ARBEITSBEREICH TEMPERATURE DE FONCTIONNEMENT TEMPERATURA DI UTILIZZAZIONE	-40° +80°C
MAX INLET PRESSURE MAX BETRIEDSDRUCK PRESSION D'ALIMENTATION MAXI PRESSIONE MASSIMA D'ALIMENTAZIONE	10 BAR

Non è permesso copiare o terzi o riprodurre questo documento, né utilizzare il contenuto o renderlo comunque noto a terzi.
 E' fatto riserva di tutti i diritti, espressi o non, e di tutti i brevetti e marchi.
 Copying of this document and giving it to others and the use or communication of the contents thereof, are forbidden without express
 permission of the author. All rights reserved. The author's name and the name of the company are reserved in the event of the grant of patent or registration of a utility model or design. This document is the subject of copyright.

Toute communication ou reproduction de ce document, toute exploitation ou communication de son contenu sont interdites, sauf autorisation expresse.
 Toute réimpression ou utilisation non autorisée sans le consentement de l'auteur ou de ses ayants droit est formellement interdite.
 Weitergabe sowie Vervielfältigung dieses Unterlages, Verwertung und Mitteilung ihres Inhalts nicht gestattet, soweit nicht ausdrücklich zugestimmt.
 Alle Rechte für den Fall der Patentierung oder Gebrauchsmuster-Eintragung vorbehalten.

952 200 007 0	M16x1.5	-	13±1	34	
452 200 211 0	M22x1.5	-	min 15,5	53	
952 200 902 0	M16x1.5	ADDITIONAL SEALING ZUSATZLICHE DICHTUNG	min 13	34	
952 200 225 0	M16x1.5	JED-464	min 13	34	
952 200 221 0	M16x1.5	-	min 13	34	
IDENTIFICATION BENENNING DENOMINATION DENOMINAZIONE	CUSTOMER NO. KUNDEN-NR. NO. DU CLIENT NO. CLIENTE	Z	REMARKS BEMERKUNGEN REMARKS NOTE	L	MAX TORQUE [Nm]

General Specification: JED-334-0		Copyright WABCO®		WABCO	
Further Technical Data: see PS 9522000000 doc.035		Date	Signature	HOSE COUPLING KUPPLUNGSKOPF TETE D'ACCOUPEMENT TESTA D'ACCOPIAMENTO	
Doc. Code:	Sheet: To	2013-03-18	Balaga	06-04-07	
General Tolerances JED-261		Checked	Hladik	Doc. Code Language Sheet	
Range of Nominal Dimensions (± mm)		Expert		053 ML 1/1	
Class 1)	≤ 50 > 50 > 180 > 400	BUCZYLKO		Material No.	
Fine	0.5 1.0 1.5 2.0	Mtss	Scale	Date of first issue: 06-04-07	
Medium	1.0 2.0 3.0 4.0	0.22	1:1	952 897 009 0	
Coarse	2.0 3.5 5.0 6.5	Size	CAD System	ECN-No. Revision Techn. Resp.	
Tapped Holes acc. JED-152		A 2	Pro/E	160951 3 x J 5710	
1) Tolerance Class Applied Crossmarked				Replacement for	

100mm