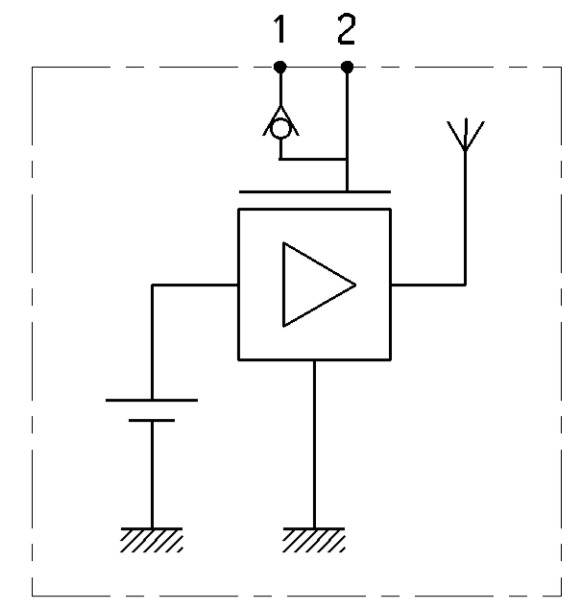
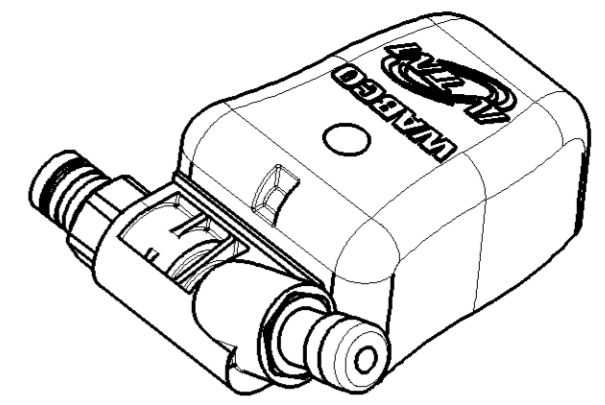
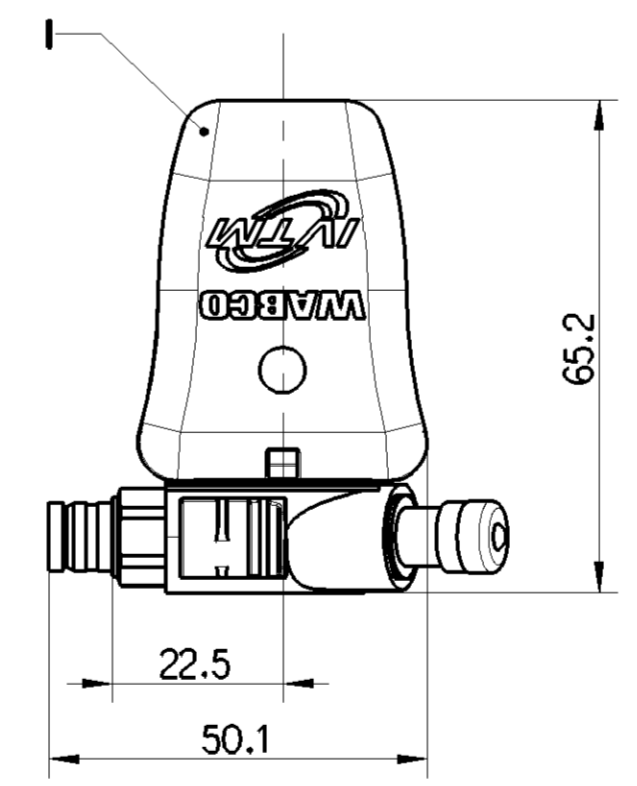
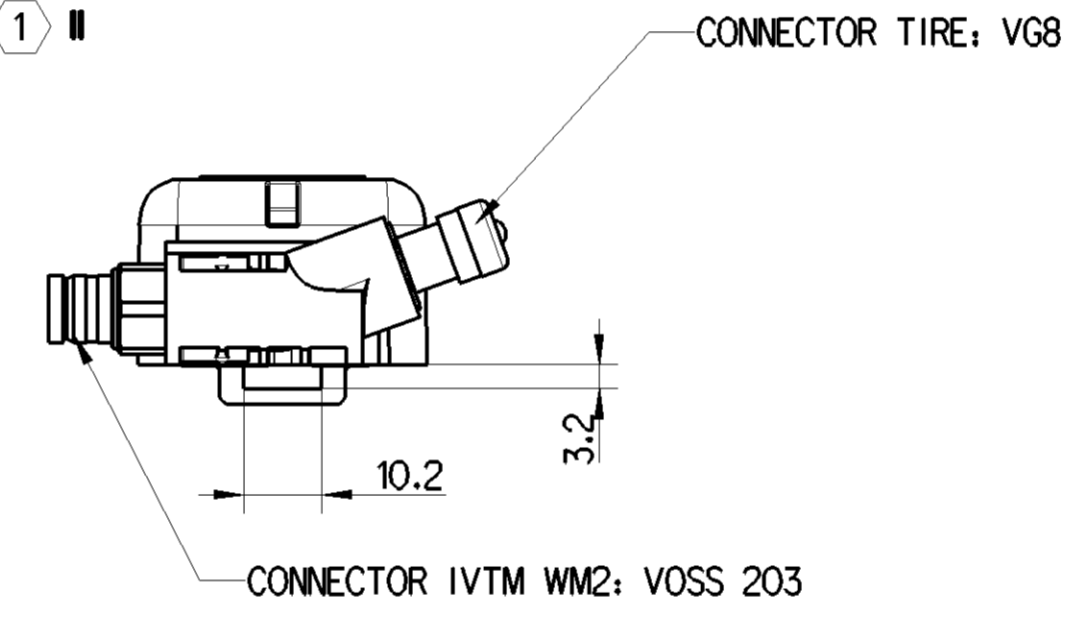
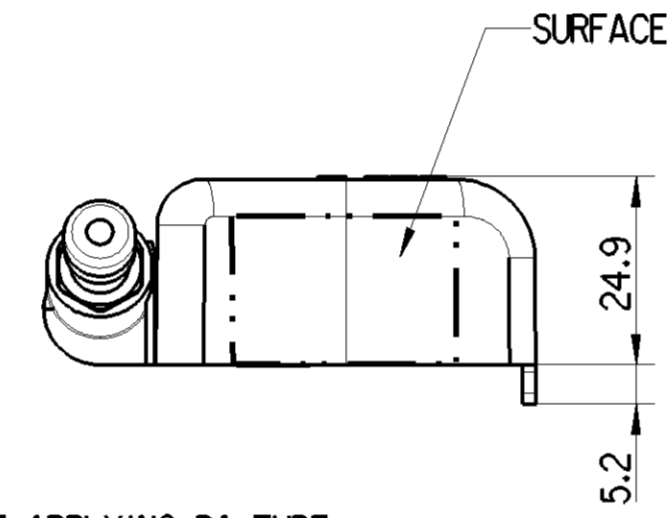
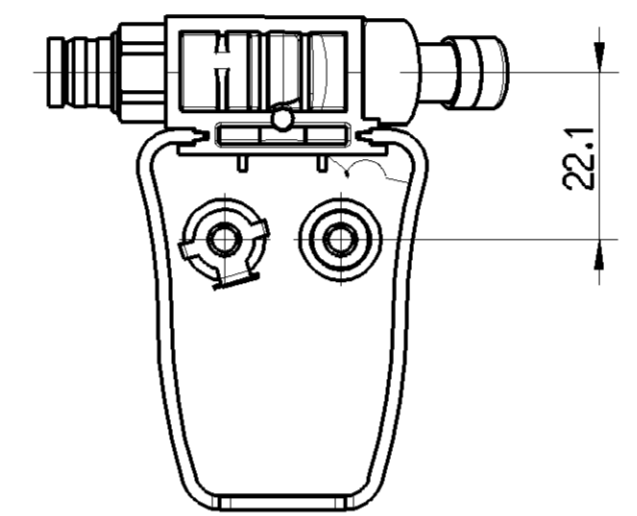
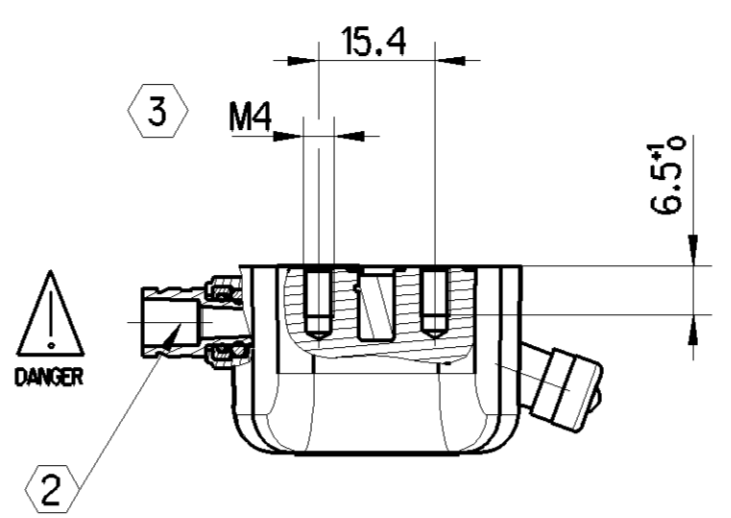


A	MINIMUM REQUIRED DEPTH OF THREAD ENGAGEMENT	5.5mm
	MAXIMUM PERMISSIBLE DEPTH OF THREAD ENGAGEMENT	6.5mm
	MINIMUM DIAMETER OF THE SCREW HEAD	7.5mm
	MINIMUM STRENGTH CLASS OF MATERIALS FOR SCREWS	8.8
	FOR THE CONSTRUCTION OF THE BRACKET THE LOADS DEPENDENT ON THE INSTALLATION LOCATION ARE TO BE CONSIDERED ACCORDING TO ISO16750. THE RADIO TRANSMISSION PATH HAS TO BE CHECKED AND WARRANTED BY THE CUSTOMER SELF DEPENDENT. A CONSULTATION WITH WABCO IS RECOMMENDED.	
B	BY NOT OBSERVE THE TECHNICAL SPECIFICATIONS OCCURS DANGER FOR HUMAN AND ENVIRONMENT.	
	③ THE BOLTED CONNECTION HAS TO BE SECURED AGAINST SELF-LOOSENING SELF DEPENDENT. WABCO SUGGEST LOCTITE	TORQUE: 2.5 ±0.5 Nm ↔

⚠ DANGER ENSURE EXTENSION LOCKING BEFORE INFLATING; ANY UNINTENDED DETACHMENT HAS TO BE PREVENTED



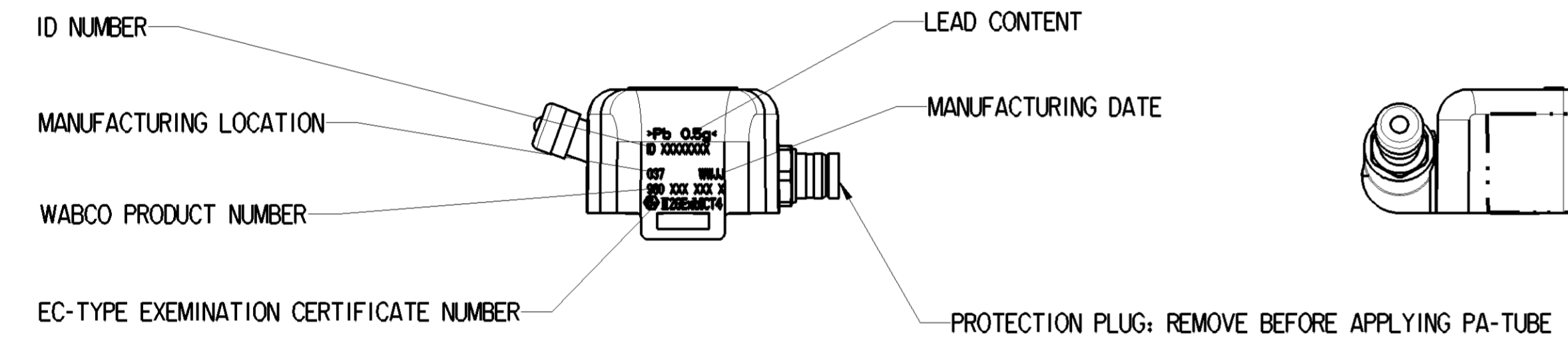
FUNCTIONAL SCHEME

↔ SAFETY CHARACTERISTICS	0
↔ SIGNIFICANT CHARACTERISTICS	2

PRECISION	Temperature	0...+70°C	-20...+0°C	-40...-20°C
	max FSO [%]	1.33	+70...+85°C	+85...+125°C

RF POWER	-12 dBm
TRANSMITTER FREQUENCY	min 433.82MHz max 434.02MHz
THERMAL RANGE	-40 °C...+90 °C AND 120 °C - 24h
MEDIUM:	AIR
EMC NUMBER:	E1 10R-058164
MEASURING RANGE:	200 < P < 1400 kPa RELATIVE TO ATMOSPHERIC PRESSURE= 100kPa
DEGREE OF PROTECTION WITH EXTENSION	IP6K6K IP6K7 IP6K9K
FOR FURTHER TECHNICAL DATA SEE PRODUCT SPECIFICATION	960 731 990 0
① LABEL, CONTENTS SEE DOCUMENT "LABELING INFORMATION"	960 731 003 0 (DOC. CODE 922)
② PUSH-TO-CONNECT WITH PA-TUBE 6 X 1,5; PA12PHLY ONLY	

CONTAINS LITHIUM BATTERY	Li CONTENT: 0,15g
MATERIAL	SURFACE PROTECTION
I JED-352-9	-
II SELF-ADHESIVE FOIL/ POLYESTER	-



Tutti i diritti sono riservati. È vietata espressamente la ristampa o l'uso non autorizzato senza permesso scritto dalla WABCO. È vietata espressamente la ristampa o l'uso non autorizzato senza permesso scritto dalla WABCO. È vietata espressamente la ristampa o l'uso non autorizzato senza permesso scritto dalla WABCO. È vietata espressamente la ristampa o l'uso non autorizzato senza permesso scritto dalla WABCO.

General Specification: ISO 9015, JED-334-1, Size ISO 14405 LP

Copyright WABCO®

Doc. Code: 960 731 003 0

Sheets: 1 To: 1

Date: 2023-02-16

Drawn: Markuszewski

Checked: Cornelius

Material No.: 960 731 003 0

Date of first issue: 2008-06-02

Doc. Code: 005 EN 1/1

Revision: 1x G 6033

Replacement for: 6033

Scale: 1:1

Mass: 0.080 kg

Dimensions in mm: A 1 CREO

1) Tolerance Class Applied Crossmarked