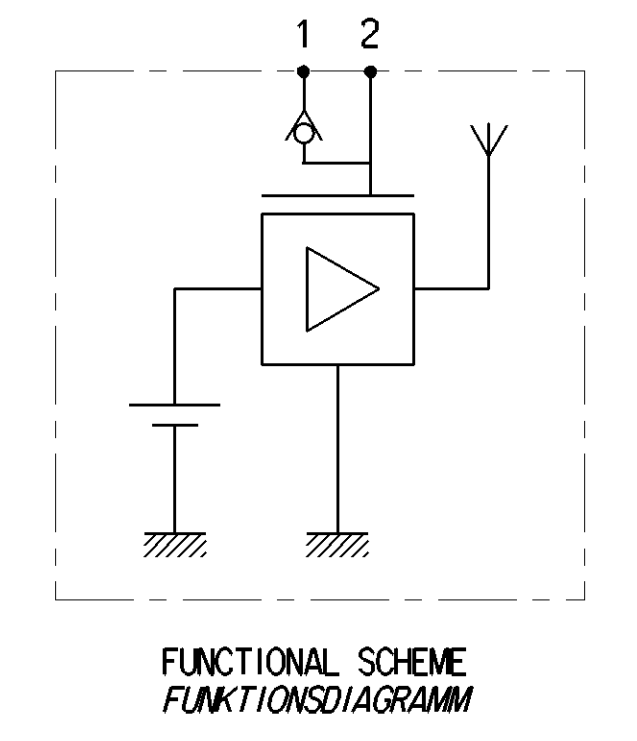
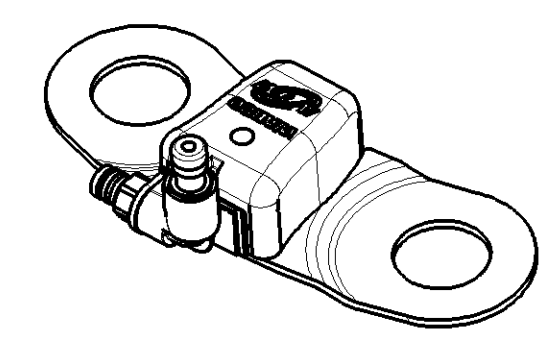


SAFETY CHARACTERISTICS	0
SIGNIFICANT CHARACTERISTICS	2

**! DANGER** ENSURE EXTENSION LOCKING BEFORE INFLATING; ANY UNINTENDED DETACHMENT HAS TO BE PREVENTED  
 VOR DRÜCKBEAUFSCHLAGUNG GEWÄHRLEISTEN, DASS DIE SCHLAUCHVERLÄNGERUNG EINGERASTET IST UND SICH NICHT SELBSTTÄTIG LOESEN KANN

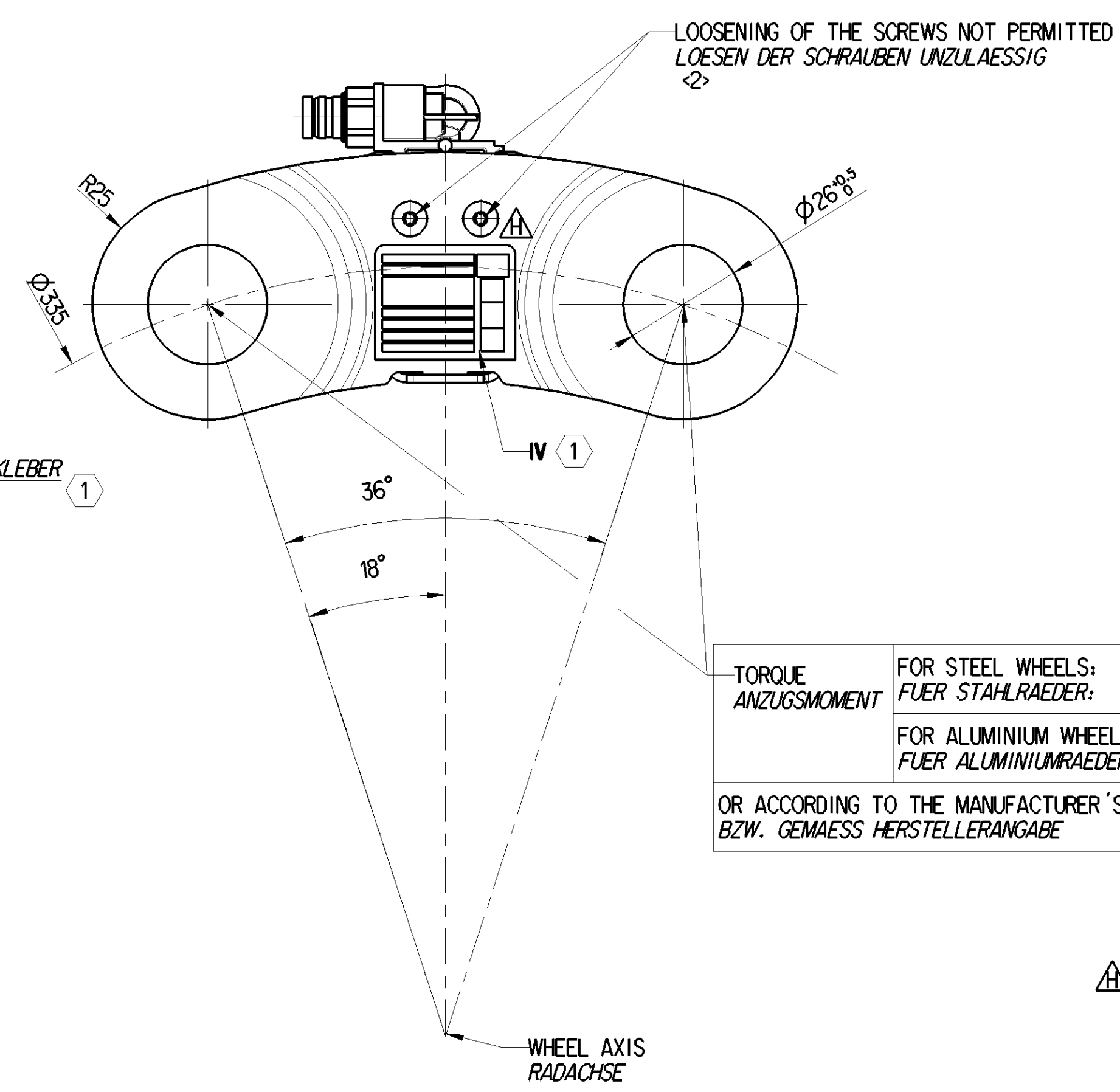
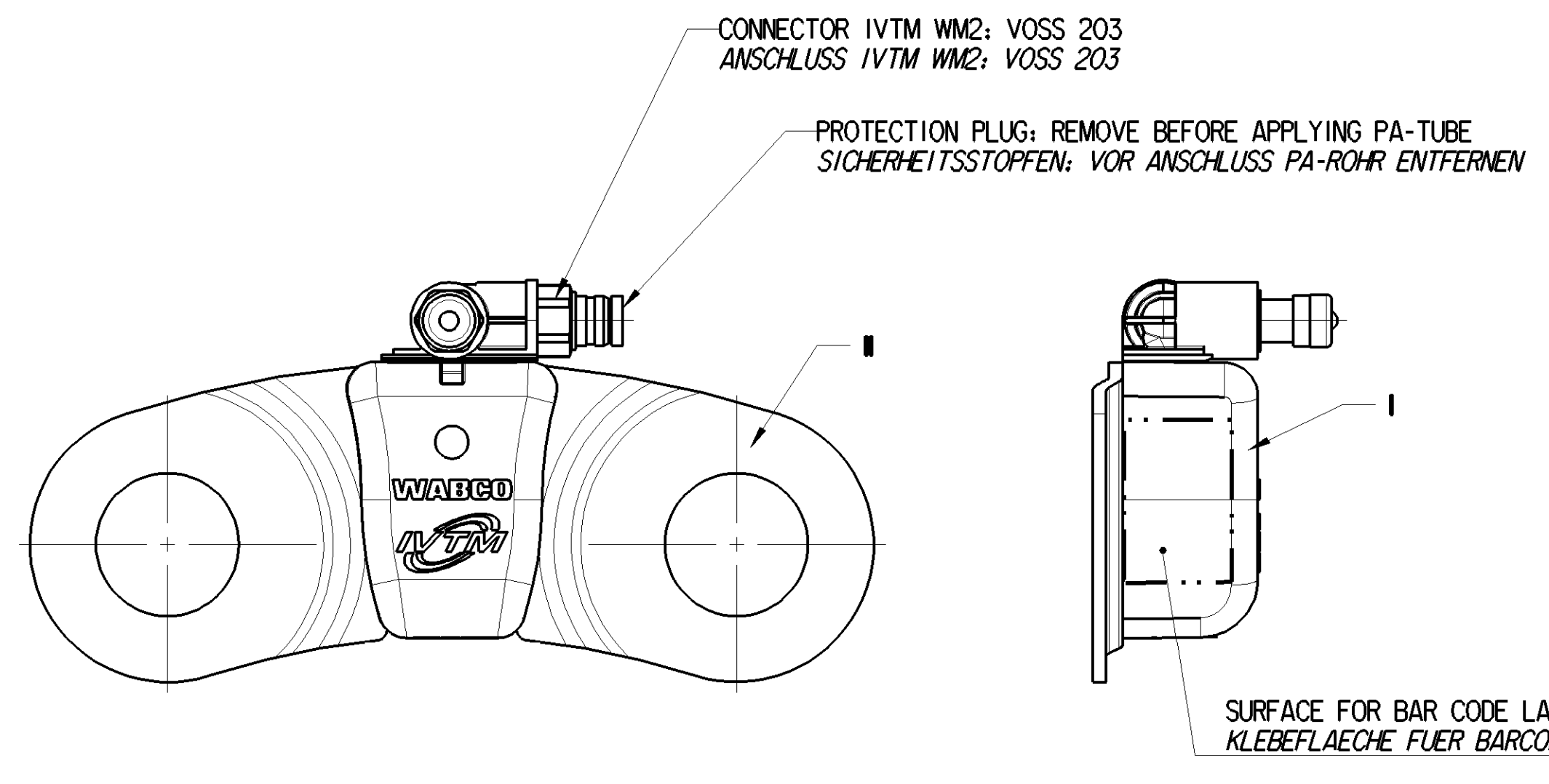
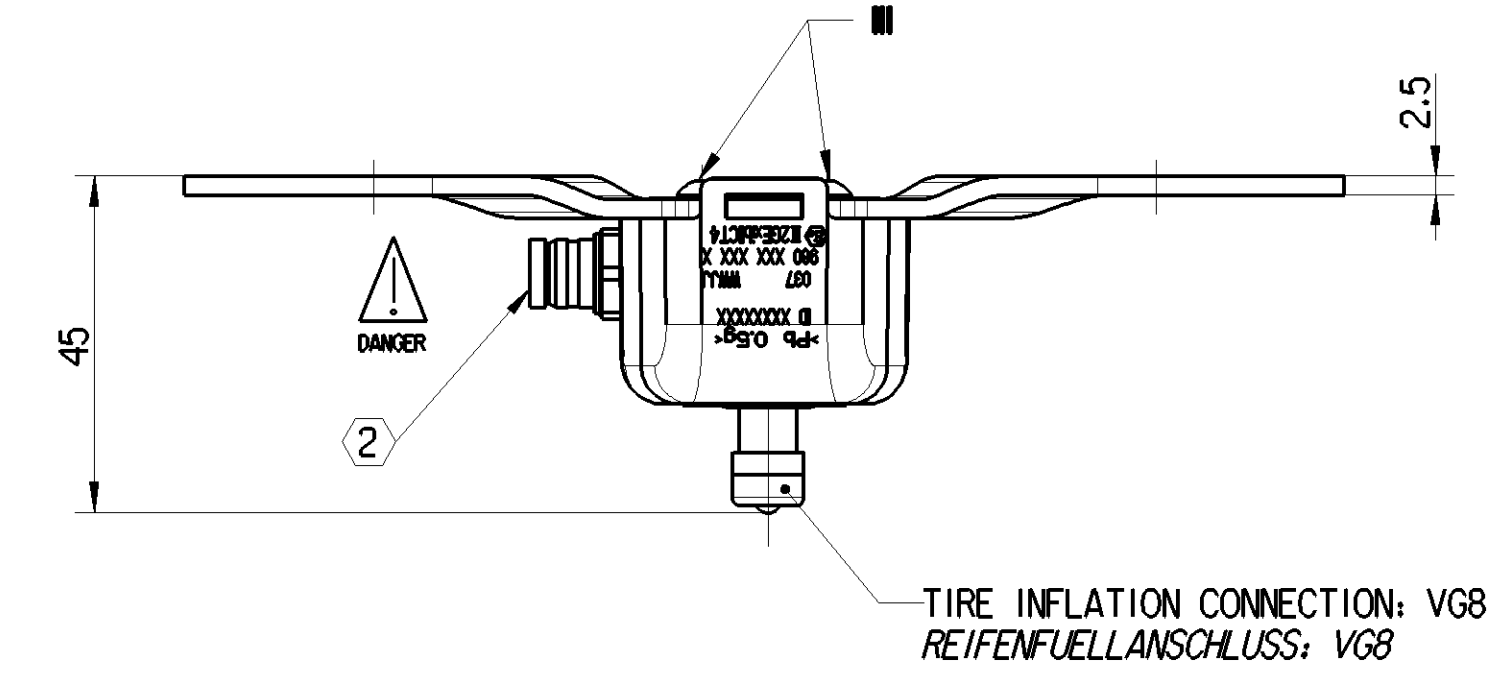
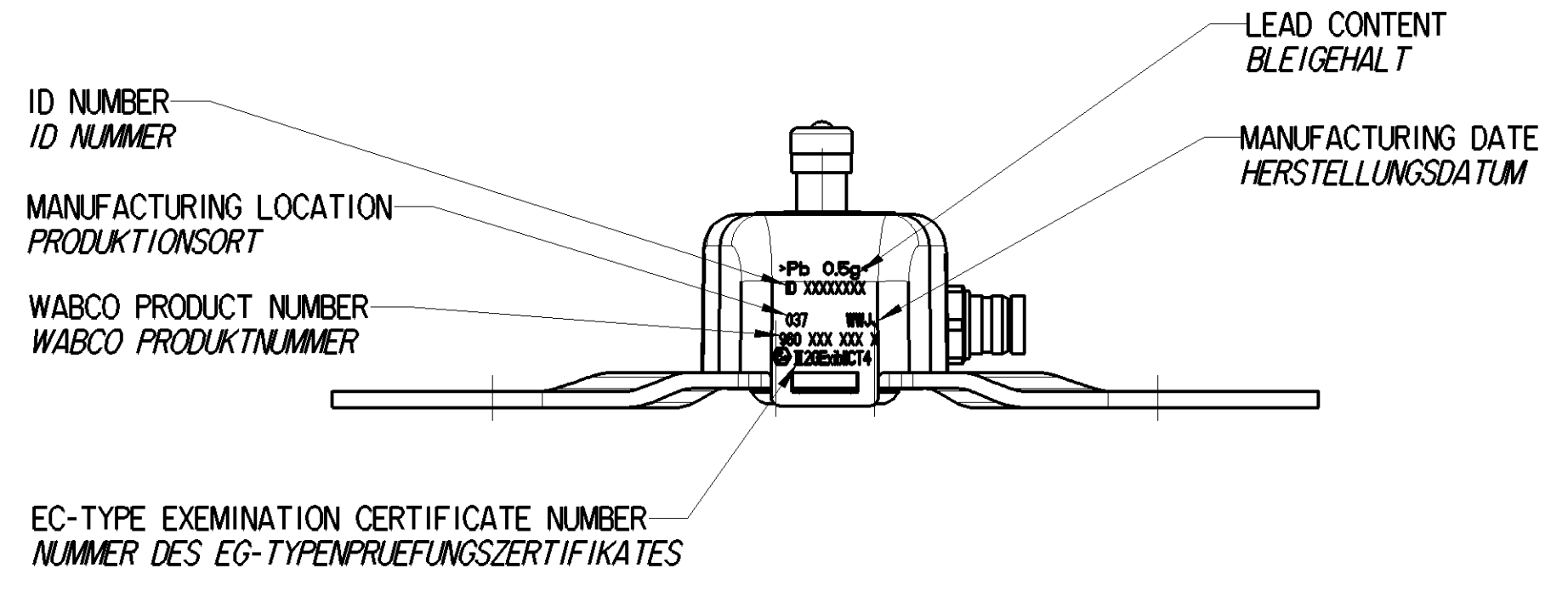


PRECISION GENAUIGKEIT	Temperature	0...+70°C	-20...0°C	-40...-20°C
	max FSO [%]	1.33	+70...+85°C	+85...+125°C
			2	3.2

RF POWER SENDELEISTUNG	-12 dBm
TRANSMITTER FREQUENCY SENDEFREQUENZ	min 433.82MHz max 434.02MHz
THERMAL RANGE THERM. ANWENDUNGSBEREICH	-40°C...+90°C AND 120°C - 24h
MEDIUM: MEDIUM:	AIR LUFT
EMC NUMBER: EMC NUMBER:	<b>E1</b> 10R-058164
MEASURING RANGE: DRUCK MESS BEREICH:	RELATIVE TO ATMOSPHERIC PRESSURE= 100kPa RELATIV ZUM ATMOSPHAERENDRUCK= 100kPa
DEGREE OF PROTECTION WITH EXTENSION SCHUTZART MIT VERLÄNGERUNG	IP6K6K IP6K7 IP6K9K
FOR FURTHER TECHNICAL DATA SEE PRODUCT SPECIFICATION WEITERE TECHNISCHE DATEN SIEHE PRODUKT SPEZIFIKATION	960 731 990 0

- ① LABEL, CONTENTS SEE DOCUMENT "LABELING INFORMATION" 960 731 011 0 (DOC. CODE 922)
- ② PUSH-TO-CONNECT WITH PA-TUBE 6 X 1,5; PA12PHLY ONLY  
PUSH-TO-CONNECT NUR MIT PA-TUBE 6 X 1,5; PA12PHLY

CONTAINS LITHIUM BATTERY ENTHÄLT LITHIUM BATTERIE	Li CONTENT: 0,15g LITHIUM ANTEIL 0,15g
MATERIAL WERKSTOFF	SURFACE PROTECTION OBERFLÄCHENSCHUTZ
I JED-352-9	-
II Fe JED-589-1	Zn/C JED-739-3 COLOUR SHADE: SILVER FARBTON : SILBER
III STEEL STAHL	ZINC COATING ACCORDING TO JED-256-4 VERZINKUNG NACH JED-256-4
IV SELF-ADHESIVE FOIL/ SELBSTKLEBENDE FOLIE/ POLYESTER	-



TORQUE ANZUGSMOMENT	FOR STEEL WHEELS: FUER STAHLRAEDER:	450-550 Nm
	FOR ALUMINIUM WHEELS: FUER ALUMINIUMRAEDER:	550-650 Nm

OR ACCORDING TO THE MANUFACTURER'S SPECIFICATIONS  
BZW. GEMAESS HERSTELLERANGABE

General Specification: ISO 9015, JED-334-1, Size ISO 14405 LP

Copyright WABCO®

Further Technical Data: Date: 2023-01-30, To: 2023-02-20, Drawn: Markuszewski, Checked: Cornelius

Doc. Code: 960 731 011 0, Sheet: 1/1

Material No.: 960 731 011 0, Date of first issue: 2007-06-26

Mass: 0.230 kg, Scale: 1:1, Revision: 2x, Techn. Resp.: 6033

Dimensions in mm: Class 1) ≤ 50 > 50 > 180 > 400, Fine: ±0.5, ±1, ±1.5, ±2, Medium: ±1, ±2, ±3, ±4, ±3°, Course: ±2, ±3.5, ±5, ±6.5

Trapped Holes acc. JED-152

1) Tolerance Class Applied Crossmarked

Non è permesso copiare o riprodurre questo documento, né utilizzare il contenuto o i marchi communi (non a fini di lucro) senza permesso scritto dalla WABCO. È vietata espressamente la ristampa o l'uso non autorizzato di questo documento. Toute réimpression ou utilisation non autorisée sans la permission écrite de la WABCO est formellement interdite. Toute utilisation non autorisée sera considérée comme une violation des lois en vigueur. All rights reserved. No part of this document may be reproduced or transmitted in any form or by any means electronic or mechanical, including photocopying and recording, or by any information storage or retrieval system, without prior written permission from WABCO. All rights reserved.