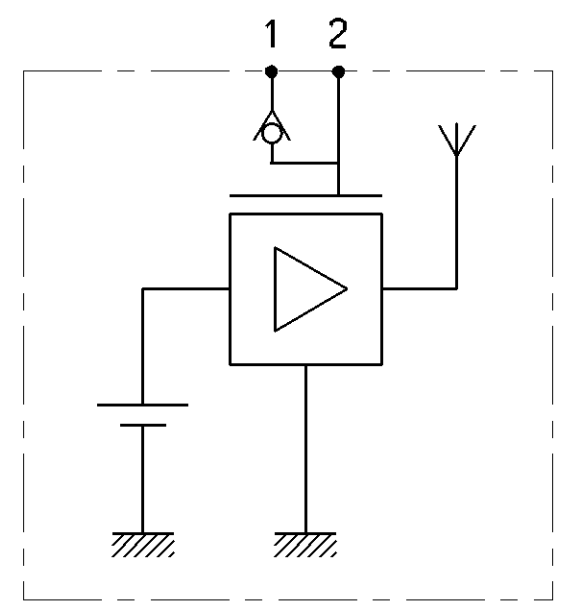
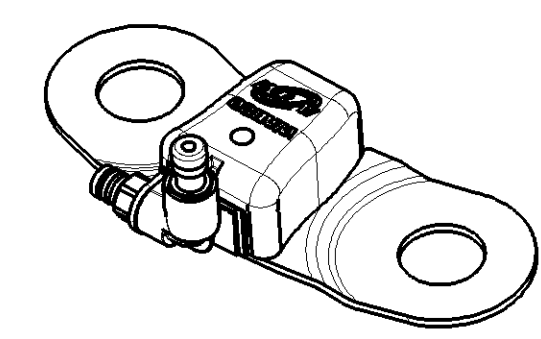


<1> SAFETY CHARACTERISTICS	0
<2> SIGNIFICANT CHARACTERISTICS	2

! DANGER ENSURE EXTENSION LOCKING BEFORE INFLATING; ANY UNINTENDED DETACHMENT HAS TO BE PREVENTED
 VOR DRUCKBEAUFSCHLAGUNG GEWAHRLEISTEN, DASS DIE SCHLAUCHVERLAENGERUNG EINGERASTET IST UND SICH NICHT SELBSTTÄETIG LOESEN KANN



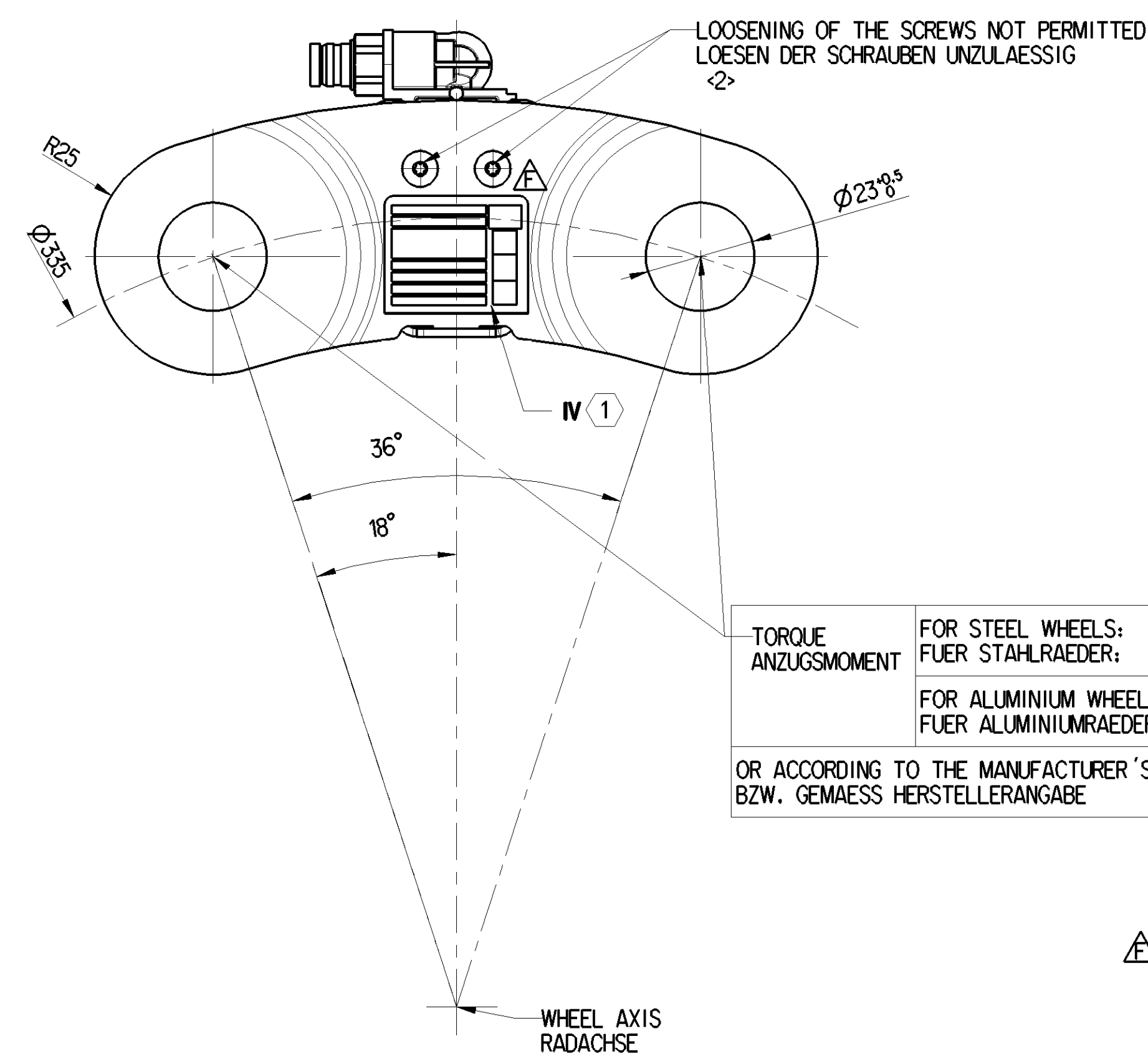
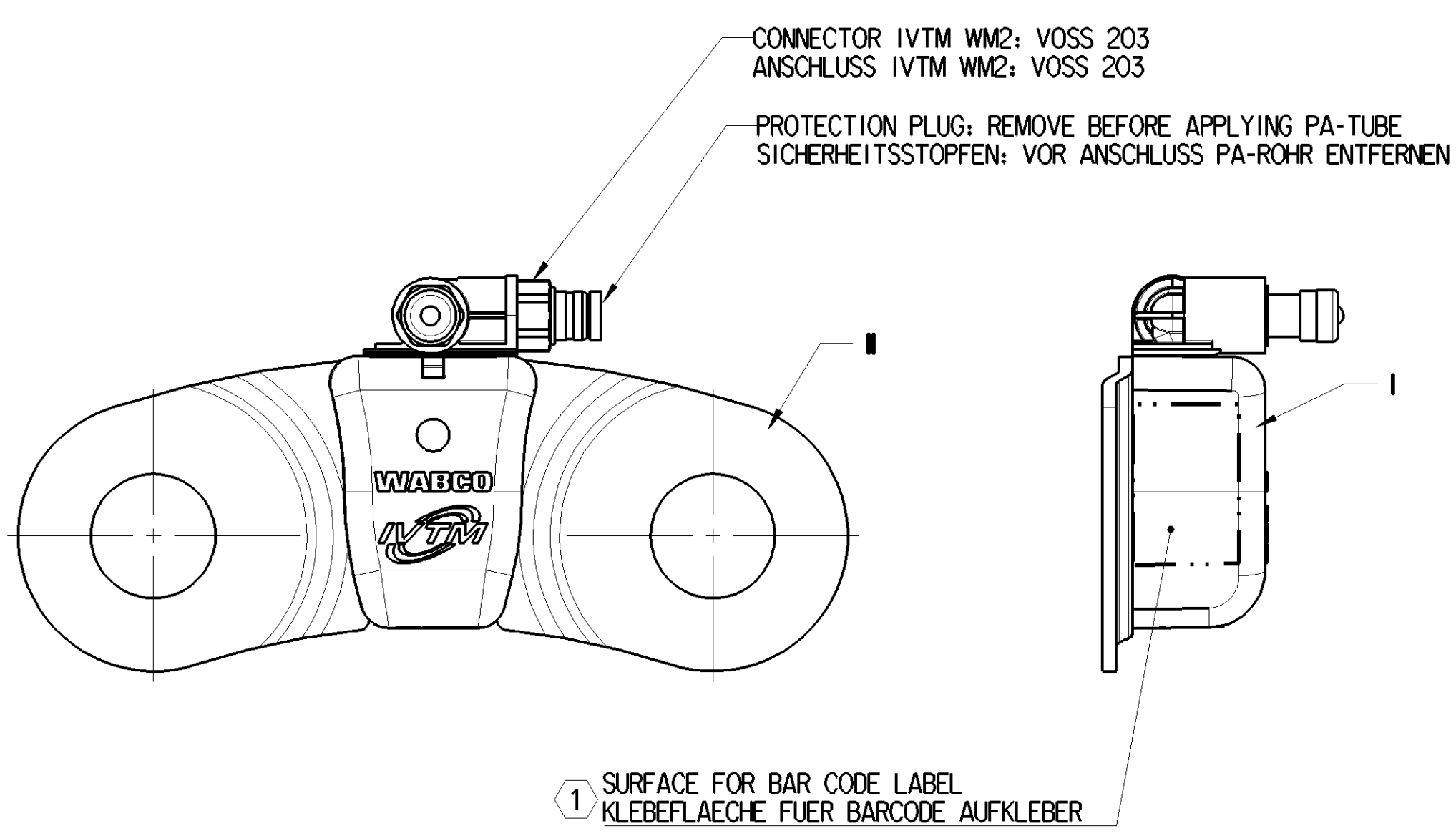
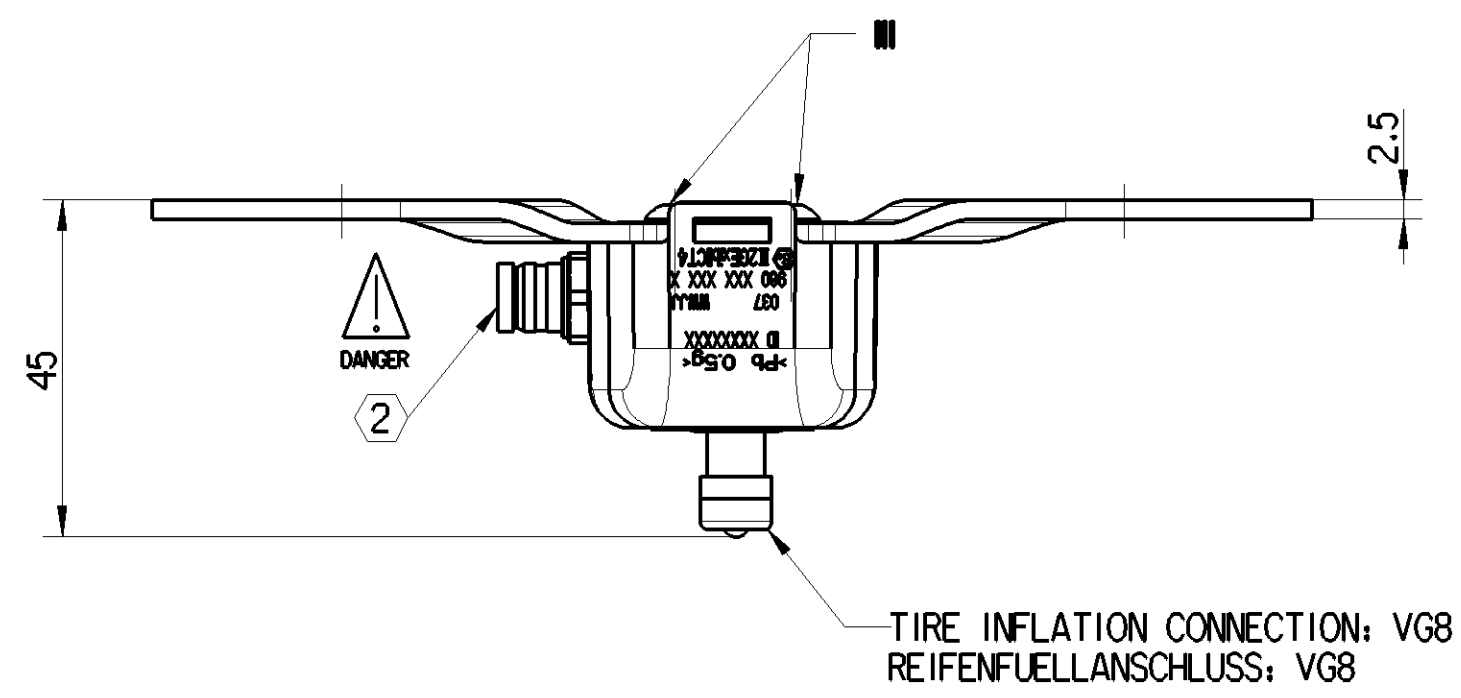
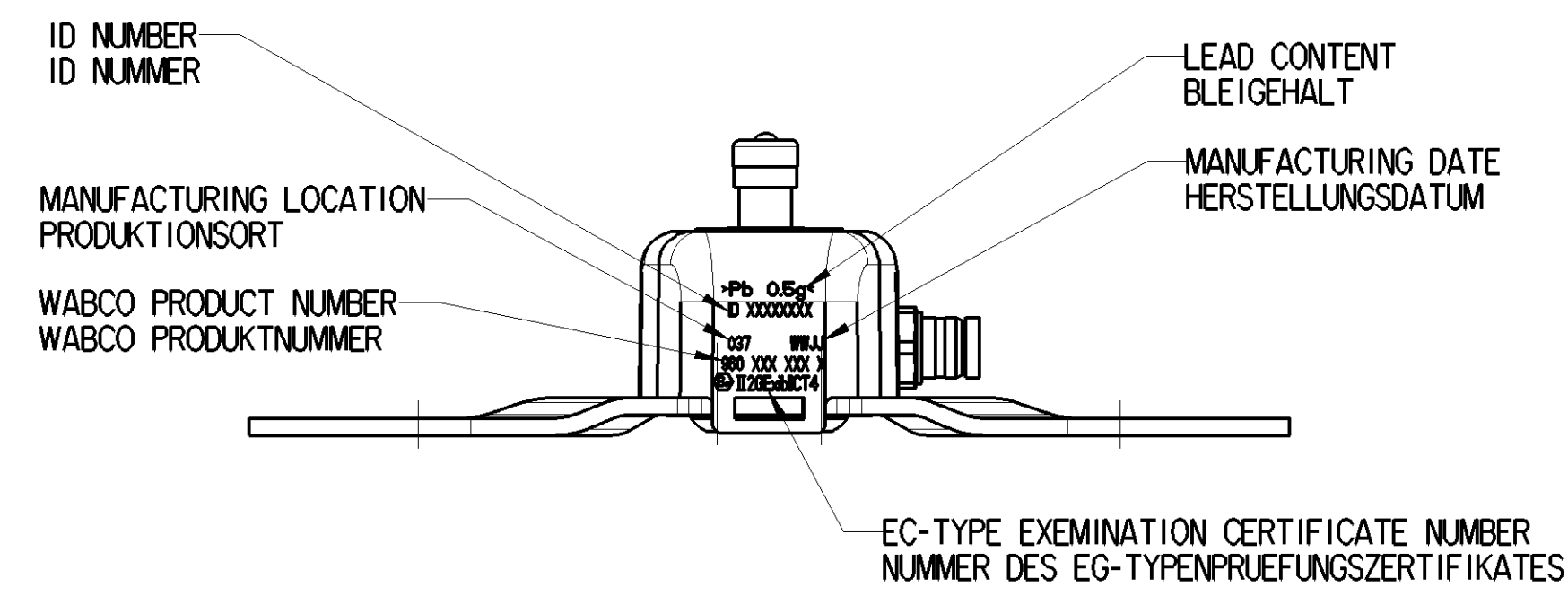
FUNCTIONAL SCHEME
FUNKTIONSDIAGRAMM

PRECISION GENAUIGKEIT	Temperature	0...+70°C	-20...0°C	-40...-20°C
	max FSO [%]	1.33	+70...+85°C	+85...+125°C
			2	3.2

RF POWER SENDELEISTUNG	-12 dBm
TRANSMITTER FREQUENCY SENDEFREQUENZ	min 433.82MHz max 434.02MHz
THERMAL RANGE THERM. ANWENDUNGSBEREICH	-40°C...+90°C AND 120°C - 24h
MEDIUM: MEDIUM:	AIR LUFT
EMC NUMBER: EMC NUMBER:	E1 10R-058164
MEASURING RANGE: DRUCK MESS BEREICH:	200 < P < 1400 kPa RELATIVE TO ATMOSPHERIC PRESSURE= 100kPa RELATIV ZUM ATMOSPHAERENDRUCK= 100kPa
DEGREE OF PROTECTION WITH EXTENSION SCHUTZART MIT VERLAENGERUNG	IP6K6K IP6K7 IP6K9K
FOR FURTHER TECHNICAL DATA SEE PRODUCT SPECIFICATION WEITERE TECHNISCHE DATEN SIEHE PRODUKT SPEZIFIKATION	960 731 990 0

- <2> ① LABEL, CONTENTS SEE DOCUMENT "LABELING INFORMATION" 960 731 017 0 (DOC. CODE 922)
- ② PUSH-TO-CONNECT WITH PA-TUBE 6 X 1,5; PA12PHLY ONLY
PUSH-TO-CONNECT NUR MIT PA-TUBE 6 X 1,5; PA12PHLY

CONTAINS LITHIUM BATTERY ENTHÄLT LITHIUM BATTERIE	Li CONTENT: 0,15g LITHIUM ANTEIL 0,15g
MATERIAL WERKSTOFF	SURFACE PROTECTION OBERFLÄCHENSCHUTZ
I JED-352-9	-
II Fe JED-589-1	Zn/C JED-739-3 COLOUR SHADE: SILVER FARBTON : SILBER
III STEEL STAHL	ZINC COATING ACCORDING TO JED-256-4 VERZINKUNG NACH JED-256-4
IV SELF-ADHESIVE FOIL/ SELBSTKLEBENDE FOLIE/ POLYESTER	-



TORQUE ANZUGSMOMENT	FOR STEEL WHEELS: FUER STAHLRAEDER:	450-550 Nm
	FOR ALUMINIUM WHEELS: FUER ALUMINIUMRAEDER:	550-650 Nm
OR ACCORDING TO THE MANUFACTURER'S SPECIFICATIONS BZW. GEMAESS HERSTELLERANGABE		

General Specification: ISO 9015, JED-334-1, Size ISO 14405 LP

Copyright WABCO®

Doc. Code: 960 731 017 0

Sheet: 1 of 1

Material No.: 960 731 017 0

Date of first issue: 2008-04-16

Doc. Code: 960 731 017 0

Language: DE

Sheet: 1/1

Scale: 1:1

Revision: 2x

Techn. Resp.: 6033

Replacement for: 960 731 011 0

1) Tolerance Class Applied Crossmarked

Non è permesso copiare o riprodurre questo documento, né utilizzare il contenuto a fini di ricerca, commerciale o altri. È vietata espressamente la ristampa o l'uso non autorizzato. Toute réimpression ou utilisation non autorisée sans la permission écrite de la WABCO est formellement interdite. Toute réimpression ou utilisation non autorisée sans la permission écrite de la WABCO est formellement interdite. All rights reserved. No part of this document may be reproduced, stored in a retrieval system, or transmitted in any form or by any means, electronic, mechanical, photocopying, recording, or by any information storage and retrieval system, without the prior written permission of WABCO.