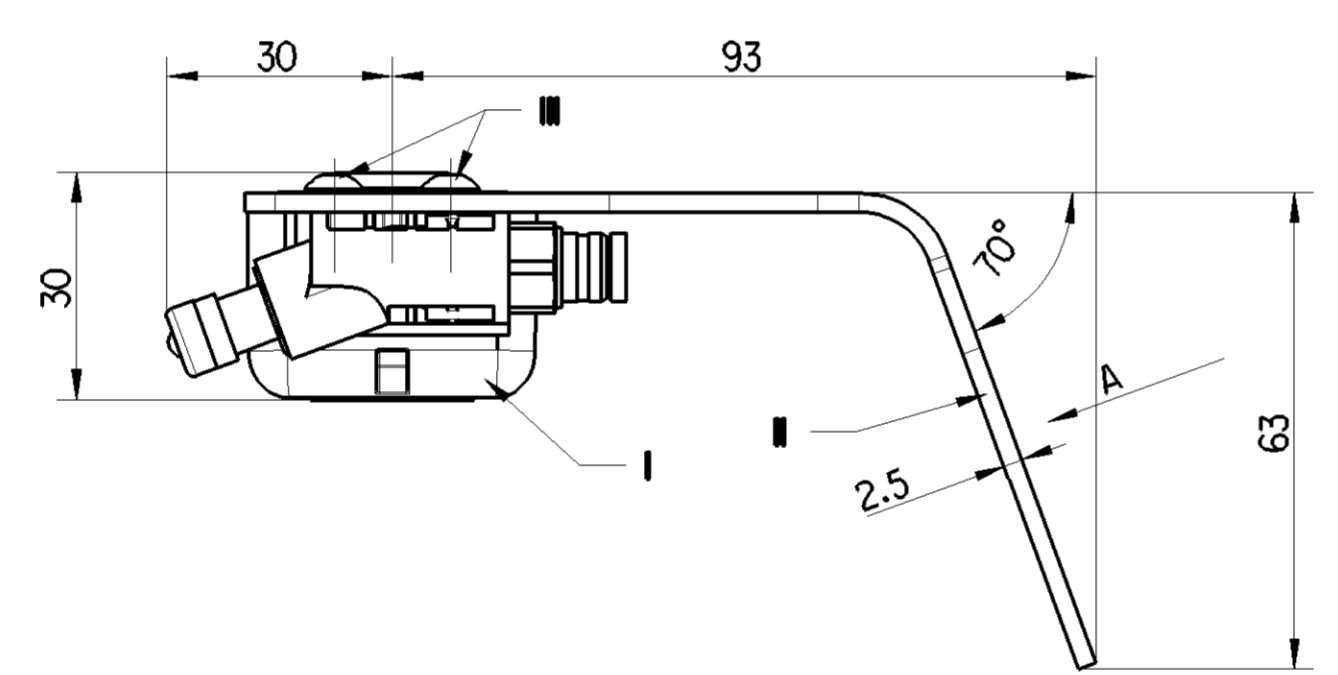
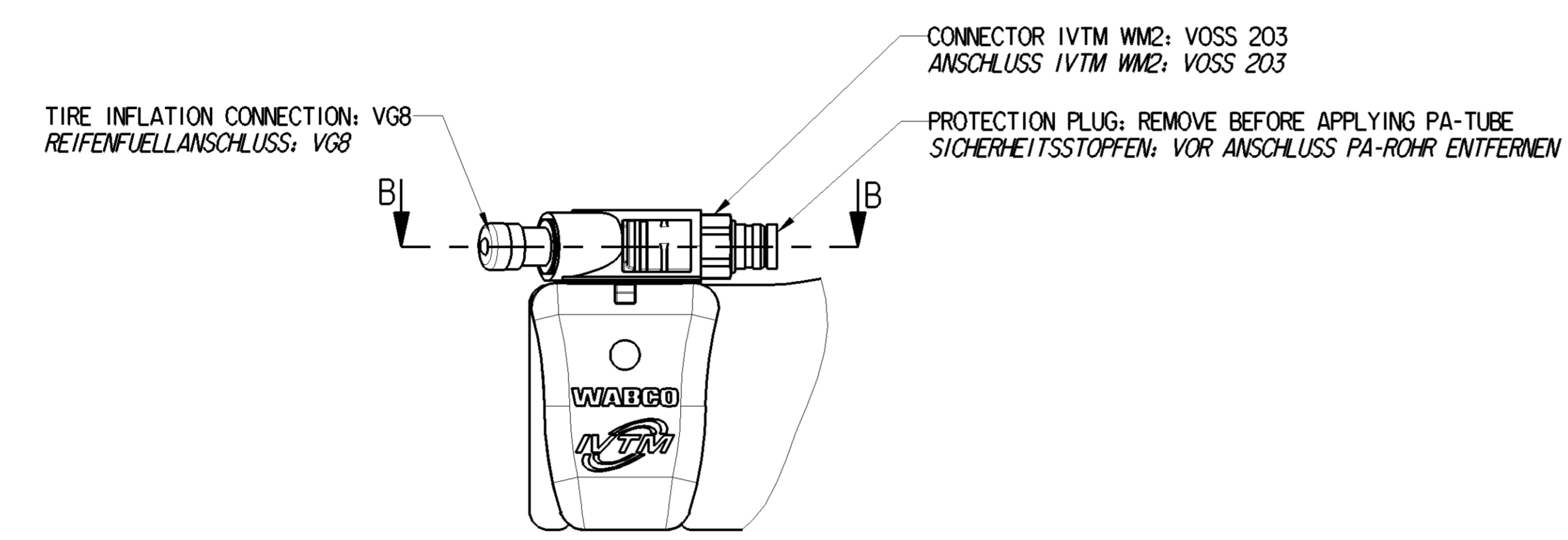
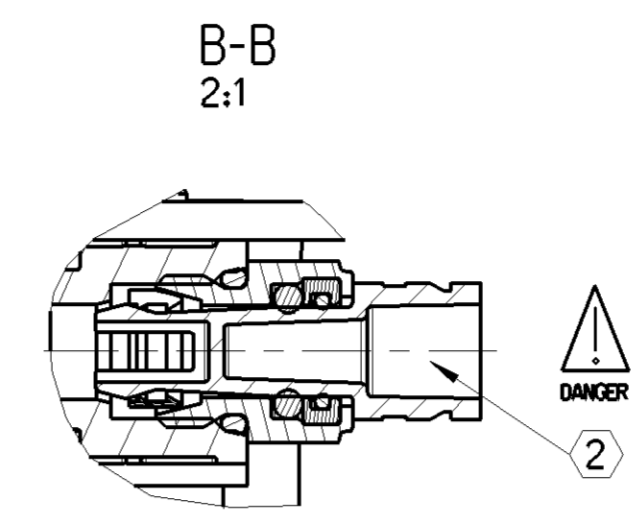
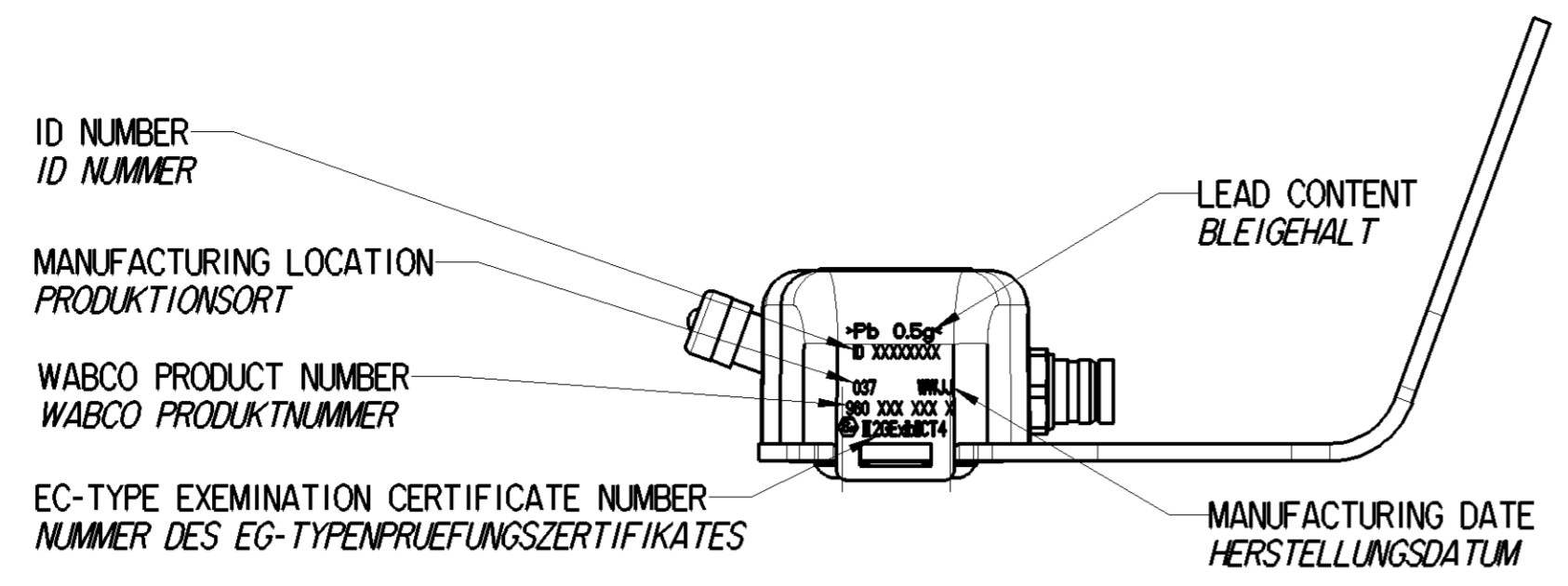
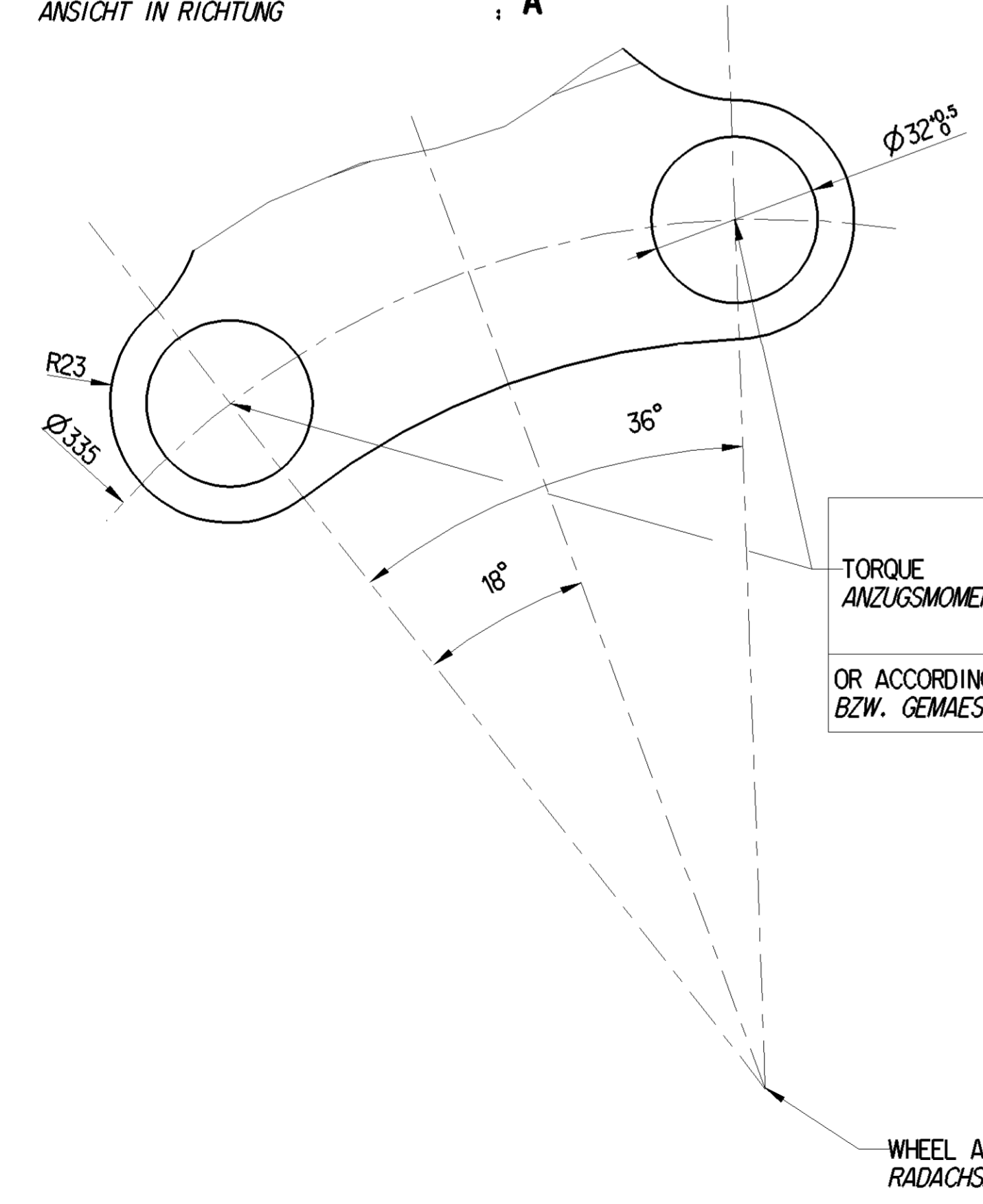


SAFETY CHARACTERISTICS	0
SIGNIFICANT CHARACTERISTICS	2

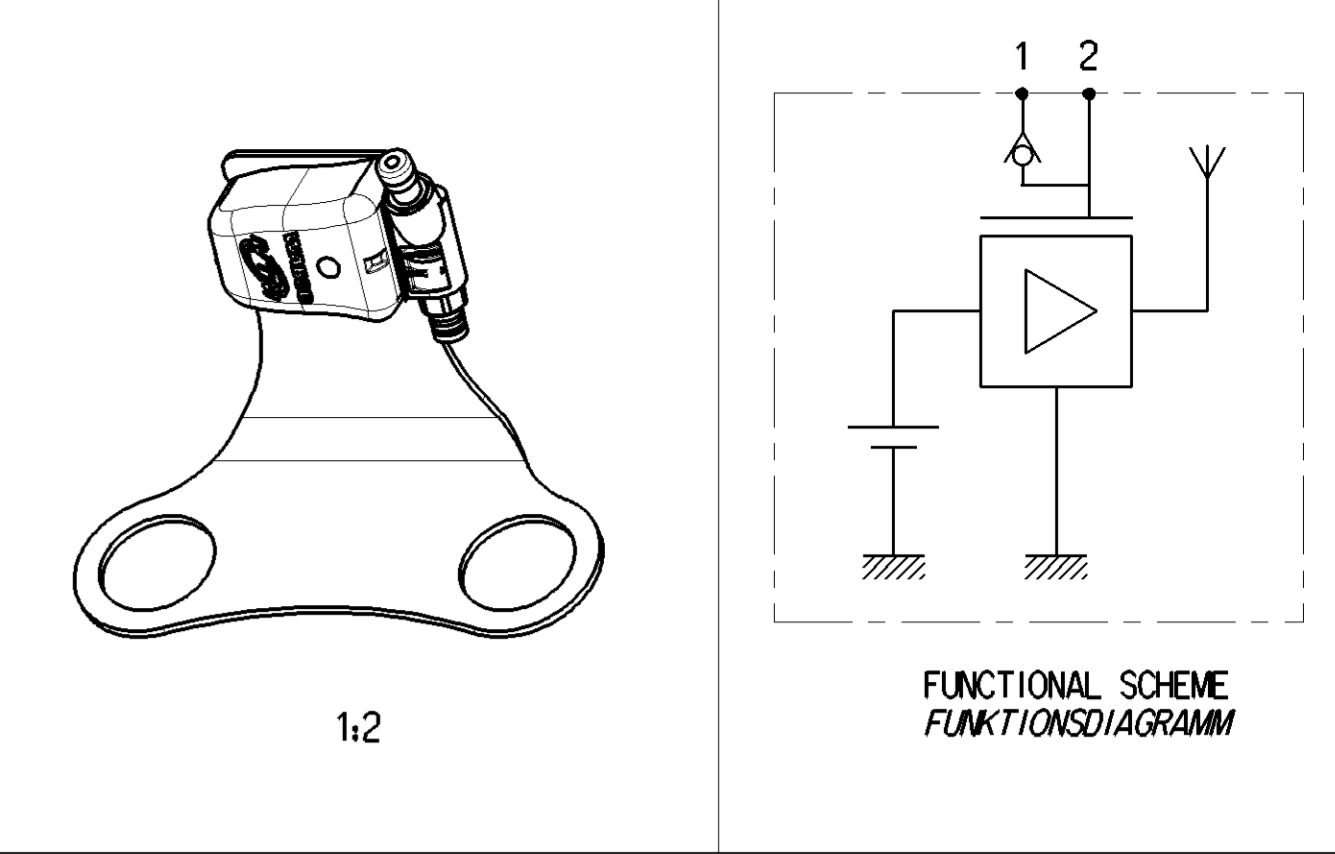
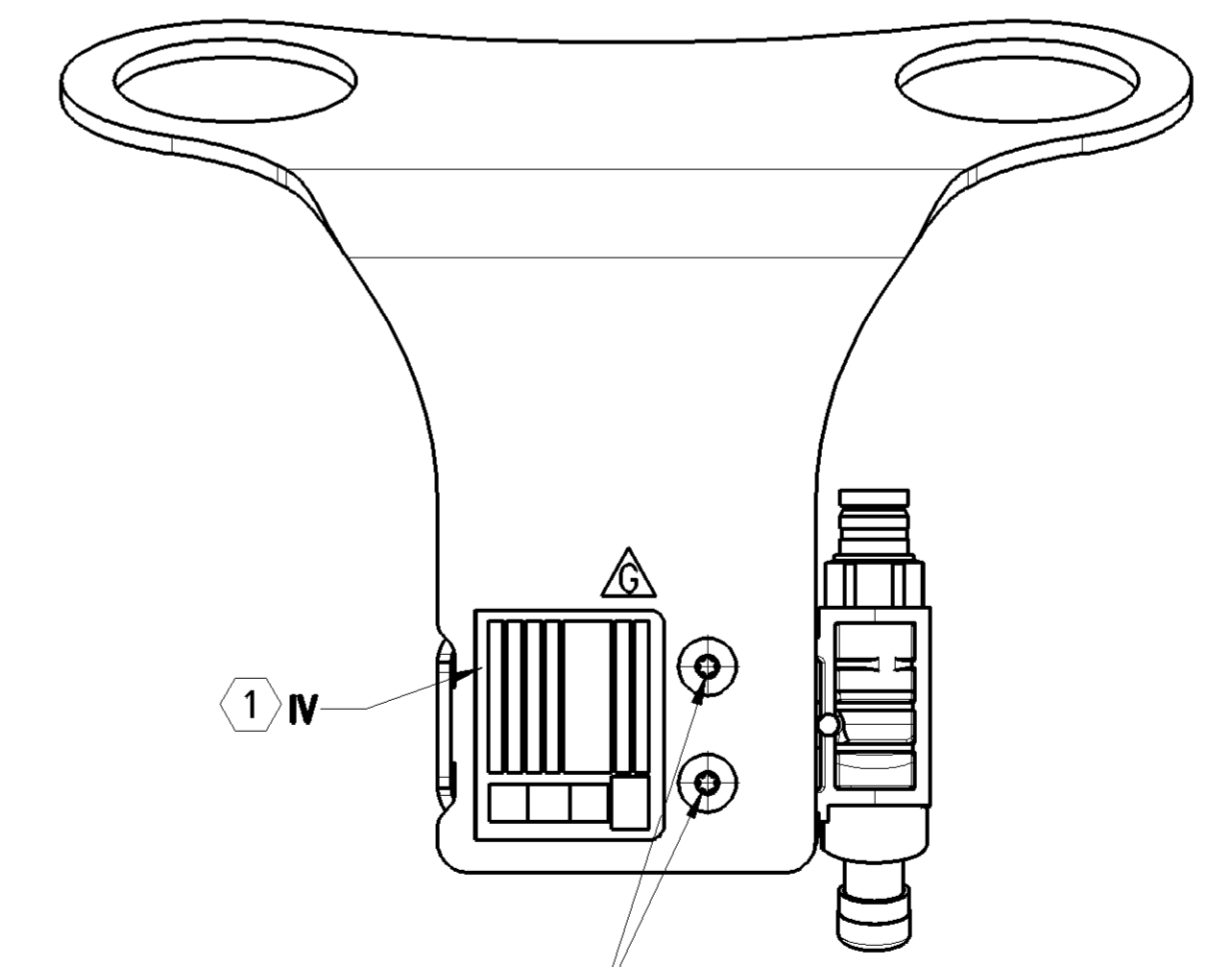
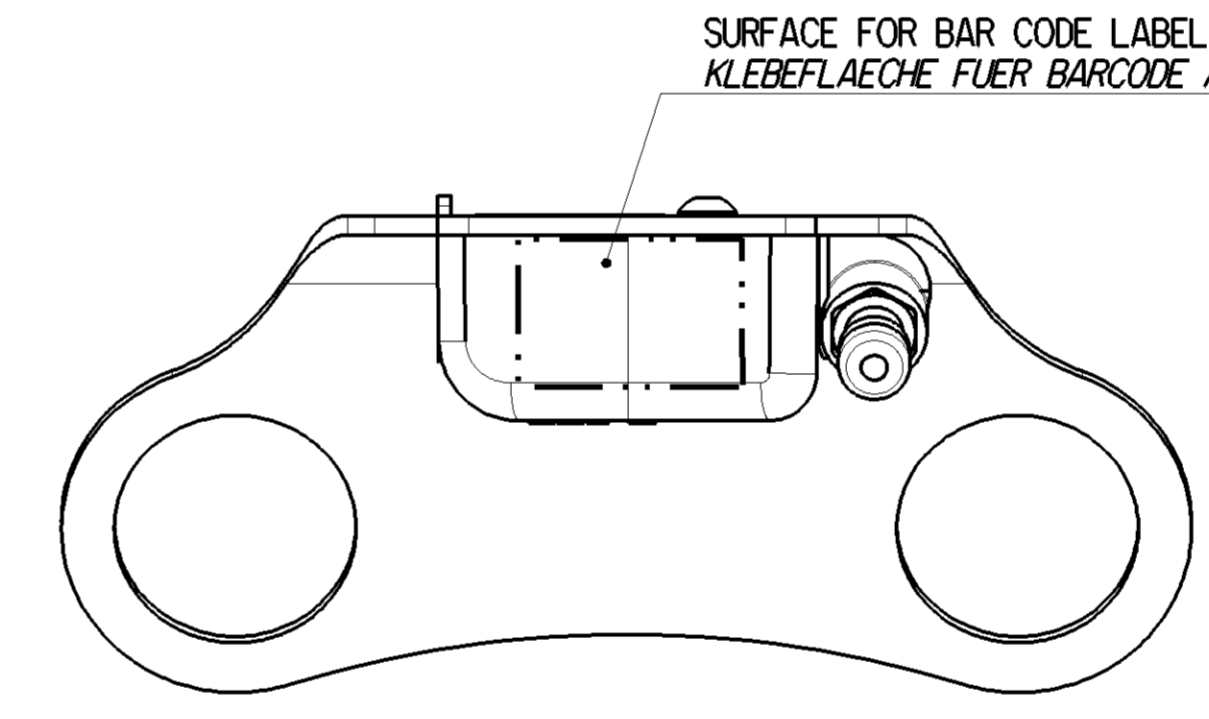
⚠ DANGER ENSURE EXTENSION LOCKING BEFORE INFLATING; ANY UNINTENDED DETACHMENT HAS TO BE PREVENTED
 VOR DRUCKBEAUFSCHLAGUNG GEWAHRLEISTEN, DASS DIE SCHLAUCHVERLAENGERUNG EINGERASTET IST UND SICH NICHT SELBSTTAETIG LOESEN KANN



VIEW LOOKING IN DIRECTION OF ARROW: A
ANSICHT IN RICHTUNG: A



TORQUE ANZUGSMOMENT	FOR STEEL WHEELS: FUER STAHLRAEDER:	450-550 Nm
	FOR ALUMINIUM WHEELS: FUER ALUMINIUMRAEDER:	550-650 Nm
OR ACCORDING TO THE MANUFACTURER'S SPECIFICATIONS BZW. GEMAESS HERSTELLERANGABE		



PRECISION GENAUIGKEIT	Temperature	0...+70°C	-20...0°C	-40...-20°C
	max FSO [%]	1.33	+70...+85°C	+85...+125°C
RF POWER SENDELEISTUNG	-12 dBm			
TRANSMITTER FREQUENCY SENDEFREQUENZ	min 433.82MHz max 434.02MHz			
THERMAL RANGE THERM. ANWENDUNGSBEREICH	-40 °C...+90 °C AND 120 °C - 24h			
MEDIUM: MEDIUM:	AIR LUFT			
EMC NUMBER: EMC NUMBER:	E1 10R-058164			
MEASURING RANGE: DRUCK MESS BEREICH:	200 < P < 1400 kPa RELATIVE TO ATMOSPHERIC PRESSURE= 100kPa RELATIV ZUM ATMOSPHAERENDRUCK= 100kPa			
DEGREE OF PROTECTION WITH EXTENSION SCHUTZART MIT VERLAENGERUNG	IP6K6K IP6K7 IP6K9K			
FOR FURTHER TECHNICAL DATA SEE PRODUCT SPECIFICATION WEITERE TECHNISCHE DATEN SIEHE PRODUKT SPEZIFIKATION	960 731 990 0			
CONTAINS LITHIUM BATTERY ENTHAELT LITHIUM BATTERIE	Li CONTENT: 0,15g LITHIUM ANTEIL 0,15g			
	MATERIAL WERKSTOFF	SURFACE PROTECTION OBERFLAECHENSCHUTZ		
I JED-352-9	-			
II Fe JED-589-1	Zn/C JED-739-3 COLOUR SHADE: SILVER FARBTON : SILBER			
III STEEL STAHL	ZINC COATING ACCORDING TO JED-256-4 VERZINKUNG NACH JED-256-4			
IV SELF-ADHESIVE FOIL/ SELBSTKLEBENDE FOLIE/ POLYESTER	-			
1 LABEL, CONTENTS SEE DOCUMENT "LABELING INFORMATION"	960 731 041 0 (DOC. CODE 922)			
2 PUSH-TO-CONNECT WITH PA-TUBE 6 X 1,5; PA12PHLY ONLY PUSH-TO-CONNECT NUR MIT PA-TUBE 6 X 1,5; PA12PHLY				

General Specification: ISO 8015, JED-334-1, Size ISO 14405 LP		Copyright WABCO®	
Further Technical Data:		Date	Signature
Doc. Code	Sheet To	2023-01-30	Markuszewski
General Tolerances JED-261		2023-02-20 Cornelius	
Range of nominal dimensions in mm			
Class	1) ≤ 50	> 50 > 180	> 180 > 400
Fine	±0.5	±1 ±1.5	±2
Medium	±1	±2 ±3	±4
Coarse	±2	±3.5 ±5	±6.5
Tapped Holes acc. JED-152		1) Tolerance Class Applied Crossmarked	
Mass	0.290 kg	Scale	1:1
Size	A 1	CAD System	CREO
Material No.		Date of first issue	2007-11-16
960 731 041 0		Doc.Code	005 DE 1/1
EDC-No.	Revision	Techn. Resp.	
51515	2x 6	6033	

Tutti i diritti sono riservati. È vietata espressamente la ristampa o l'uso non autorizzato senza permesso scritto dalla WABCO. È vietata espressamente la ristampa o l'uso non autorizzato senza permesso scritto dalla WABCO. È vietata espressamente la ristampa o l'uso non autorizzato senza permesso scritto dalla WABCO. È vietata espressamente la ristampa o l'uso non autorizzato senza permesso scritto dalla WABCO.