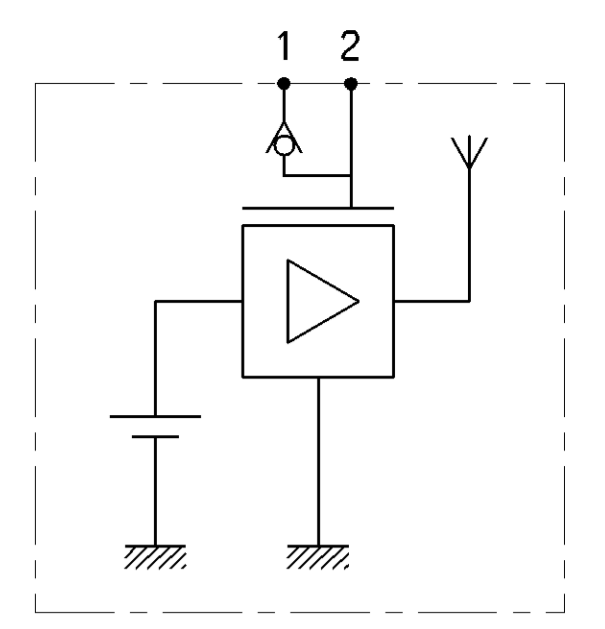
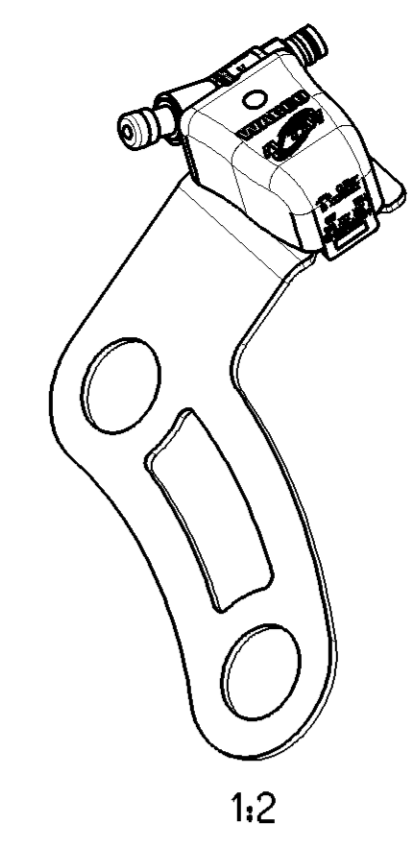
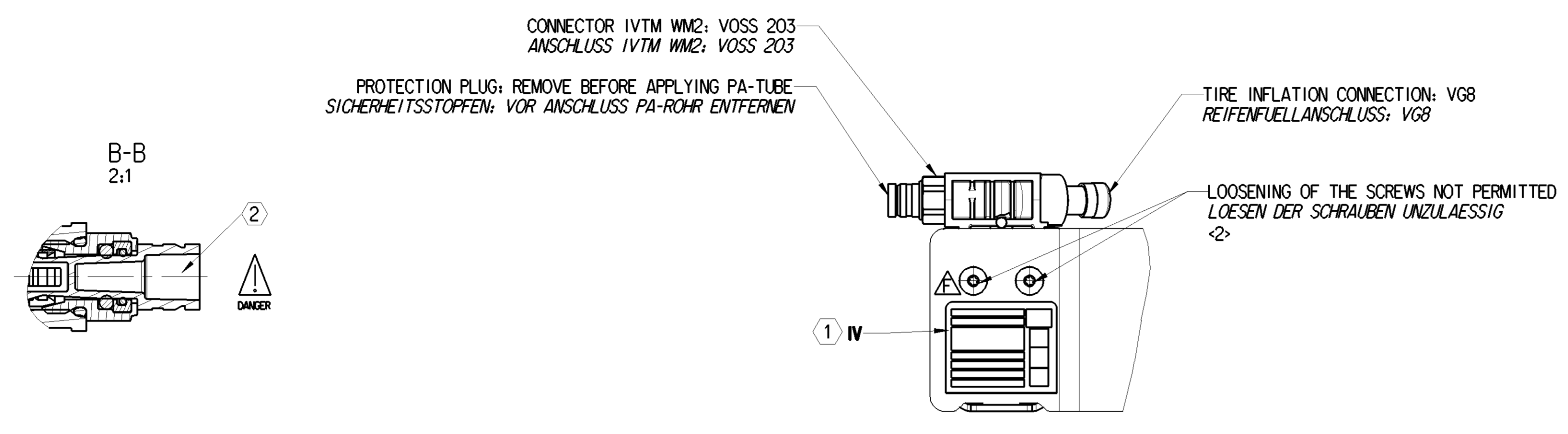


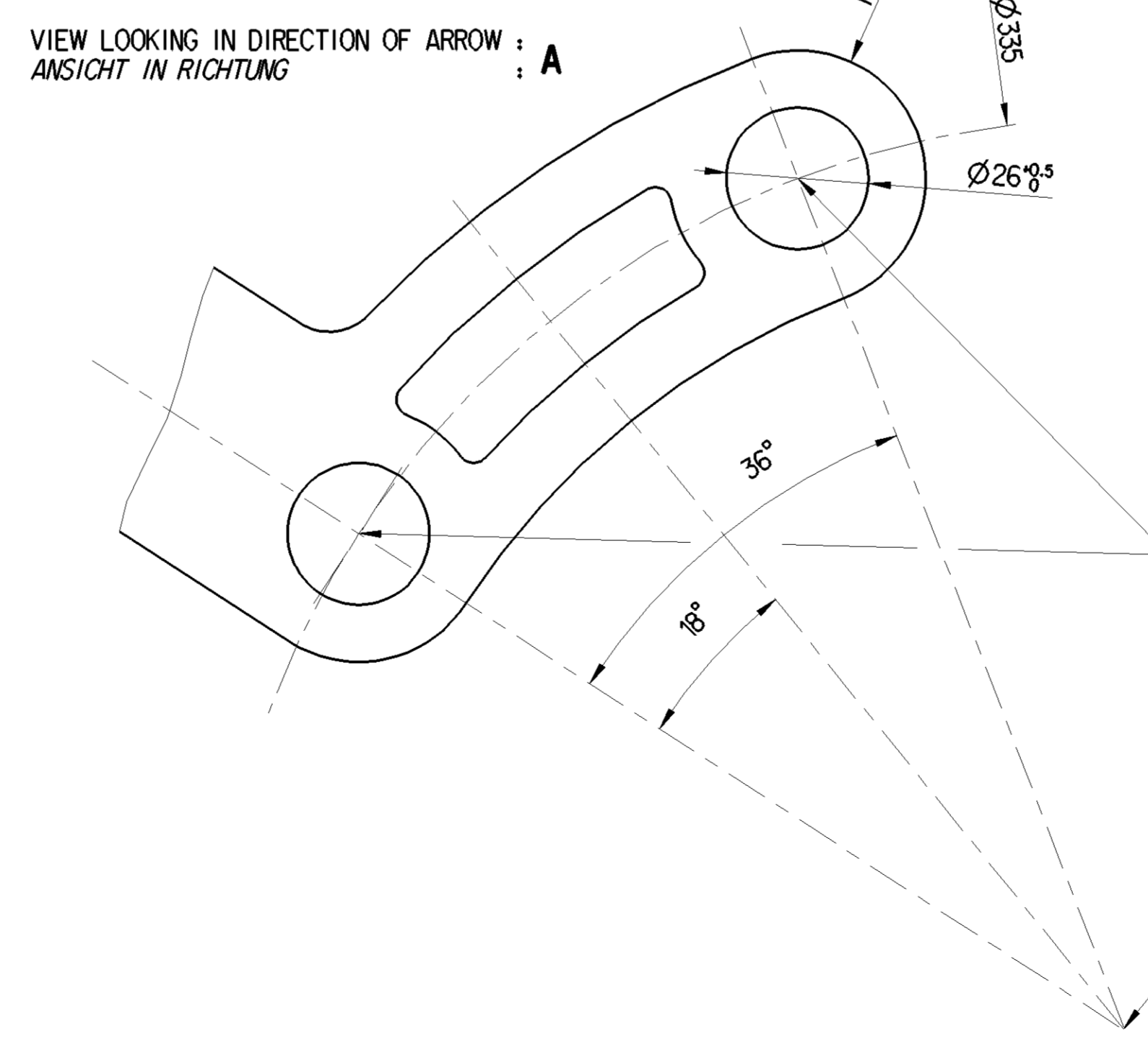
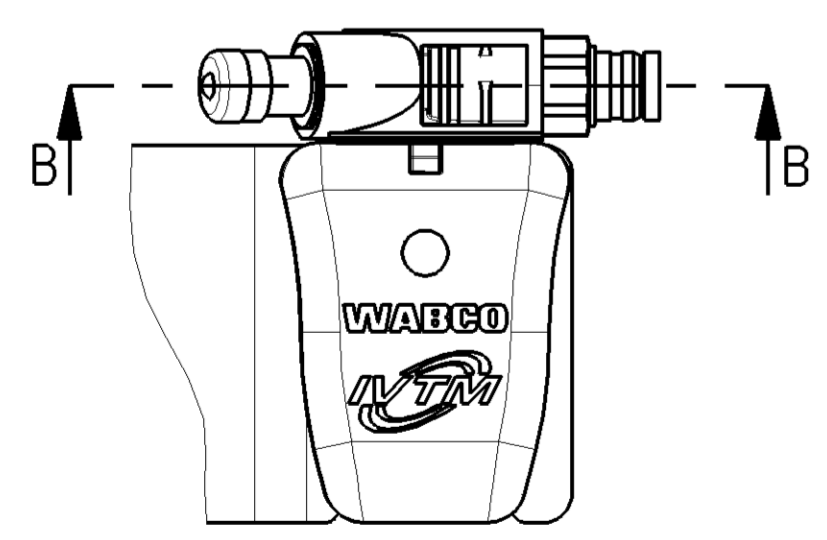
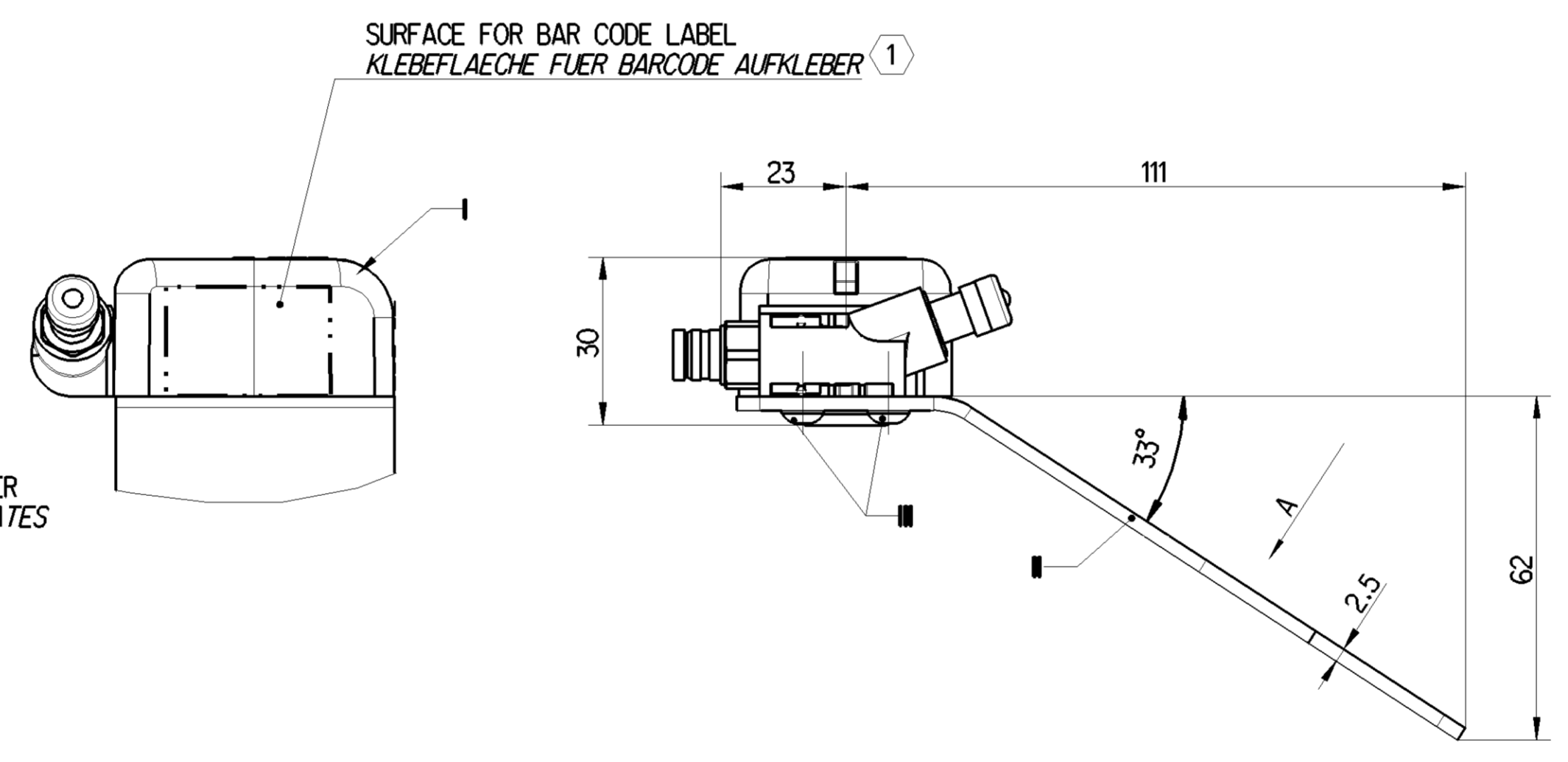
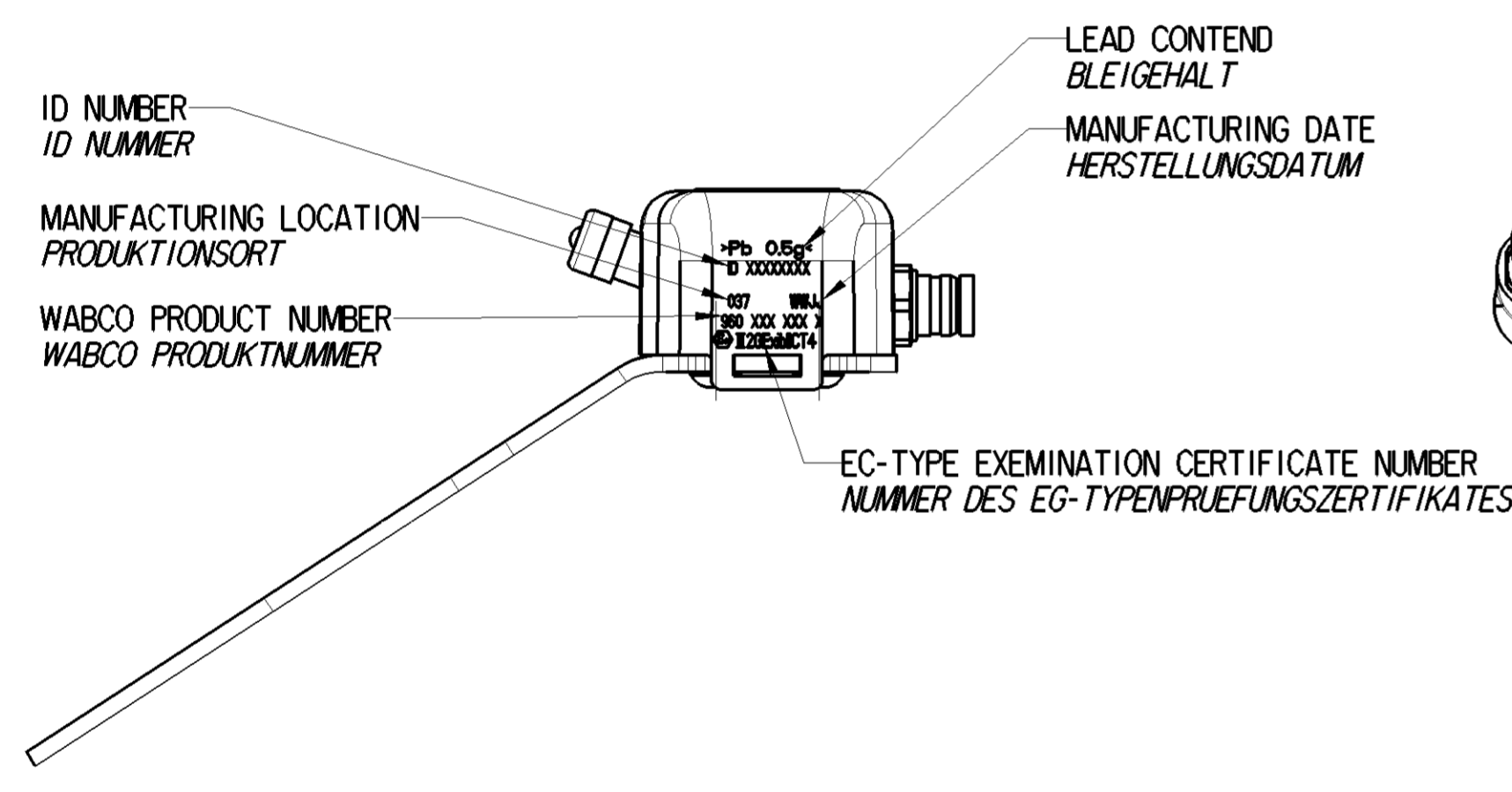
SAFETY CHARACTERISTICS	0
SIGNIFICANT CHARACTERISTICS	2

**!** ENSURE EXTENSION LOCKING BEFORE INFLATING; ANY UNINTENDED DETACHMENT HAS TO BE PREVENTED  
 VOR DRUCKBEAUFSCHLAGUNG GEWAHRLEISTEN, DASS DIE SCHLAUCHVERLAENGERUNG EINGERASTET IST UND SICH NICHT SELBSTTÄETIG LOESEN KANN



PRECISION GENAUIGKEIT	Temperature	0...+70°C	-20...0°C	-40...-20°C
	max FSO [%]	1.33	+70...+85°C	+85...+125°C
			2	3.2

RF POWER SENDELEISTUNG	-12 dBm
TRANSMITTER FREQUENCY SENDEFREQUENZ	min 433.82MHz max 434.02MHz
THERMAL RANGE THERM. ANWENDUNGSBEREICH	-40 °C...+90 °C AND 120 °C - 24h
MEDIUM: MEDIUM:	AIR LUFT
EMC NUMBER: EMC NUMBER:	<b>E1</b> 10R-058164
MEASURING RANGE: DRUCK MESS BEREICH:	RELATIVE TO ATMOSPHERIC PRESSURE= 100kPa RELATIV ZUM ATMOSPHAERENDRUCK= 100kPa
DEGREE OF PROTECTION WITH EXTENSION SCHUTZART MIT VERLAENGERUNG	IP6K6K IP6K7 IP6K9K
FOR FURTHER TECHNICAL DATA SEE PRODUCT SPECIFICATION WEITERE TECHNISCHE DATEN SIEHE PRODUKT SPEZIFIKATION	960 731 990 0



TORQUE ANZUGSMOMENT	FOR STEEL WHEELS: FUER STAHLRAEDER:	450-550 Nm
	FOR ALUMINIUM WHEELS: FUER ALUMINIUMRAEDER:	550-650 Nm
OR ACCORDING TO THE MANUFACTURER'S SPECIFICATIONS BZW. GEMAESS HERSTELLERANGABE		

CONTAINS LITHIUM BATTERY ENTHAELT LITHIUM BATTERIE	Li CONTENT: 0,15g LITHIUM ANTEIL 0,15g
MATERIAL WERKSTOFF	SURFACE PROTECTION OBERFLAECHE NSCHUTZ
JED-352-9	-
Fe JED-589-1	Zn/C JED-739-3
STEEL STAHL	COLOUR SHADE: SILVER FARBTON : SILBER
SELF-ADHESIVE FOIL/ SELBSTKLEBENDE FOLIE/ POLYESTER	ZINC COATING ACCORDING TO JED-256-4 VERZINKUNG NACH JED-256-4

1 LABEL, CONTENTS SEE DOCUMENT "LABELING INFORMATION"	960 731 063 0 (DOC. CODE 922)
2 PUSH-TO-CONNECT WITH PA-TUBE 6 X 1,5; PA12PHLY ONLY PUSH-TO-CONNECT NUR MIT PA-TUBE 6 X 1,5; PA12PHLY	

General Specification: ISO 9015, JED-334-1, Size ISO 14405 LP

Copyright WABCO®

Doc. Code: 2023-01-30 | Sheets: 1 | To: 1 | Date: 2023-01-30 | Drawn: Markuszewski | Signature: [ ]

Range of nominal dimensions in mm

Class	1)	≤ 50	> 50 &lt; 180	> 180 &lt; 400	> 400
Fine		±0.5	±1	±1.5	±2
Medium	x	±1	±2	±3	±4
Coarse		±2	±3.5	±5	±6.5

Dimensions in mm

Mass	Scale	Material No.	Date of first issue:
0.230 kg	1:1	960 731 063 0	2009-10-21
Size	CAD System	Doc.Code	Language
A 1	CREO	005	DE

EDC-No.: 51515 | Revision: 2x | Techn. Resp.: F 6033 | Replacement for: [ ]

Non è permesso copiare o riprodurre questo documento, né utilizzare il contenuto a fini di lucro o per scopi non autorizzati. È vietata espressamente la ristampa o l'uso non autorizzato di questo documento. Toute réimpression ou utilisation non autorisée sans la permission écrite de la WABCO est formellement interdite. Toute utilisation non autorisée sera considérée comme une violation des lois en vigueur. All rights reserved. No part of this document may be reproduced, stored in a retrieval system, or transmitted, in any form or by any means, electronic, mechanical, photocopying, recording, or by any information storage and retrieval system, without the prior written permission of WABCO.