

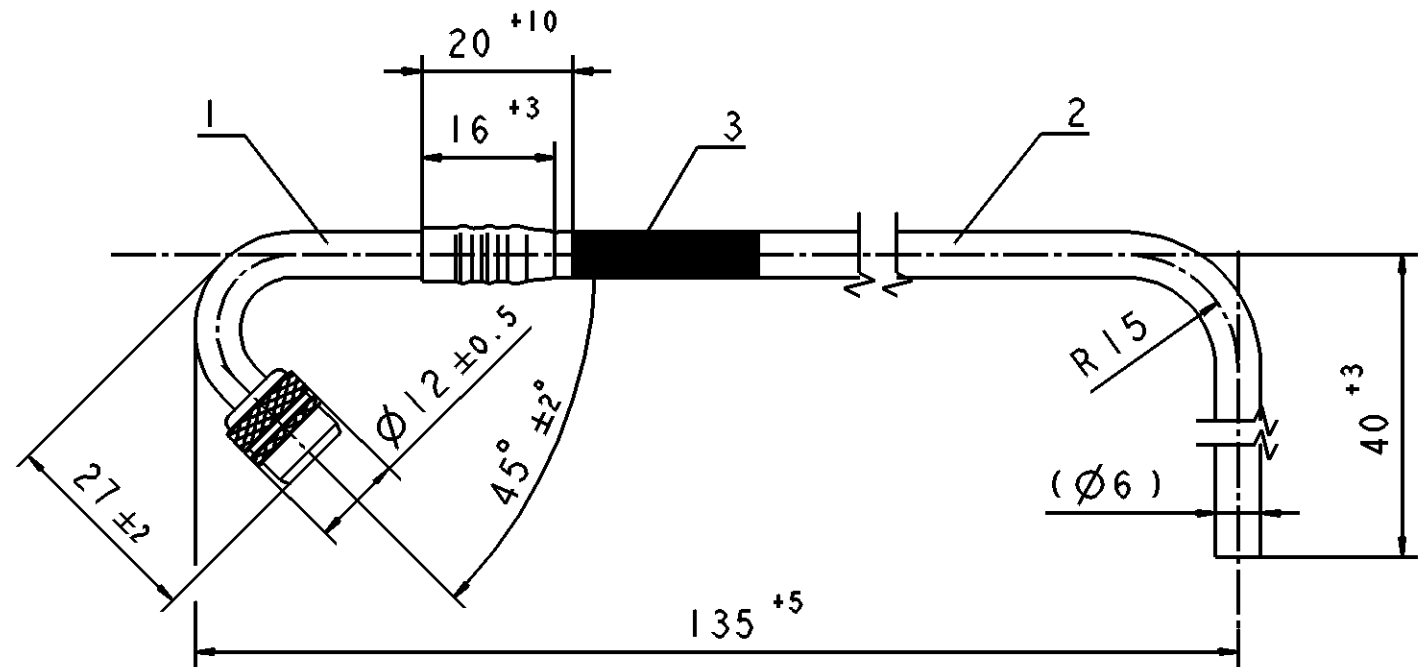
Non e permesso consegnare a terzi o riprodurre questo documento, ne utilizzare il contenuto o renderlo comunque noto a terzi senza autorizzazione esplicita. Ogni infrazione costituira un evidente abuso e comportera il risarcimento dei danni subiti. E' fatta riserva di tutti i diritti derivanti da brevetti o modelli.

Toute communication ou reproduction de ce document, toute exploitation ou communication de son contenu sont interdites, sauf autorisation expresse. Tout manquement a cette regle constitue un abus evident et expose son auteur au versement de dommages et interets. Tous droits de proprieete industrielle reserves, notamment en matiere de brevets et de modesles.

Copying of this document and giving it to others and the use or communication of the contents thereof, are forbidden without express authority. Contravention of this restriction will constitute an evident abuse and result in a liability to the payment of damages. All rights are reserved in the event of the grant of patent or registration of a utility model or design. This document is the subject of copyright.

Weitergabe sowie Vervielfaeltigung dieser Unterlage, Verwertung und Mitteilung ihres Inhalts nicht gestattet, soweit nicht ausdruendlich zugestanden. Zuwiderhandlungen stellen einen offensichtlichen Missbrauch dar und verpflichten zu Schadensersatz. Alle Rechte fuer den Fall der Patenterteilung oder Gebrauchsmuster-Eintragung vorbehalten.

1 2 3 4 5 6 7 8



PERMISSIBLE WORKING PRESSURE: 0 ... 14 bar
 ZULAESSIGER BETRIEBSDRUCK:
 THERMAL RANGE OF APPLICATION: -40°C ... +120°C
 THERMISCHER ANWENDUNGSBEREICH:

BILL OF MATERIAL

| REF. NO. | QTY. | ITEMNAME | MARKINGS |
|----------|------|------------------------------------|-----------------------|
| 1 | 1 | ROTATABLE VALVE CONNECTOR VG8 135° | CuZn39Pb3 / EPDM |
| 2 | 1 | PA-TUBE 6x1.5 | PAI2PHLY DIN 73378 |
| 3 | 1 | LABEL | FOR PRINTING DETAIL A |

A
 960 731 803 0
 KW/JJ

DATE OF MANUFACTURING
 Herstellungsdatum

Tabelle Einzelteile

| Nr. | Stk. | Benennung | Bemerkung |
|-----|------|------------------------------------|-------------------------------|
| 1 | 1 | Drehbarer Ventilanschluss VG8 135° | CuZn39Pb3 / EPDM |
| 2 | 1 | PA-Rohr 6x1.5 | PAI2PHLY DIN 73378 |
| 3 | 1 | Etikett | Bedruckung siehe Einzelheit A |

FOR TECHNICAL REQUIREMENTS SEE DOCUMENT: PRODUCT SPECIFICATION 960 731 800 0
 FUER TECHNISCHE ANFORDEUNGEN SIEHE DOKUMENT:

| | | | | | |
|--|-----------------------------------|------------------|------------|---------------------------------|--------------|
| General Specification: JED-334-0 | | Copyright WABCO® | | WABCO | |
| Further Technical Data: | | Date | Signature | | |
| Doc. Code: | Sheet: To | Drawn | | TUBE ROHR | |
| General Tolerances JED-261 | | 2012-03-01 | Drozdzyk | | |
| Range of Nominal Dimensions (± mm) | | Checked | | | |
| Class 1) | ≤ 50 > 50 > 180 > 180 > 400 > 400 | 2012-03-12 | Cornelius | Expert | |
| Fine | 0.5 1.0 1.5 2.0 | Drozdzyk | | Material No. | |
| Medium | X 1.0 2.0 3.0 4.0 | Mass | Scale | Date of first issue: 2007-07-09 | |
| Coarse | 2.0 3.5 5.0 6.5 | 0.018 KG | 1:1 | 960 731 803 0 | |
| Tapped Holes acc. | | Size | CAD System | Doc.Code | Language |
| 1) Tolerance Class Applied Crossmarked | | A 3 | Pro/E | 005 | DE |
| | | ECN-No. | | Revision | Techn. Resp. |
| | | 157858 | | B | 6033_EM |
| | | Replacement for | | | |

1 2 3 4 5 6 7 8