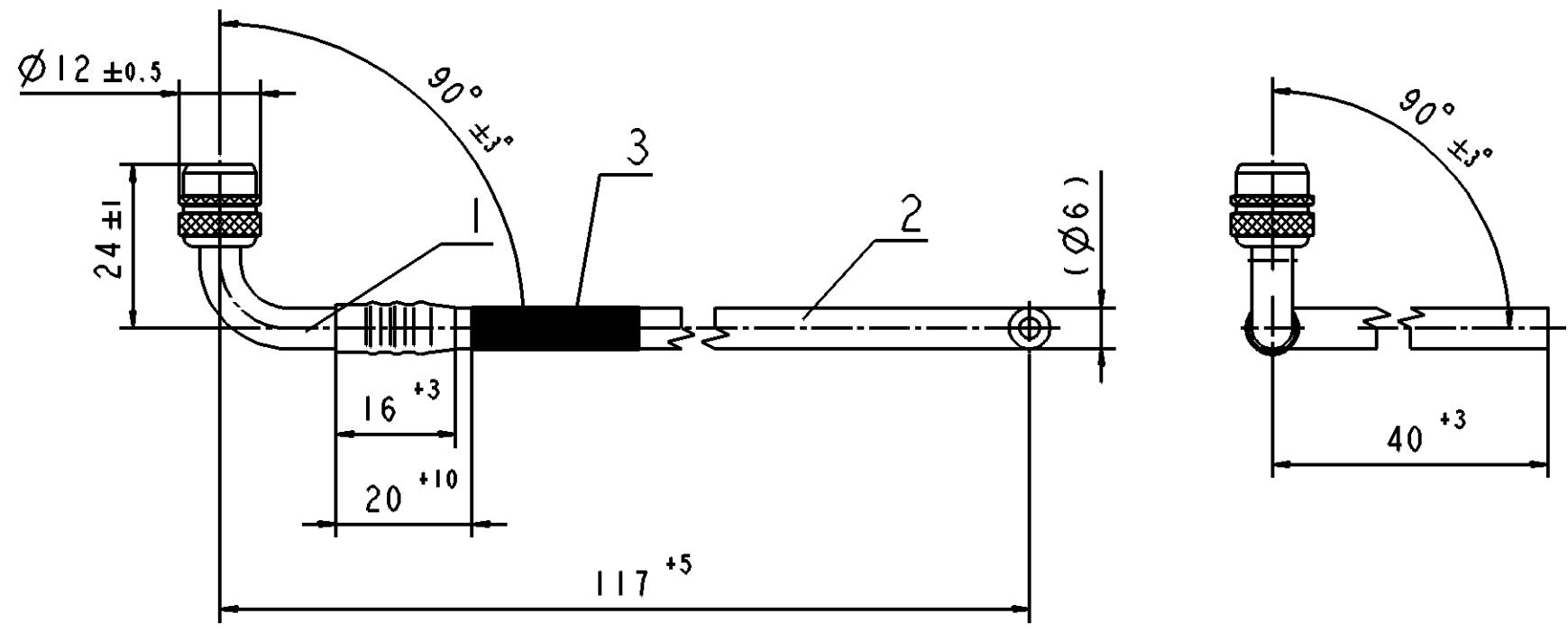


Non e permesso consegnare a terzi o riprodurre questo documento, ne utilizzare il contenuto o renderlo comunque noto a terzi senza autorizzazione esplicita. Ogni infrazione costituisce un evidente abuso e comportera il risarcimento dei danni subiti. E' fatta riserva di tutti i diritti derivanti da brevetti o modelli. Copying of this document and giving it to others and the use or communication of the contents thereof, are forbidden without express authority. Contravention of this restriction will constitute an evident abuse and result in a liability to the payment of damages. All rights are reserved in the event of the grant of patent or registration of a utility model or design. This document is the subject of copyright.

Toute communication ou reproduction de ce document, toute exploitation ou communication de son contenu sont interdites, sauf autorisation expresse. Tout manquement a cette regle constitue un abus evident et expose son auteur au versement de dommages et interets. Tous droits de proprieete industrielle reserves, notamment en matiere de brevets et de modes. Weitergabe sowie Vervielfaerung dieser Unterlagen, Verwertung und Mitteilung ihres Inhalts nicht gestattet, soweit nicht ausdruercklich zugestanden. Zuwiderhandlungen stellen einen offensichtlichen Missbrauch dar und verpflichten zu Schadensersatz. Alle Rechte fuer den Fall der Patenterteilung oder Gebrauchsmuster-Eintragung vorbehalten.

1 2 3 4 5 6 7 8



PERMISSIBLE WORKING PRESSURE: 0 ... 14 bar
 ZULAESSIGER BETRIEBSDRUCK:
 THERMAL RANGE OF APPLICATION: -40°C ... +120°C
 THERMISCHER ANWENDUNGSBEREICH:

BILL OF MATERIAL

REF. NO.	QTY.	ITEMNAME	MARKINGS
1	1	ROTATABLE VALVE CONNECTOR VG8 135°	CuZn39Pb3 / EPDM
2	1	PA-TUBE 6x1.5	PAI2PHLY DIN 73378
3	1	LABEL	FOR PRINTING DETAIL A

A

960 731 808 0
 KW/JJ

DATE OF MANUFACTURING
Herstellungsdatum

Tabelle Einzelteile

Nr.	Stk.	Benennung	Bemerkung
1	1	Drehbarer Ventilanschluss VG8 135°	CuZn39Pb3 / EPDM
2	1	PA-Rohr 6x1.5	PAI2PHLY DIN 73378
3	1	Etikett	Bedruckung siehe Einzelheit A

FOR TECHNICAL REQUIREMENTS SEE DOCUMENT: PRODUCT SPECIFICATION 960 731 800 0
 FUER TECHNISCHE ANFORDEUNGEN SIEHE DOKUMENT:

General Specification: JED-334-0		Copyright WABCO®		WABCO		
Further Technical Data:		Date	Signature			
Doc. Code:	Sheet:	To	Drawn	TUBE ROHR		
General Tolerances JED-261			2012-03-01			
Range of Nominal Dimensions (± mm)			Checked	Date of first issue: 2007-10-10		
Class 1)	≤ 50	> 50 ≤ 180	2012-03-12			
	> 180 ≤ 400	> 400	Expert	Doc.Code Language Sheet		
			Drozdzyk			
Fine	X	0.5	1.0	1.5	2.0	Material No. 960 731 808 0
Medium		1.0	2.0	3.0	4.0	
Coarse		2.0	3.5	5.0	6.5	Date of first issue: 2007-10-10
Tapped Holes acc.			Mass	Scale	Date of first issue: 2007-10-10	
1) Tolerance Class Applied Crossmarked			0.015 KG	1:1	Doc.Code Language Sheet	
			Size	CAD System	005 DE 1/1	
			A 3	Pro/E	ECN-No. Revision Techn. Resp. Replacement for	
					157858	B 6033_EM

1 2 3 4 5 6 7 8 100mm