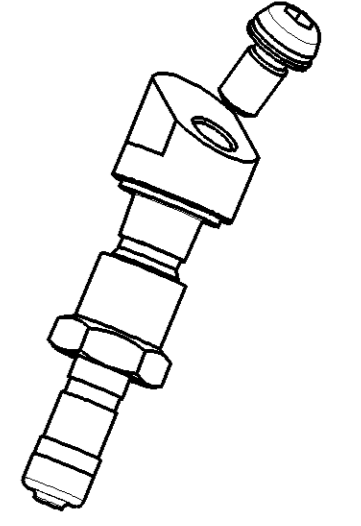
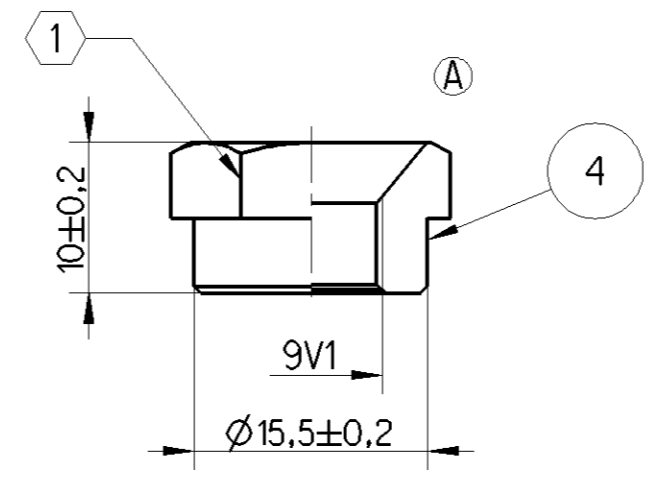
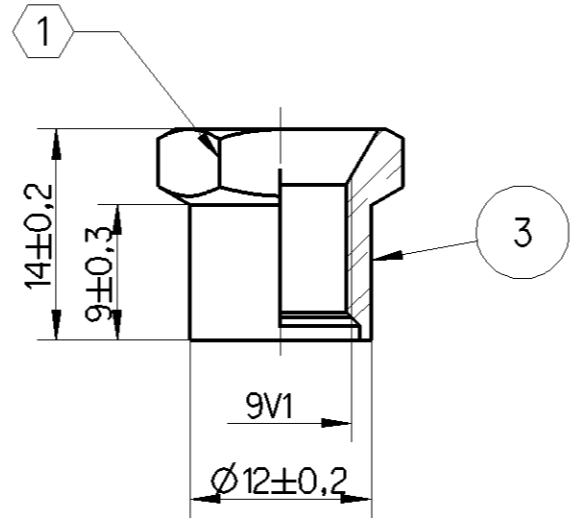
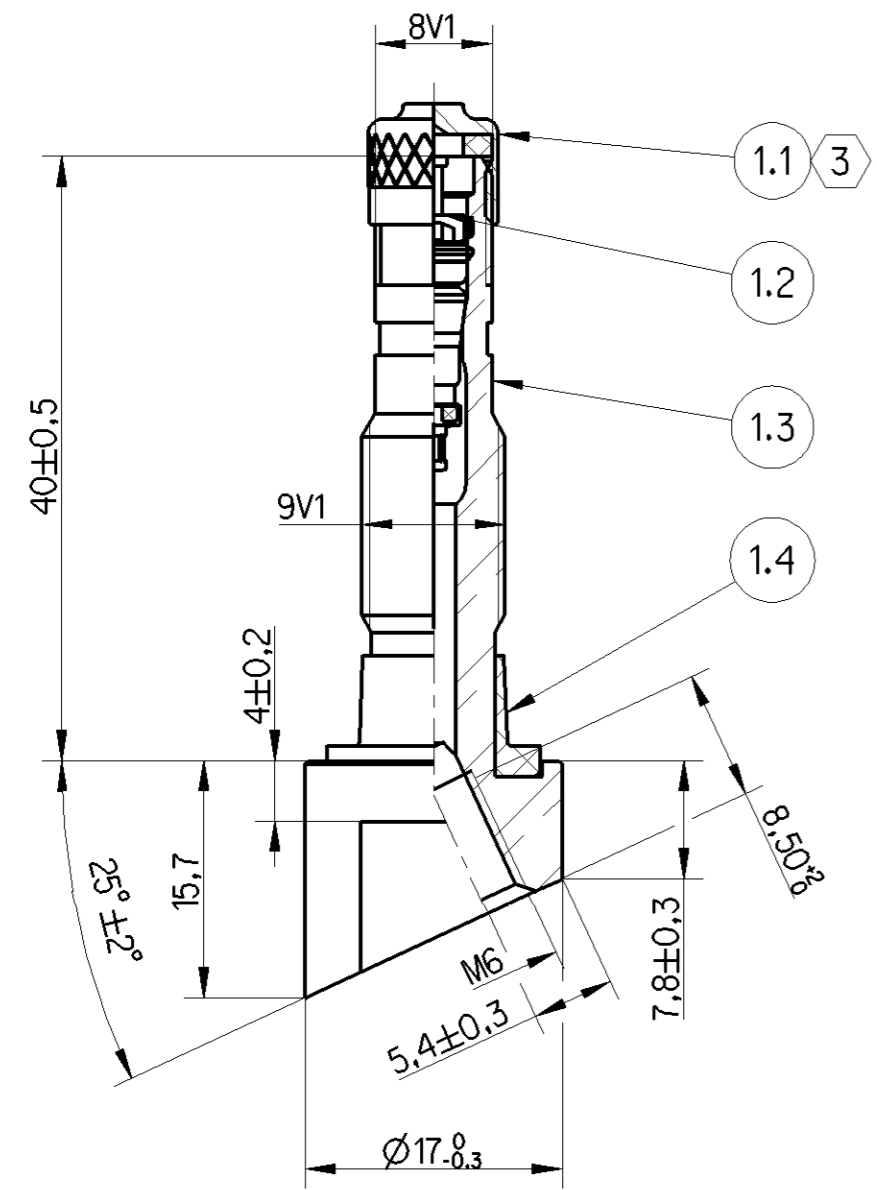
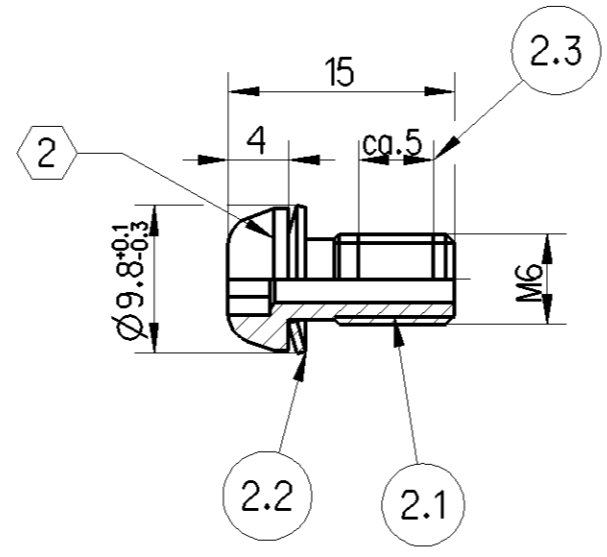
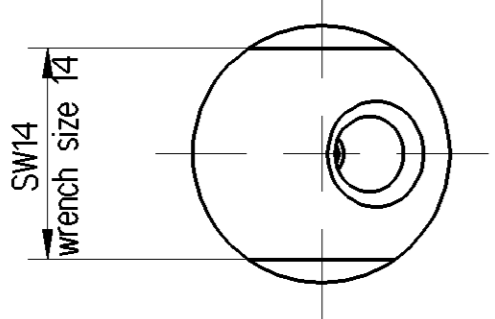


<1> SAFETY CHARACTERISTICS	0
<2> SIGNIFICANT CHARACTERISTICS	0



NOTE		
FOR VALVE HOLE		Ø9,7 <sup>+0.3</sup> mm
FOR RIM THICKNESS		3,0 - 6,0 mm
SUITABLE FOR RIM MATERIAL		STEEL AND ALU
PRESSURE RANGE		<14bar
TEMPERATURE RANGE		-40... +100°C
TIGHTNESS IN RESPECT TO	ETRT0 TV3/TV4 (24h AT -40°C 48h AT 100°C)	<0.2 cm <sup>3</sup> /min
1 HEXAGON NUT	INSTALLATION TORQUE	9 - 14 Nm
2 FIXING SCREW	INSTALLATION TORQUE	4 ±0,5 Nm
SCREW SHALL BE APPLIED UNIQUELY		
3 TO PREVENT FROM POLLUTION, DUST, CORROSION OR AIR LEAKAGE SEALING THE VALVE CAP NEEDS TO BE INSTALLED.		
SET LOOSE PACKED IN A BAG, NUT AND SCREW UNMOUNTED		

4	HEXAGON NUT	BRASS	NICKEL PLATED
3	HEXAGON NUT	BRASS	NICKEL PLATED
2.3	THREAD LOCK COATING		MIKROENCAPSULATED
2.2	SAFETY WASHER		
2.1	SCREW	STEEL	ZINK FLAKE BASECOAT
1.4	GROMMET	EPDM	--
1.3	VALVE STEM	BRASS	NICKEL PLATED
1.2	VALVE CORE 20	BRASS / PTFE / VMQ / STAINLESS SPRING STEEL	--
1.1	VALVE CAP	BRASS / EPDM	NICKEL PLATED
POS.	DESIGNATION	MATERIAL	SURFACE PROTECTION

General Specification: JED-334-1, Size ISO 14405 LP		Copyright WABCO®		<b>WABCO</b>	
Further Technical Data:		Date	Signature	VALVE SET TPMS	
Doc. Code	Sheet	To	Drawn	2016-09-23	Markuszewski
General Tolerances JED-261		Checked	2016-09-23	Grundker	
Range of Nominal Dimensions ( ± mm)		Expert		Material No.	
Class	1)	≤ 50	> 50 ≤ 180	> 180 ≤ 400	> 400
Fine		0.5	1.0	1.5	2.0
Medium		1.0	2.0	3.0	4.0
Coarse		2.0	3.5	5.0	6.5
Tapped Holes acc.		Cornelius		Date of first issue: 2016-06-13	
1) Tolerance Class Applied Crossmarked		Mass	Scale	960 732 104 0	
		0.046 kg	2:1 (1:1)	Doc.Code	Language
		A 2	CREO	005	EN
		ECN-No.		Revision	Techn. Resp.
		-		3x	A
		-		6034	Replacement for

Non e permesso copiare, o terzi o riprodurre questo documento, ne utilizzare il contenuto o renderlo comunque noto o terzi senza autorizzazione esplicita. Ogni infrazione costituisce un evidente abuso e comporterà il risarcimento dei danni subiti. E' fatta riserva di tutti i diritti derivanti da brevetti o modelli.

Toute communication ou reproduction de ce document, toute exploitation ou communication de son contenu sont interdites, sauf autorisation expresse. Tout manquement a cette regle constitue un abus evident et expose son auteur au versement de dommages et interests. Tous droits de proprieite industrielle reserves, notamment en matiere de brevets et de modesles.

Coping of this document and giving it to others and the use or communication of the contents thereof, are forbidden without express authority. Contrivention of this restriction will constitute an evident abuse and result in a liability to the payment of damages. All rights are reserved in the event of the grant of patent or registration of a utility model or design. This document is the subject of copyright.

Weitergabe sowie Vervielfältigung dieses Dokuments, Verwertung und Mitteilung des Inhalts ist nicht gestattet, soweit nicht ausdrücklich ansonsten, zuwiderlaufend, ist. Weiterverbreiten, stellen eines, offensichtlichen, Missbrauch dar und verpflichten zu Schadensersatz. Alle Rechte hier den Fall der Patentierung oder Gebrauchsmuster-Eintragung vorbehalten.

dw: 9607321040...005 | version: -1 / state: Approved / mdt: 960732104002