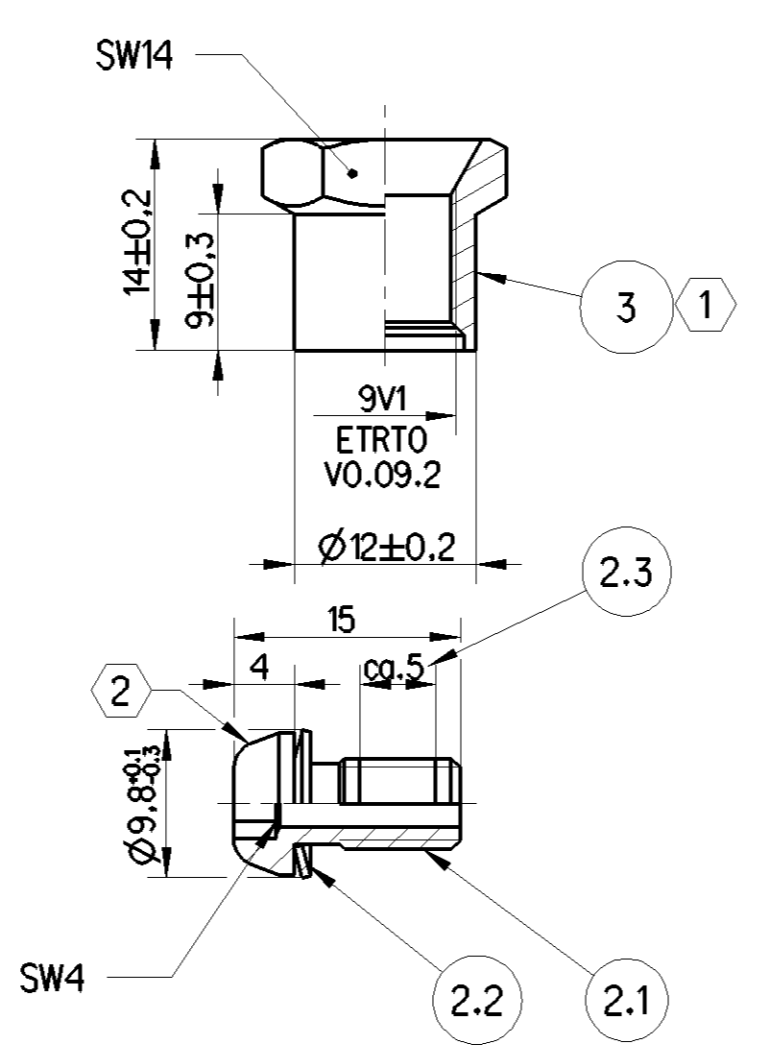
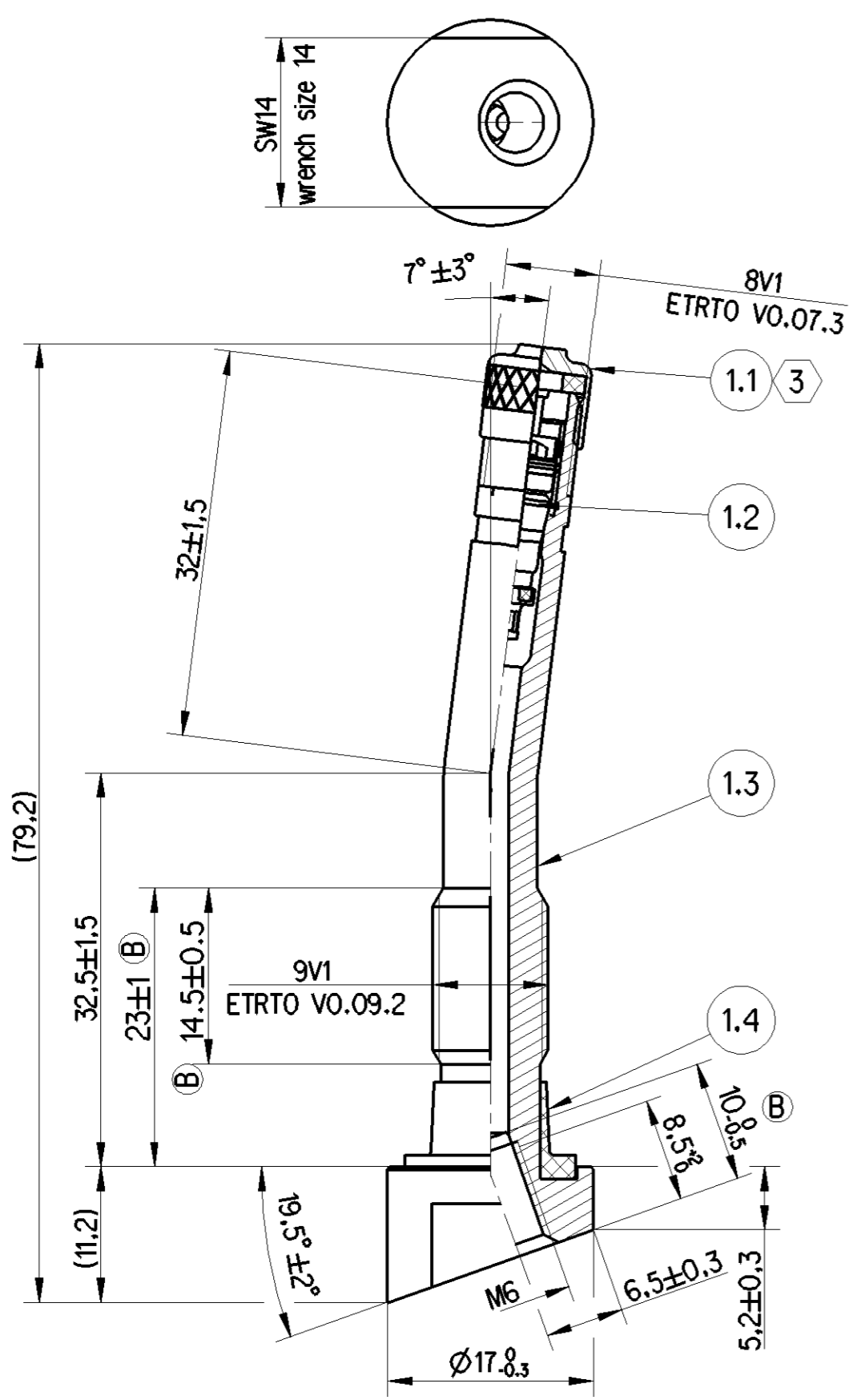
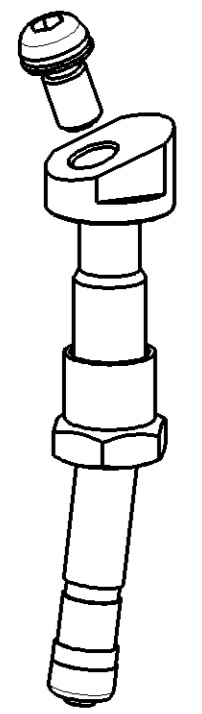


Non e' permesso copiare, o terzi o riprodurre questo documento, ne utilizzare il contenuto o renderlo comunque noto a terzi senza autorizzazione esplicita. Ogni infrazione costituisce un evidente abuso e comportera il risarcimento dei danni subiti. E' fatta riserva di tutti i diritti derivanti da brevetti o modelli.
 Copying of this document and giving it to others and the use or communication of the contents thereof, are forbidden without express authority. Contravention of this restriction will constitute an evident abuse and result in a liability to the payment of damages. All rights are reserved in the event of the grant of patent or registration of a utility model or design. This document is the subject of copyright.
 Toute communication ou reproduction de ce document, toute exploitation ou communication de son contenu sont interdites, sauf autorisation expresse. Tout manquement a cette regle constitue un abus evident et expose son auteur au versement de dommages et interets. Tous droits de propriete industrielle reserves, notamment en matiere de brevets et de modesles.
 Weitergabe sowie Vervielfaltigung dieser Unterlagen, Verwertung und Mitteilung ihres Inhalts nicht gestattet, soweit nicht ausdrücklich ansonsten, wiederholungen stellen eine offensichtliche Missbrauch dar und verpflichten zu Schadensersatz. Alle Rechte hier den Fall der Patentierung oder Gebrauchsmuster-Eintragung vorbehalten.

SAFETY CHARACTERISTICS	0
SIGNIFICANT CHARACTERISTICS	0



NOTE		
FOR VALVE HOLE		∅9,7 ^{+0,3} mm
FOR RIM THICKNESS		3.0 - 6.0 mm
SUITABLE FOR RIM MATERIAL		STEEL AND ALU
PRESSURE RANGE		<14bar
TEMPERATURE RANGE		-40... +100°C
TIGHTNESS IN RESPECT TO	ETRT0 TV3/TV4 (24h AT -40°C 48h AT 100°C)	<0.2 cm ³ /min
1	HEXAGON NUT	INSTALLATION TORQUE 9 - 14 Nm
2	FIXING SCREW	INSTALLATION TORQUE 4 ±0.5 Nm
SCREW SHALL BE APPLIED UNIQUELY		
3 TO PREVENT FROM POLLUTION, DUST, CORROSION OR AIR LEAKAGE SEALING THE VALVE CAP NEEDS TO BE INSTALLED.		
SET LOOSE PACKED IN A BAG, NUT AND SCREW UNMOUNTED		



POS.	DESIGNATION	MATERIAL	SURFACE PROTECTION
3	HEXAGON NUT	BRASS	NICKEL PLATED
2.3	THREAD LOCK COATING		MIKROENCAPSULATED
2.2	SAFETY WASHER	STEEL	ZINK FLAKE BASECOAT
2.1	SCREW	STEEL	ZINK FLAKE BASECOAT
1.4	GROMMET	EPDM	--
1.3	VALVE STEM	BRASS	NICKEL PLATED
1.2	VALVE CORE 20	BRASS / PTFE / VMQ / STAINLESS STEEL	--
1.1	VALVE CAP	BRASS / EPDM	NICKEL PLATED
POS.	DESIGNATION	MATERIAL	SURFACE PROTECTION

General Specification: JED-334-1, Size ISO 14405 LP		Copyright WABCO®		WABCO				
Further Technical Data:		Date	Signature					
Doc. Code	Sheet	To	Drawn	VALVE SET TPMS				
General Tolerances JED-261			2019-11-13			Markuszewski		
Range of Nominal Dimensions (± mm)			2019-12-17	Cornelius	Material No. 960 732 105 0			
Class 1)	≤ 50	> 50 ≤ 180	> 180 ≤ 400	> 400			Checked	
Fine	0.5	1.0	1.5	2.0	Expert	Date of first issue: 2016-10-10		
Medium	X 1.0	2.0	3.0	4.0	Cornelius	Doc. Code	Language	Sheet
Coarse	2.0	3.5	5.0	6.5	±3°	005	EN	1/1
Tapped Holes acc.		Mass	Scale	Material No.		Date of first issue: 2016-10-10		
1) Tolerance Class Applied Crossmarked		0.049 kg	2:1 (1:1)	960 732 105 0		ECN-No. 501035		
		Size	CAD System	Revision 3 x B		Techn. Resp. 6034		
		A 2	CREO	Replacment for				

100mm