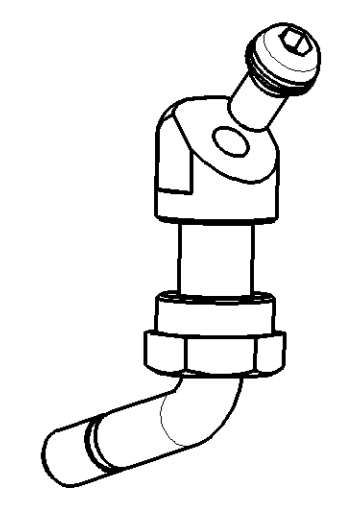
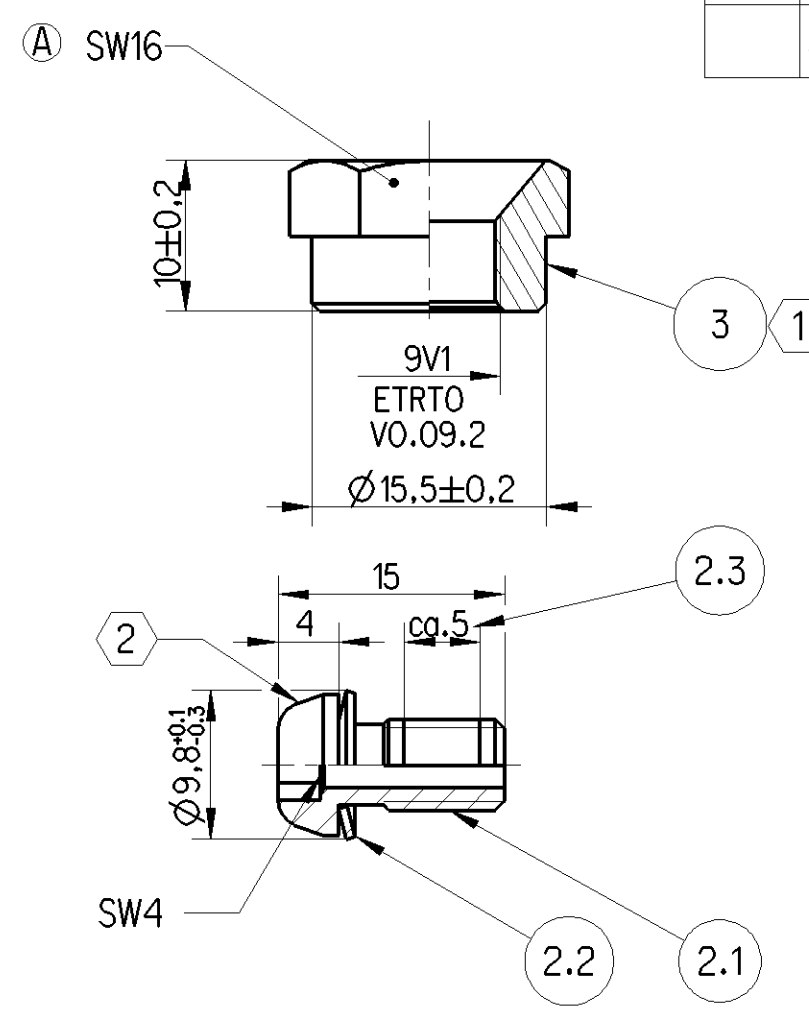
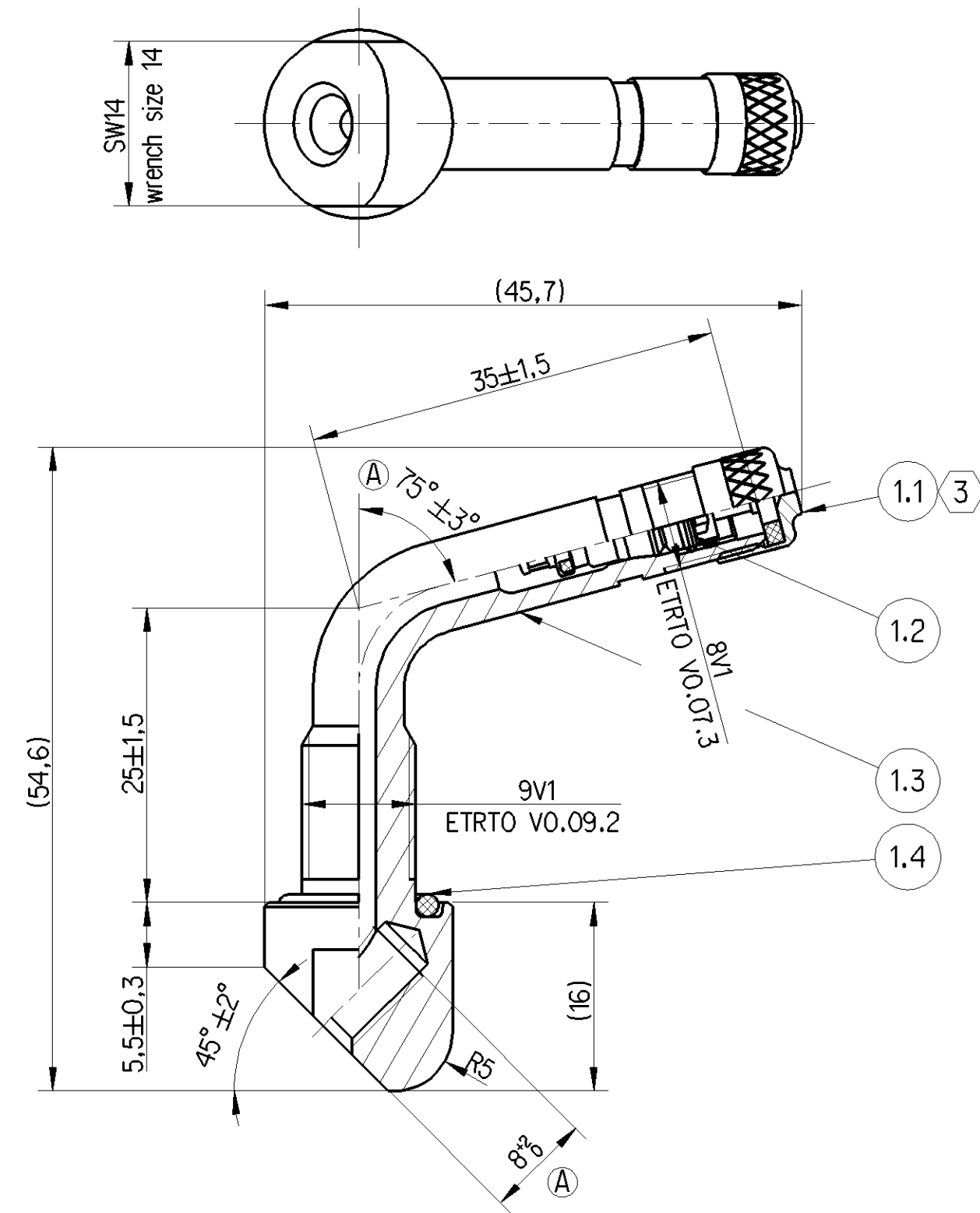


1	SAFETY CHARACTERISTICS	0
2	SIGNIFICANT CHARACTERISTICS	0

NOTE		
FOR VALVE HOLE		$\varnothing 9,7^{+0,3}$ mm
FOR RIM THICKNESS		3.0 - 6.0 mm
SUITABLE FOR RIM MATERIAL		STEEL AND ALU
PRESSURE RANGE		<14bar
TEMPERATURE RANGE		-40... +100°C
TIGHTNESS IN RESPECT TO	ETRT0 TV3/TV4 (24h AT -40°C 48h AT 100°C)	<0.2 cm <sup>3</sup> /min
1	HEXAGON NUT	INSTALLATION TORQUE 9 - 14 Nm
2	FIXING SCREW	INSTALLATION TORQUE 4 ±0,5 Nm
SCREW SHALL BE APPLIED UNIQUELY		
3 TO PREVENT FROM POLLUTION, DUST, CORROSION OR AIR LEAKAGE SEALING THE VALVE CAP NEEDS TO BE INSTALLED.		
SET LOOSE PACKED IN A BAG, NUT AND SCREW UNMOUNTED		



3	HEXAGON NUT	BRASS	NICKEL PLATED
2.3	THREAD LOCK COATING		MIKROENCAPSULATED
2.2	SAFETY WASHER	STEEL	ZINK FLAKE BASECOAT
2.1	SCREW		
1.4	O-RING	VMQ	--
1.3	VALVE STEM	BRASS	NICKEL PLATED
1.2	VALVE CORE 20	BRASS / PTFE / VMQ / STAINLESS STEEL	--
1.1	VALVE CAP	BRASS / EPDM	NICKEL PLATED
POS.	DESIGNATION	MATERIAL	SURFACE PROTECTION

General Specification: JED-334-1, Size ISO 14405 LP		Copyright WABCO®		<b>WABCO</b>	
Further Technical Data:		Date	Signature		
Doc. Code	Sheet	To	Drawn	VALVE SET TPMS	
General Tolerances JED-261			2017-03-14	Markuszewski	
Range of Nominal Dimensions ( ± mm)			2017-05-18	Cornelius	
Class	1)	≤ 50	> 50 ≤ 180	> 180 ≤ 400	> 400
Fine		0,5	1,0	1,5	2,0
Medium	X	1,0	2,0	3,0	4,0
Coarse		2,0	3,5	5,0	6,5
Tapped Holes acc. 1) Tolerance Class Applied Crossmarked					
Mass	Scale	Material No.		Date of first issue: 2016-10-10	
0.054 kg	2:1 (1:1)	960 732 117 0		Doc. Code	Language
Size	CAD System	ECN-No.	Revision	Techn. Resp.	Sheet
A 2	CREO	173396	3x	A	6034
		Replacement for			

Non e' permesso copiare, o terzi o riprodurre questo documento, ne utilizzare il contenuto o renderlo comunque noto o terzi senza autorizzazione esplicita. Ogni infrazione costituisce un evidente abuso e comportera il risarcimento dei danni subiti. E' fatta riserva di tutti i diritti derivanti da brevetti o modelli.

Toute communication ou reproduction de ce document, toute exploitation ou communication de son contenu sont interdites, sauf autorisation expresse. Tout manquement a cette regle constitue un abus evident et expose son auteur au versement de dommages et interets. Tous droits de propriete industrielle reserves, notamment en matiere de brevets et de modesles.

Coping of this document and giving it to others and the use or communication of the contents thereof, are forbidden without express authority. Contravention of this restriction will constitute an evident abuse and result in a liability to the payment of damages. All rights are reserved in the event of the grant of patent or registration of a utility model or design. This document is the subject of copyright.

Weitergabe sowie Vervielfältigung dieses Urteiles, Verwertung und Mitteilung des Inhalts ist nicht gestattet, soweit nicht ausdrücklich ansonsten, Zuerkennung, stellen eines offenschlichen Missbrauch dar und verpflichtet zu Schadensersatz. Alle Rechte fuer den Fall der Patentierung oder Gebrauchsmuster-Eintragung vorbehalten.

dwg: 9607321170...031 Version: / size: / mht: 9607321170...\_A02