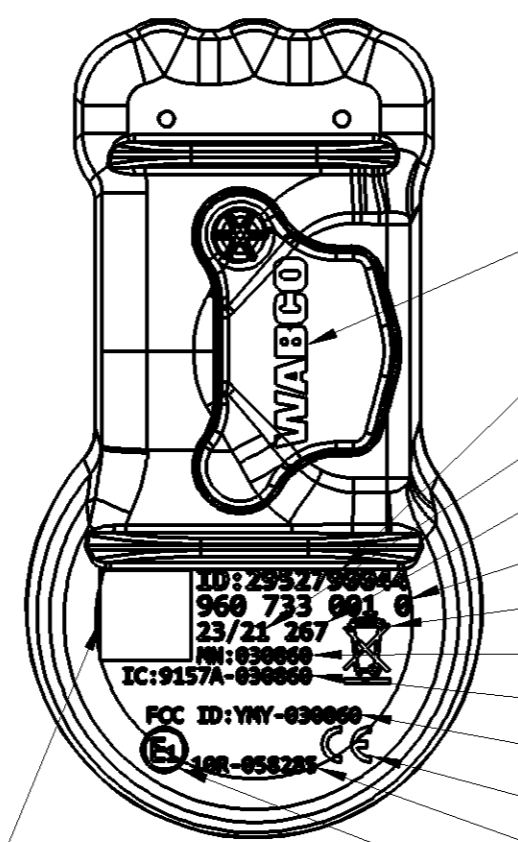
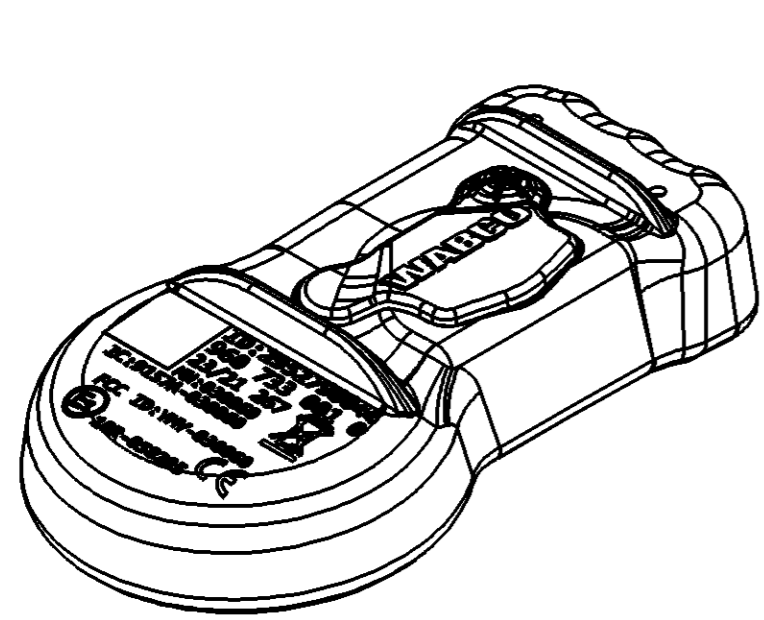
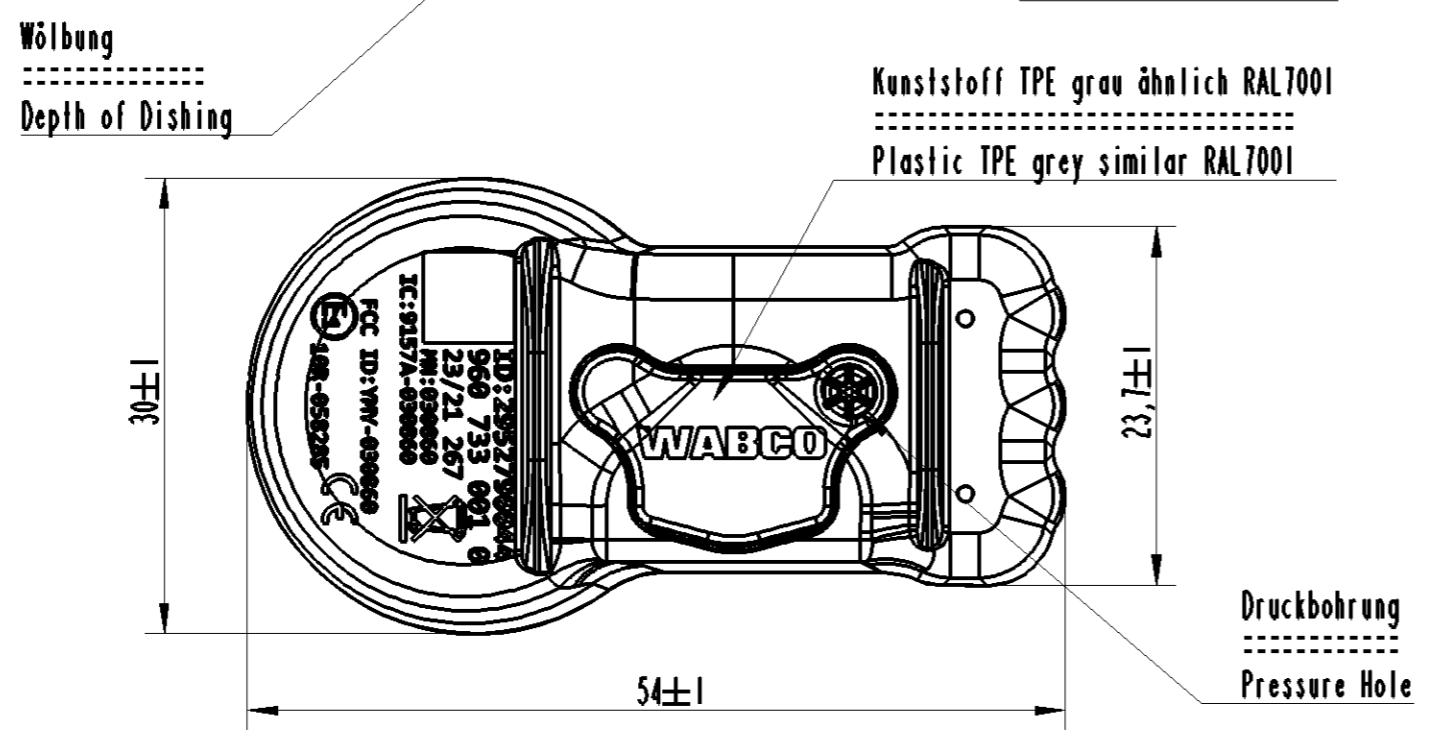
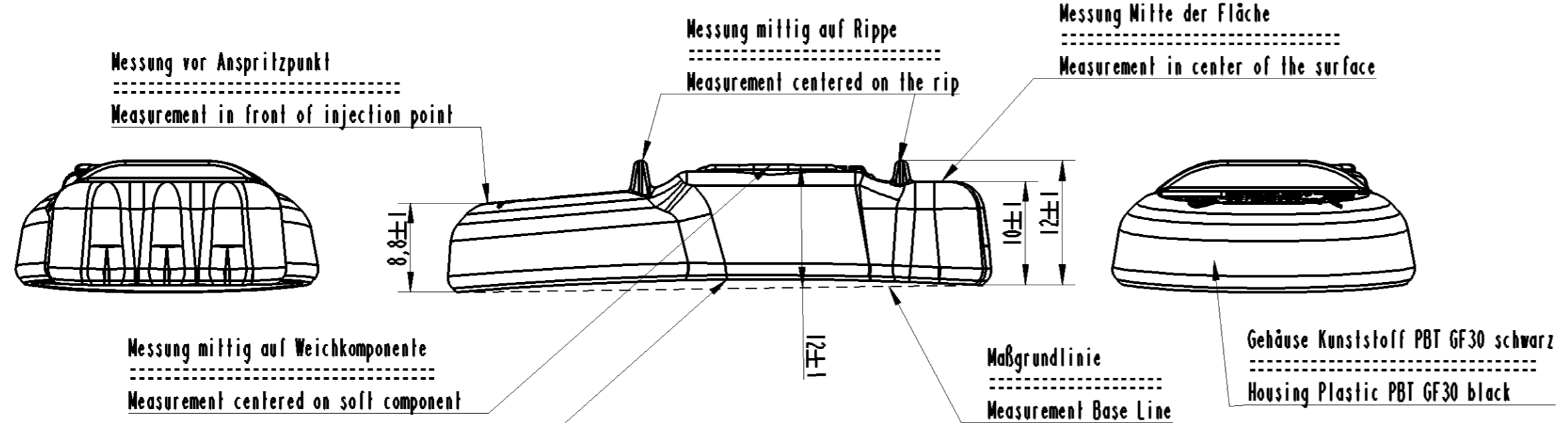
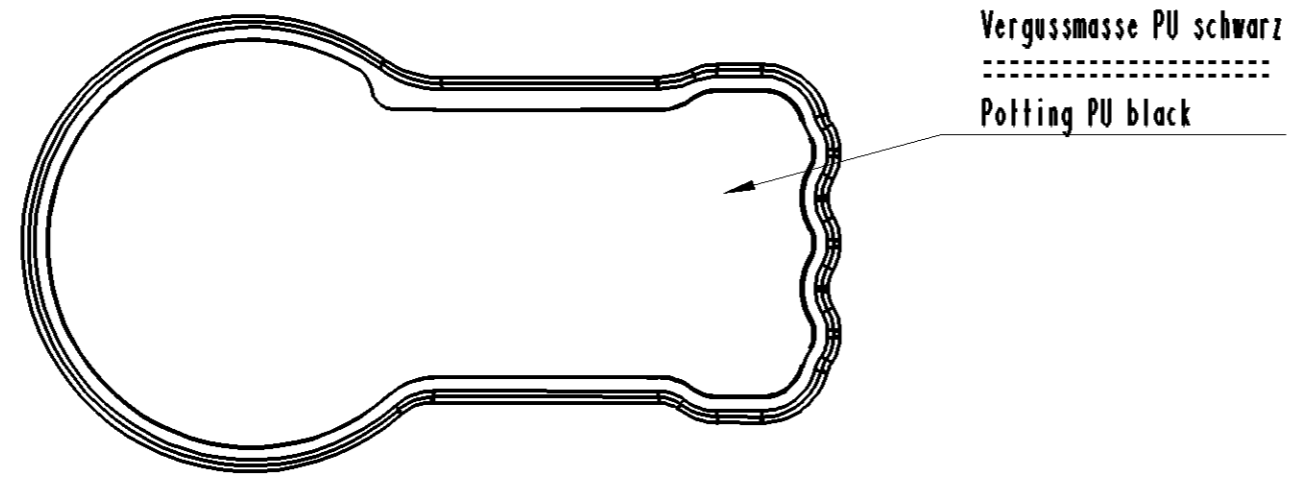


Non e permesso copiare, o terzi o riprodurre questo documento, ne utilizzare il contenuto o renderlo comunque noto o terzi senza autorizzazione esplicita. Ogni infrazione costituisce un evidente abuso e comportera il risarcimento dei danni subiti. E' fatta riserva di tutti i diritti derivanti da brevetti o modelli.
 Copying of this document and giving it to others and the use or communication of the contents thereof, are forbidden without express authority. Contravention of this restriction will constitute an evident abuse and result in a liability to the payment of damages. All rights are reserved in the event of the grant of patent or registration of a utility model or design. This document is the subject of copyright.
 Toute communication ou reproduction de ce document, toute exploitation ou communication de son contenu sont interdites, sauf autorisation expresse. Tout manquement a cette regle constitue un abus evident et expose son auteur au versement de dommages et interets. Tous droits de propriete industrielle reserves, notamment en matiere de brevets et de modesles.
 Weitergabe sowie Vervielfaltigung dieser Unterlagen, Verwertung und Mitteilung ihres Inhalts nicht gestattet, soweit nicht ausdrücklich ansonsten, Zuerkennung der Rechte vorbehalten. Missbrauch der und verfahrenen zu Schadensersatz. Alle Rechte fuer den Fall der Patentierung oder Gebrauchsmuster-Eintragung vorbehalten.



- WABCO Logo
- Seriennummer 10-stellig, dezimal / Serial Number, 10 digits decimal
- Produktionswoche und -Jahr / Production week and year
- PRI Nummer / PRI Number
- WABCO Artikelnummer / WABCO Part Number
- Recycling Symbol
- Kanada Modell Nummer / Canada Model Number
- Kanada Zulassungsnummer / Canada Registration Number
- USA Zulassungsnummer / USA Registration Number
- CE Logo / CE Symbol
- ECE Genehmigungsnummer / ECE Approval Number
- EI Marke / EI Mark

2D Data Matrix Code
"ID:xxxxxxxx,PN:960 733 001 0,PD:yyymmdd."

Montage in Verbindung mit geeigneten Gurten: 960 733 1XX 0 / Siehe Montageanleitung doc. code 092
 Assembly with suitable straps: 960 733 1XX 0 /according assembly instruction doc. code 092

Produkt enthält eine nicht aufladbare Lithium Batterie.
 Product contains a non-rechargeable Lithium Battery.

Druckmessgenauigkeit Pressure Measurement Precision	Temperature Range -40 to 0°C 0 to 40°C 40 to 80°C 80 to 125°C	100 to 500 kPa, abs ± 35 kPa ± 23 kPa ± 23 kPa ± 50 kPa	500 to 1050 kPa, abs ± 30 kPa ± 23 kPa ± 30 kPa ± 40 kPa	1050 to 1287 kPa, abs ± 35 kPa ± 25 kPa ± 30 kPa ± 50 kPa
Druckmessbereich Pressure Measuring Range	calibrated: 0 to 1287,0 kPa, absolute (-100 to 1187,0 kPa, relative) non-calibrated: 1292,5 to 1402,5 kPa, absolute (1192,5 to 1302,5 kPa, relative)			
Betriebs Temperatur Operation Temperature	-40°C to +125°C, but 115°C to +125°C for max 24 hour over lifetime			
Medium	Luft / Air			
Sendeleistung RF Power	75,0 dBµV/m to 80,9 dBµV/m in 3m distance			
Sendefrequenz Transmitter Frequency	min. 433,80 MHz max. 433,965 MHz			
Übertragungsgeschwindigkeit Transmission Rate	9.600 bit/sec			
Sendintervall Active Mode Transmission Interval Active Mode	40 sec			
Schutzart Degree of Protection	IP5k4			
For further Technical data see product specification Weitere technische Daten siehe Produktspezifikation	Product Specification: 960 733 001 0 Doc. code 035			
Labeling	visibility and content must be ensured			Height of item
Logo	WABCO			2,3 mm
Serial Number	IP:xxxxxxxx decimal format			1 mm
PRI	267			1 mm
FCC ID	FCC ID:YMY-030860			1 mm
IC ID	IC:9157A-030860 MN:030860			1 mm
ZF Part No	960 733 001 0			1,3 mm
Production Date	WW/YY			1 mm
CE Marking	CE Symbol			2,3 mm
Recycling Symbol	Garbage Symbol			4,3 mm
ECE approval mark	(E1) 10R-058285			E1:3mm/Text 1mm
Data Matrix Code	ID:xxxxxxxx,PN:960 733 001 0,PD:yyymmdd.			6x6 mm
Enthoelt Lithium Knopfzelle Contain Lithium Coin Cell	Lithium Anteil: <1g / Li content: <1g			
Sauberkeitsanforderungen Cleanliness Requirements	JED-593 CCC-A(K02) affected surface 3.826 mm ²			
Kunststoffmaterial Plastic Material	JED-352-9			

General Specification: JED-334-1, Size ISO 14405 LP		Copyright WABCO®		WABCO		
Further Technical Data:		Date	Signature			
Doc. Code:	Sheet:	To	Drawn	OptiTire Strap Mounted Sensor		
General Tolerances JED-261		2021-07-30	Markuszewski			
Range of Nominal Dimensions (± mm)		Checked	2021-07-30	Expert Lesik		
Class 1)	≤ 50	> 50 ≤ 180	> 180 ≤ 400			> 400
Fine	0.5	1.0	1.5	2.0	Material No.	
Medium	1.0	2.0	3.0	4.0	Date of first issue: 2021-07-13	
Coarse	2.0	3.5	5.0	6.5	Doc.Code Language Sheet	
Tapped Holes acc. JED-152		Corneilus		005 DE 1/1		
1) Tolerance Class Applied Crossmarked		Mass	Scale	960 733 001 0 (A)		
		0,018 kg	2:1	ECN-No. Revision Techn. Resp. Replacement for		
		A 2	CREO	508900 1x A 6034_TPS		