

PORT FOR RESERVOIR
ANSCHLUSS FUER LUFTBEHAELTER
ORIFICE AU RESERVOIR
ORIFIZIO AL SERBATOIO

PORT FOR SPRING BRAKE CYLINDER
ANSCHLUSS FUER FEDERSPEICHER-ZYL
ORIFICE AU CYLINDRE A RESSORT
ORIFIZIO AL CYLINDRO A MOLLA

PORT FOR BRAKE CYLINDER
ANSCHLUSS FUER BREMSZYLINDER
ORIFICE AU CYLINDRE FREIN
ORIFIZIO AL CYLINDRO FRENO

EXHAUST
ENTLUEFTUNG
ECHAPPEMENT
SCARICO

WORKING PRESSURE
BETRIEBSDRUCK
PRESSION DE SERVICE p_u max 8 bar
PRESSIONE D'ESERCIZIO

THERMAL RANGE OF APPLICATION
THERMISCHER ANWENDUNGSBEREICH -10° +120°C
APPLICATION THERMIQUE
CAMPO DI APPLICAZIONE TERMICA

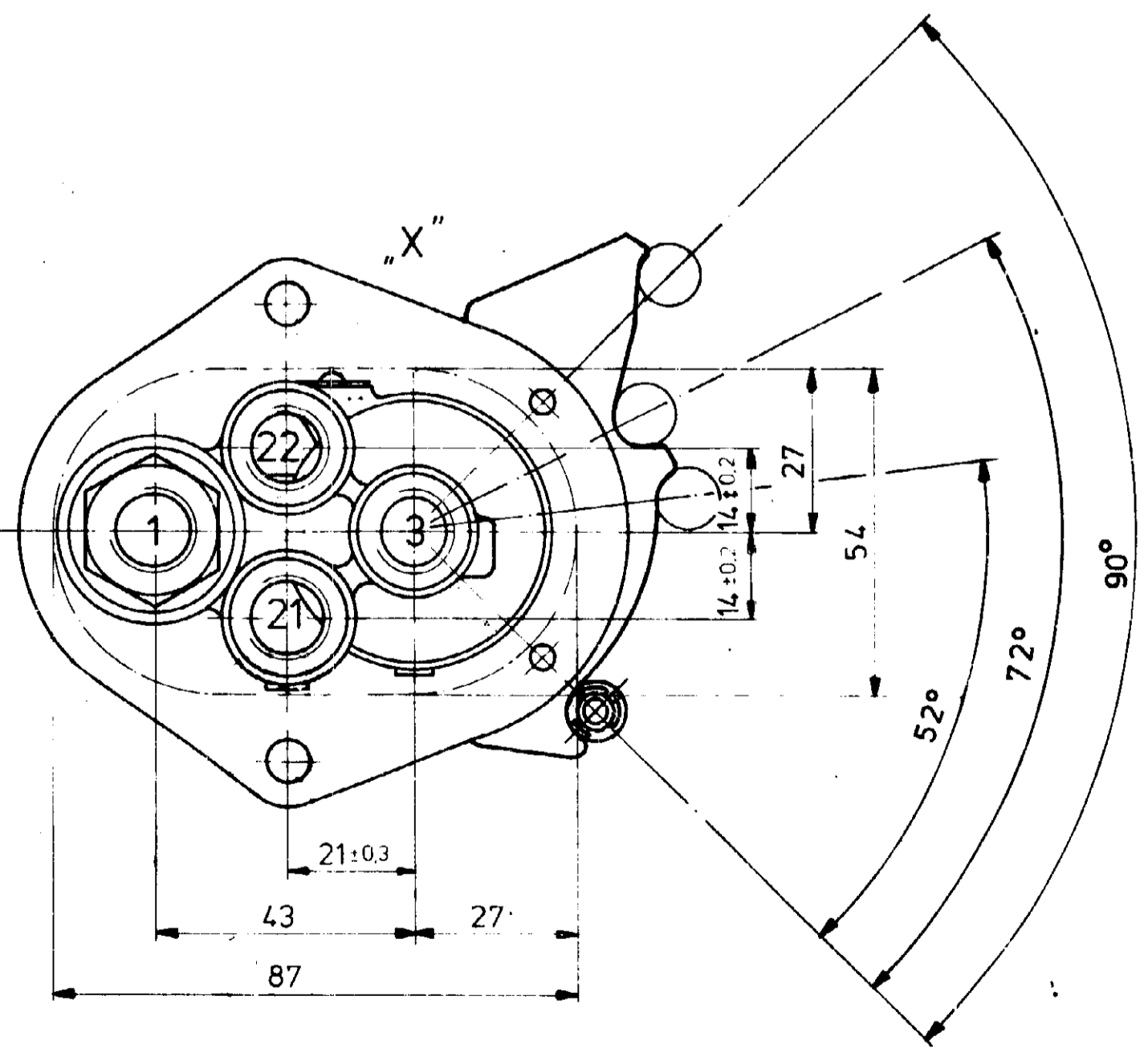
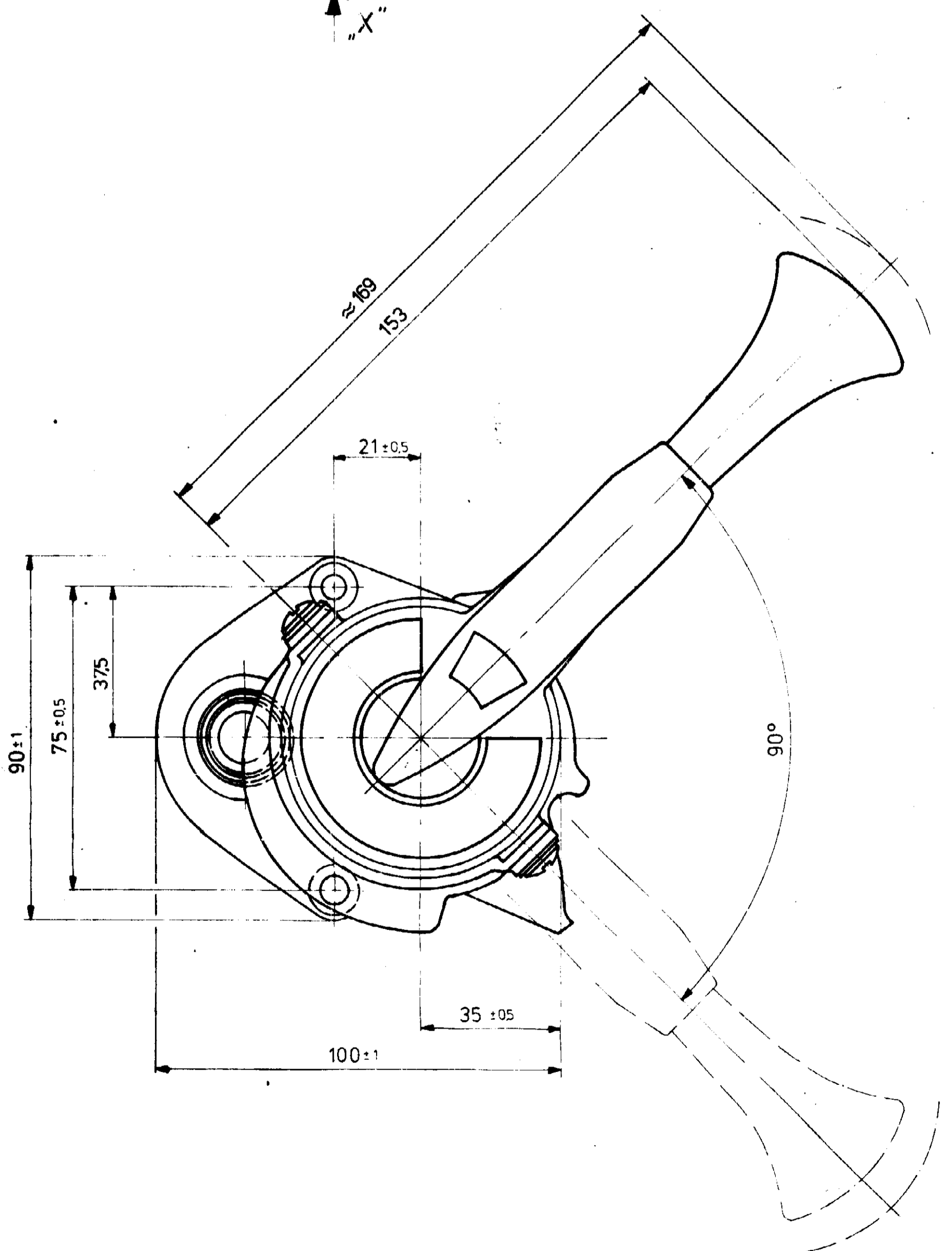
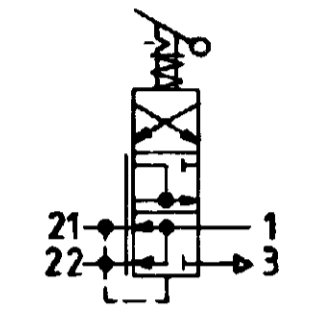
MEDIUM: AIR
MEDIUM: LUFT
FLUIDE: AIR
FLUIDO: ARIA

SURFACE PROTECTION
OBERFLAECHENSCHUTZ
PROTECTION DE SURFACE
PROTEZIONE SUPERFICIA

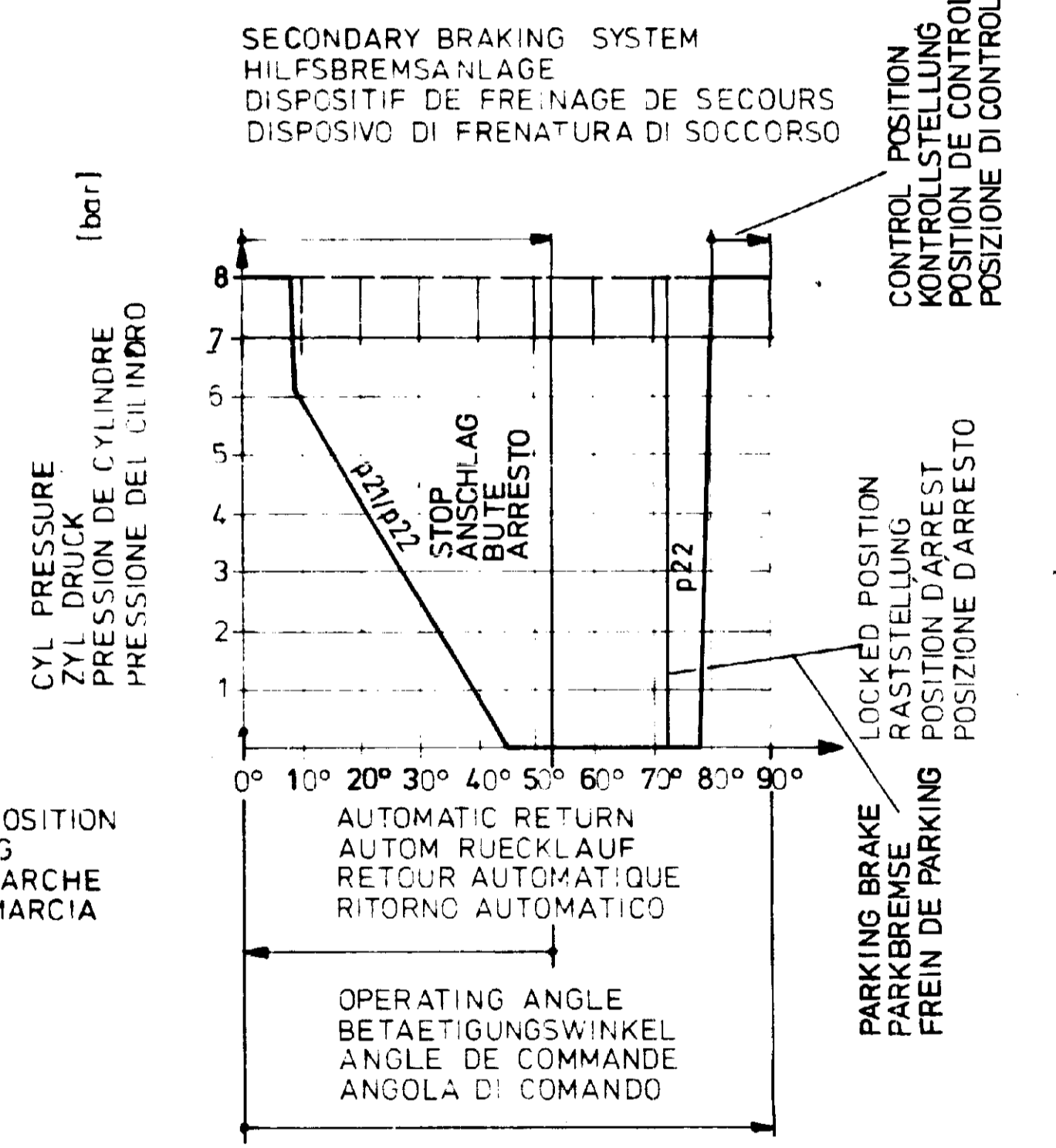
ALUMINUM PARTS
TEILE AUS ALUMINIUM c/c DIN 50 939
PIECES EN ALUMINIUM
PEZZI D'ALLUMINIO

STEEL PARTS
TEILE AUS STAHL Fe/Zn 6 c/c DIN 50 961
PIECES EN ACIER
PEZZI D'ACCIAIO

FASTENERS AND SIMILAR PARTS
GEWINDE-UND FORMTEILE AUS STAHL A 3c DIN 267
ARTICLES DE BOULONNERIE
ARTICOLI DI BULLONERIA



TRAVELLING POSITION
FAHRSTELLUNG
POSITION DE MARCHE
POSIZIONE DI MARCIA



SECONDARY BRAKING SYSTEM
HILFSBREMSANLAGE
DISPOSITIF DE FREINAGE DE SECOURS
DISPOSITIVO DI FRENATURA DI SOCCORSO

Vertical text on the left edge of the page, likely a scanning artifact or a reference to a standard.

31164		85-07-30		83-02-15		WABCO	
83-02-15		83-02-15		83-02-15		HAND OPERATED BRAKE VALVE	
83-02-15		83-02-15		83-02-15		ROBINET DE COMMANDE A MAIN	
83-02-15		83-02-15		83-02-15		RUBINETTO DI COMANDO A MANO	
83-02-15		83-02-15		83-02-15		HANDBREMSVENTIL (ENTLUEFTEND)	
83-02-15		83-02-15		83-02-15		961 702 006 0	
83-02-15		83-02-15		83-02-15		A 1 140	
83-02-15		83-02-15		83-02-15		605	