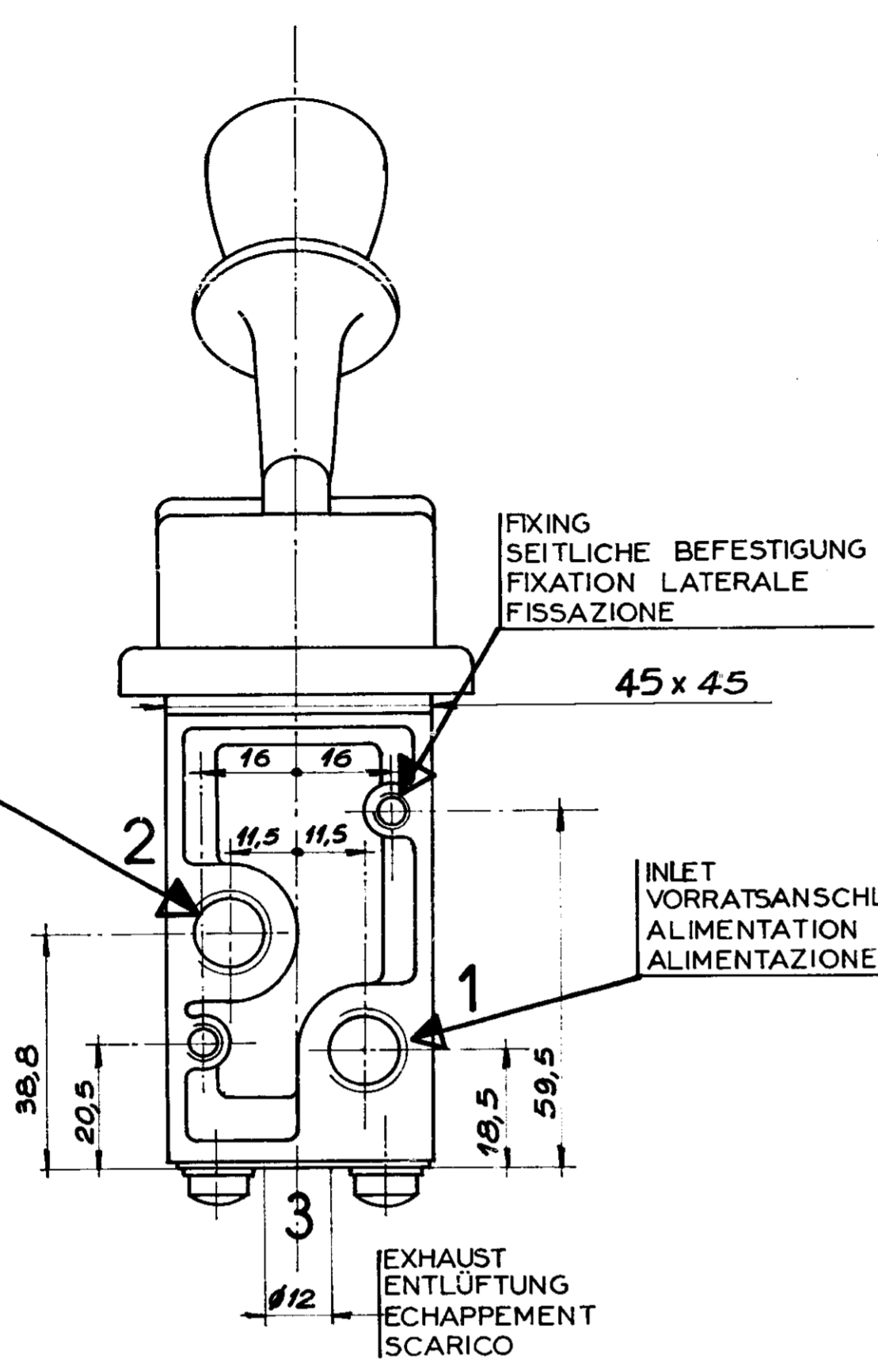


TIRAGE n°:

DELIVERY  
AUSGESTEUERTE LUFT  
UTILISATION  
UTILIZZAZIONE



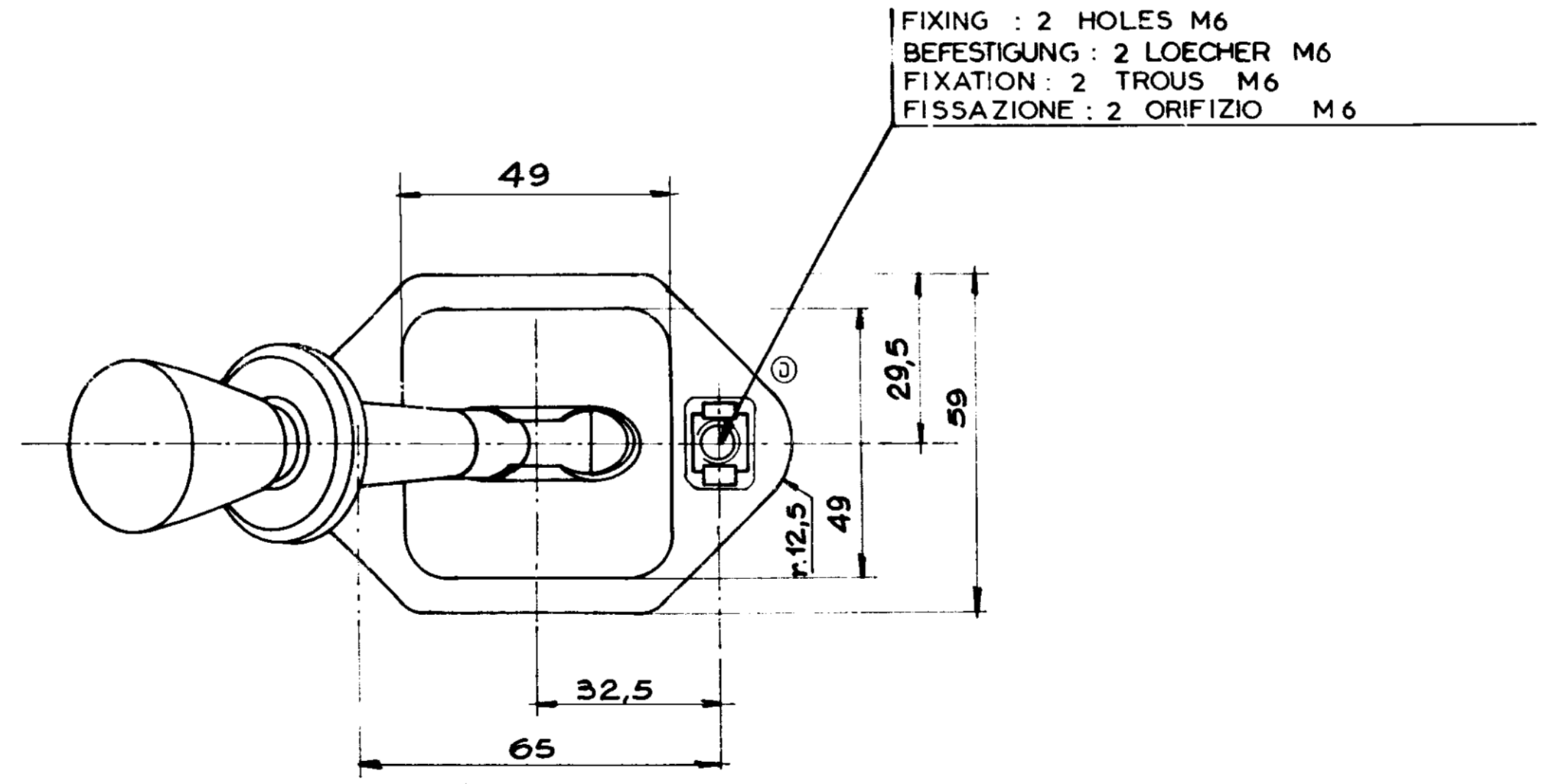
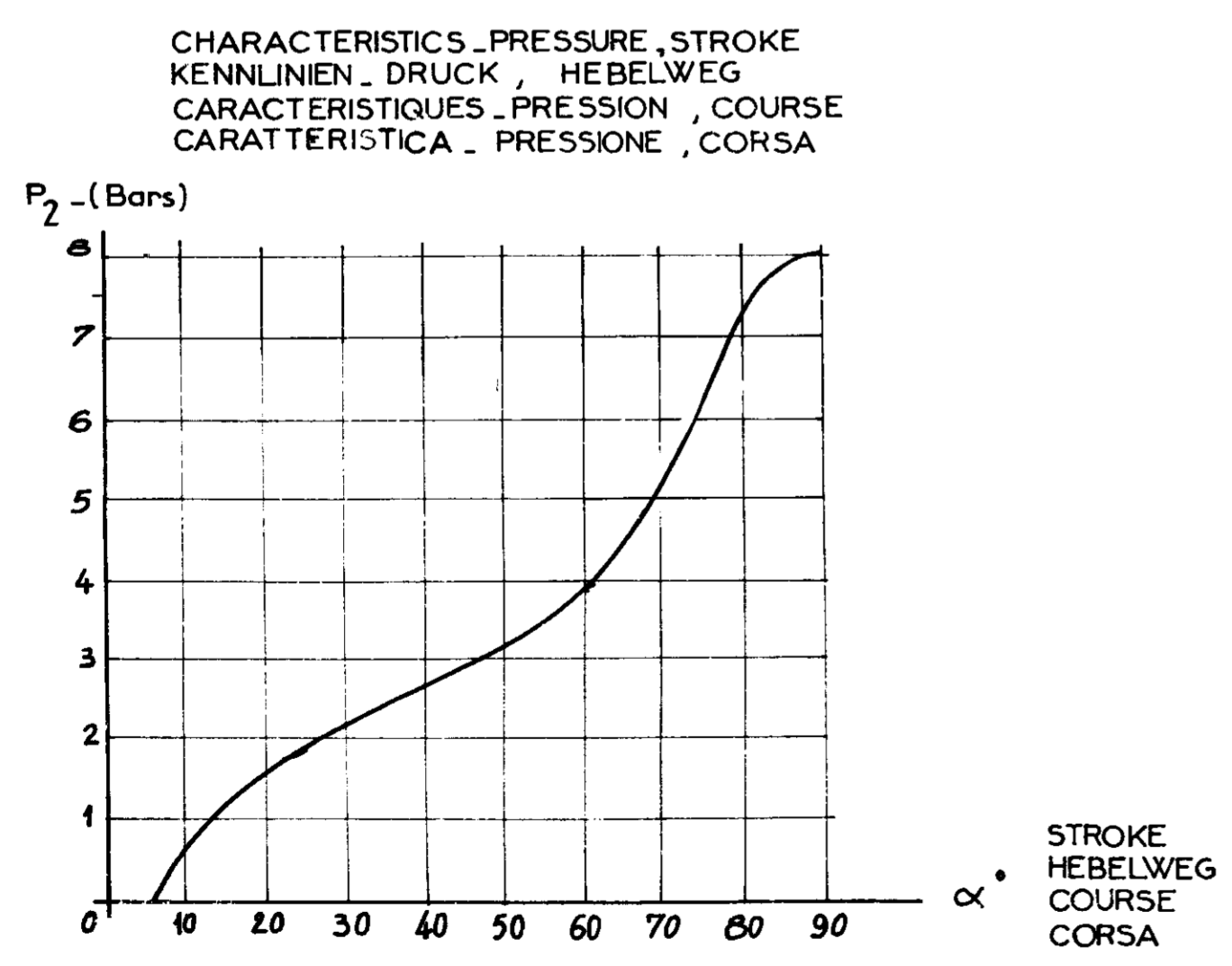
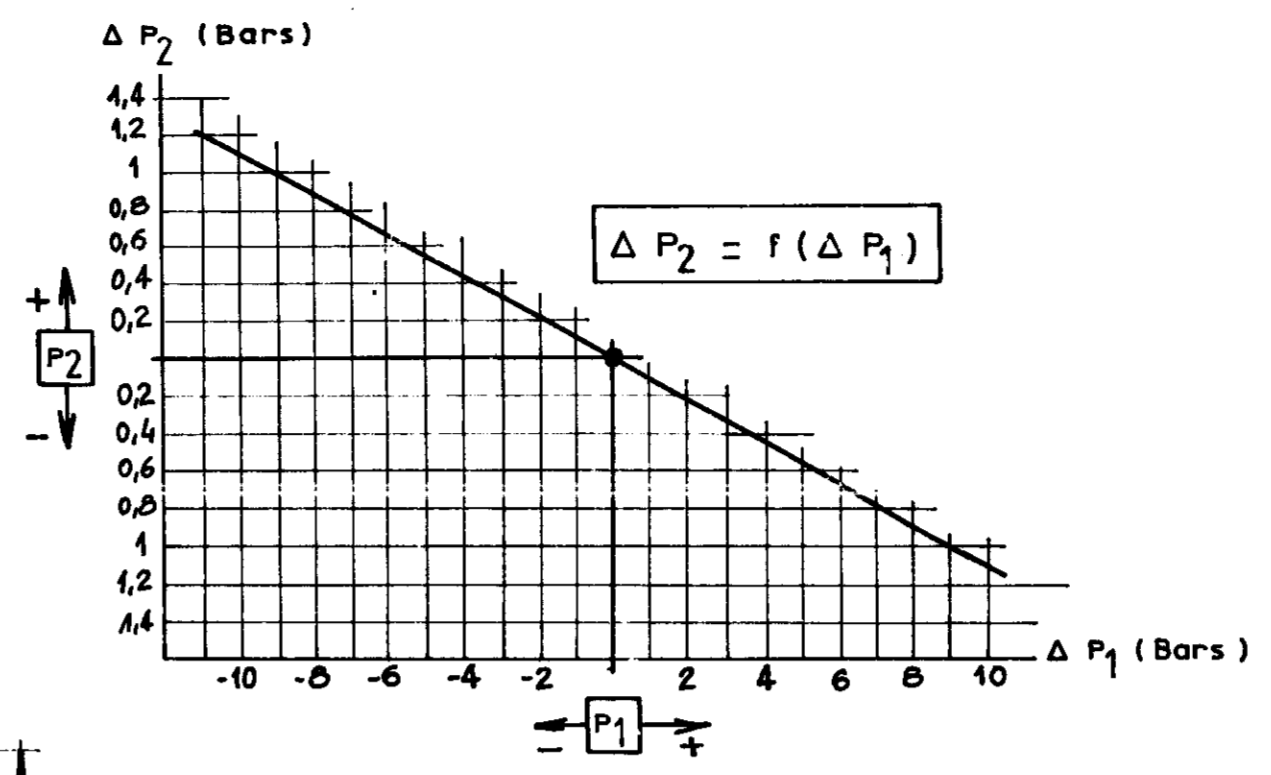
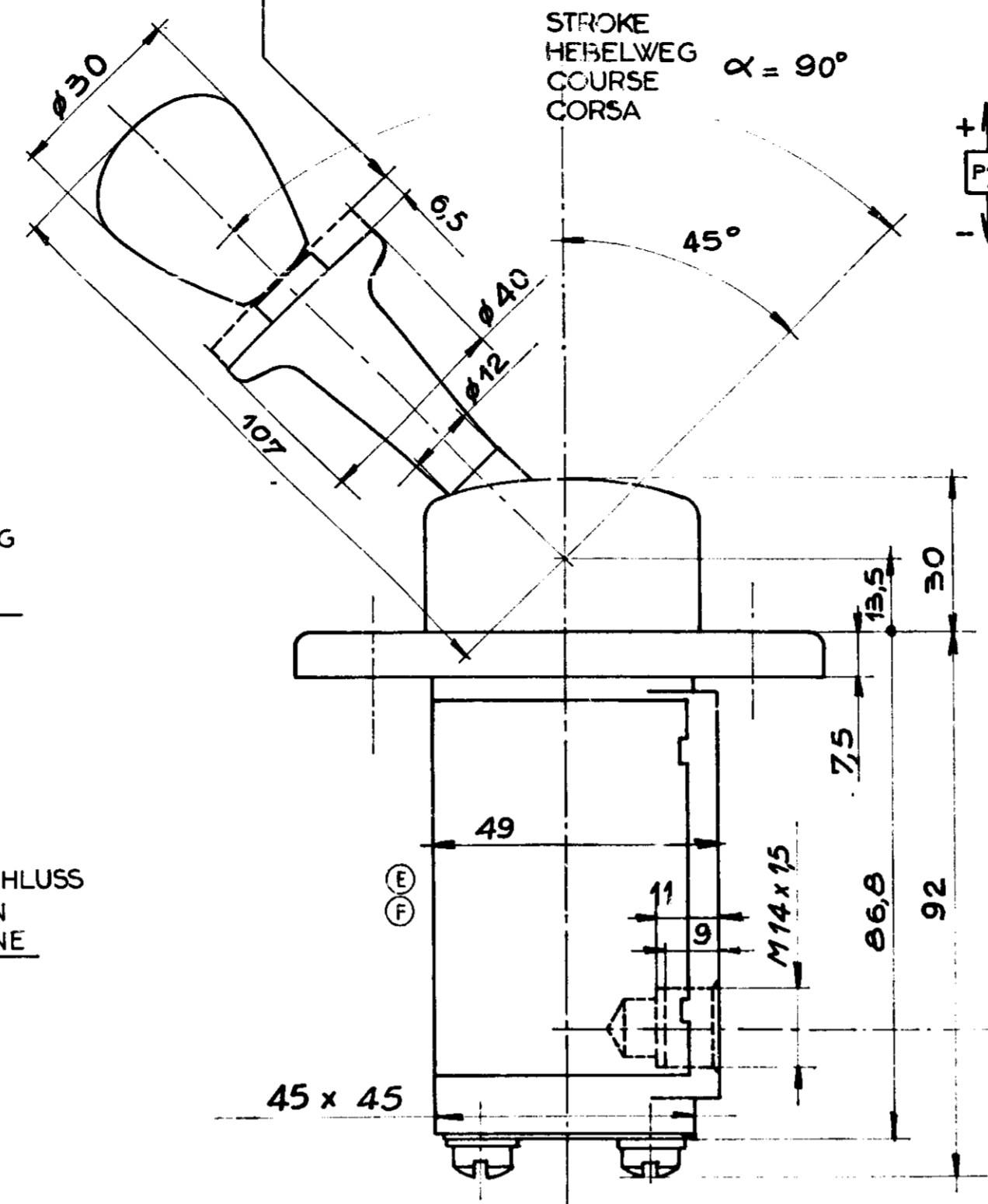
LOCKING STROKE  
RÄSTERUNGSWEG  
COURSE DE VERROUILLAGE  
CORSA DI BLOCCAGGIO

LEVER POSITON  
HEBELSTELLUNG  
POSITION DU LEVIER  
POSIZIONE DELLA LEVA

$P_2 = 0$

STROKE  
HEBELWEG  
COURSE  
CORSIA

$\alpha = 90^\circ$



INLET PRESSURE EINGESTEUERTER DRUCK PRESSION D'ALIMENTATION PRESSIONE D'ALIMENTAZIONE	$P_1$	15 Bars.
DELIVERY PRESSURE AUSGESTEUERTER DRUCK PRESSION DELIVREE PRESSIONE LIBERATA	$P_2$	8 Bars
WORKING TEMPERATURE THERMISCHER ANWENDUNGSBEREICH TEMPERATURE DE FONCTIONNEMENT TEMPERATURA DI FUNZIONAMENTO	T	-20° + 100°C
MEDIUM MEDIUM FLUIDE FLUIDO		COMPRESSED AIR DRUCKLUFT AIR COMPRIE ARIA COMPRESSA
MAXI INLET PRESSURE MAX BETRIEBSDRUCK PRESSION MAXI. D'ALIMENTATION PRESSIONE MASSIMA D'ALIMENTAZIONE	$P_1$	20 Bars.
WORKING POSITION EINBAULAGE POSITION DE FONCTIONNEMENT POSIZIONE DI FUNZIONAMENTO		UNIMPORTANT BELIEBIG INDIFFERENTE INDIFFERENTE

GENERAL SPEC. - ALLIEMENT SPEC. SPEC. GENERALES - SPEC. GENERALI		BLANK NO. - IDENTIFICATION NO. - NO. IDENTIFICATION
TREATMENT - BEHANDLUNG /ATTIEMENT - TRATTAMENTO	SURFACE PROTECTION - OBERFLÄCHENSCHUTZ PROTECTION - PROTEZIONE	MATERIAL - WERKSTOFF MATERIE - MATERIALI
DATE 77.09.20	SIGNATURE CHAMONT.	WABCO WESTINGHOUSE
82.124 1x 82.12.27	77.09.22	HAND BRAKE VALVE HAND BREMSVENTIL ROBINET DE FREINAGE A MAIN RUBINETTO DI COMANDO A MANO.
82.061 AX 82.06.26	80.011 80.2.31	
78.500 C 78.44.20		
77.142 77.10.24	77.209.26	
77.123 77.12.26		
CHANGE NO. LETT. DATE	SCALE	IDENTIFICATION CODE
	0.6 1:1	961 721 002 0 F724-227-00
REPLACEMENT FOR	SIZE	CODE FOR FUNCTION
	A1	521
	2:0	CODE FOR DRAWING
		605