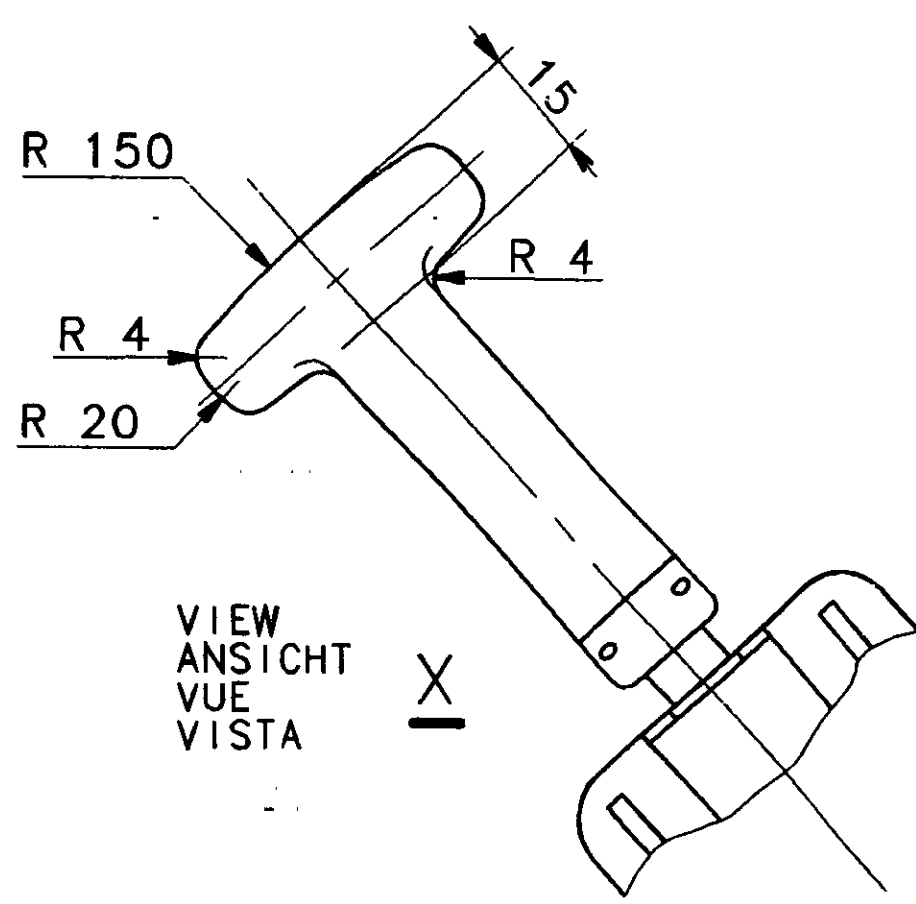
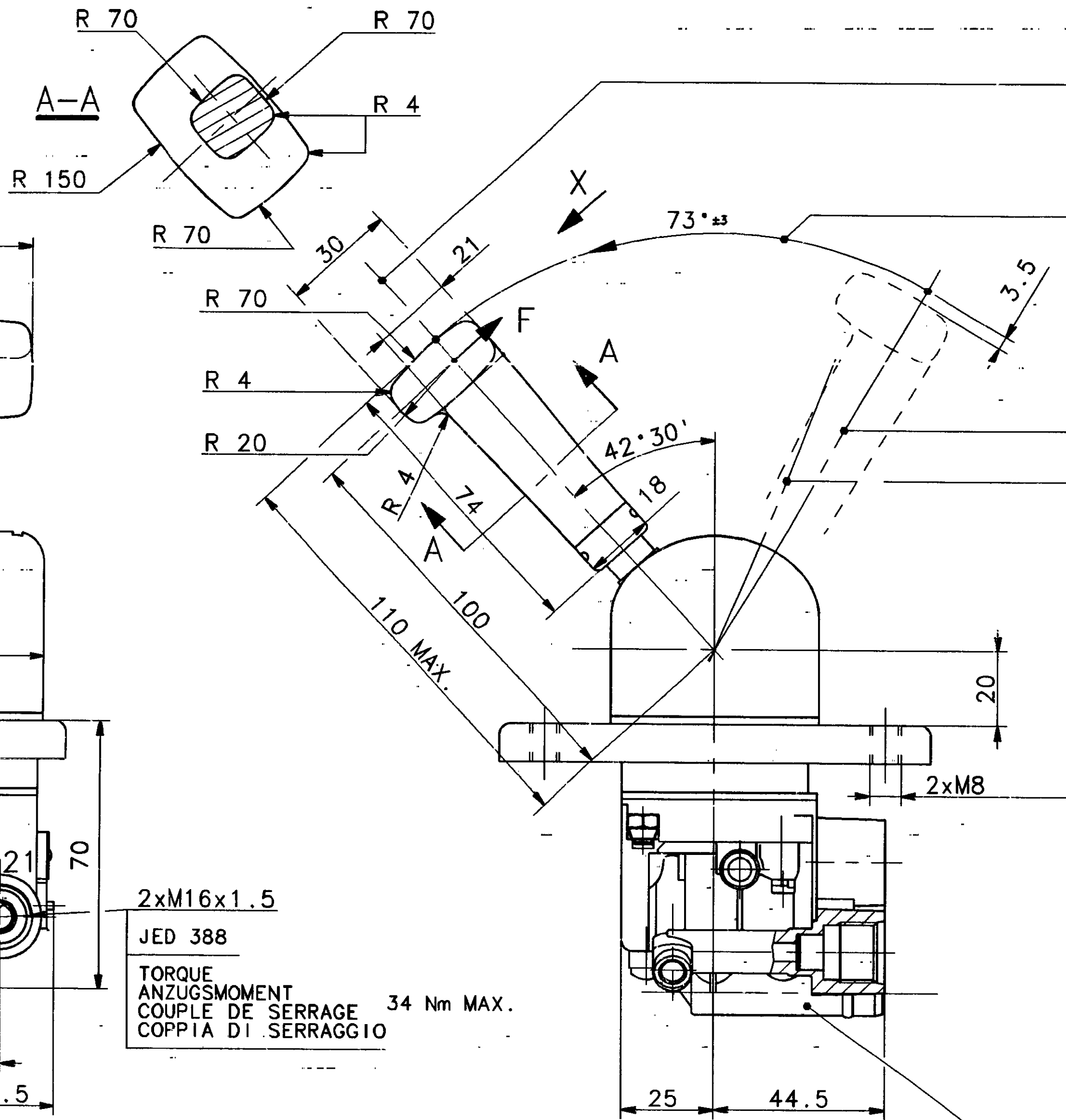
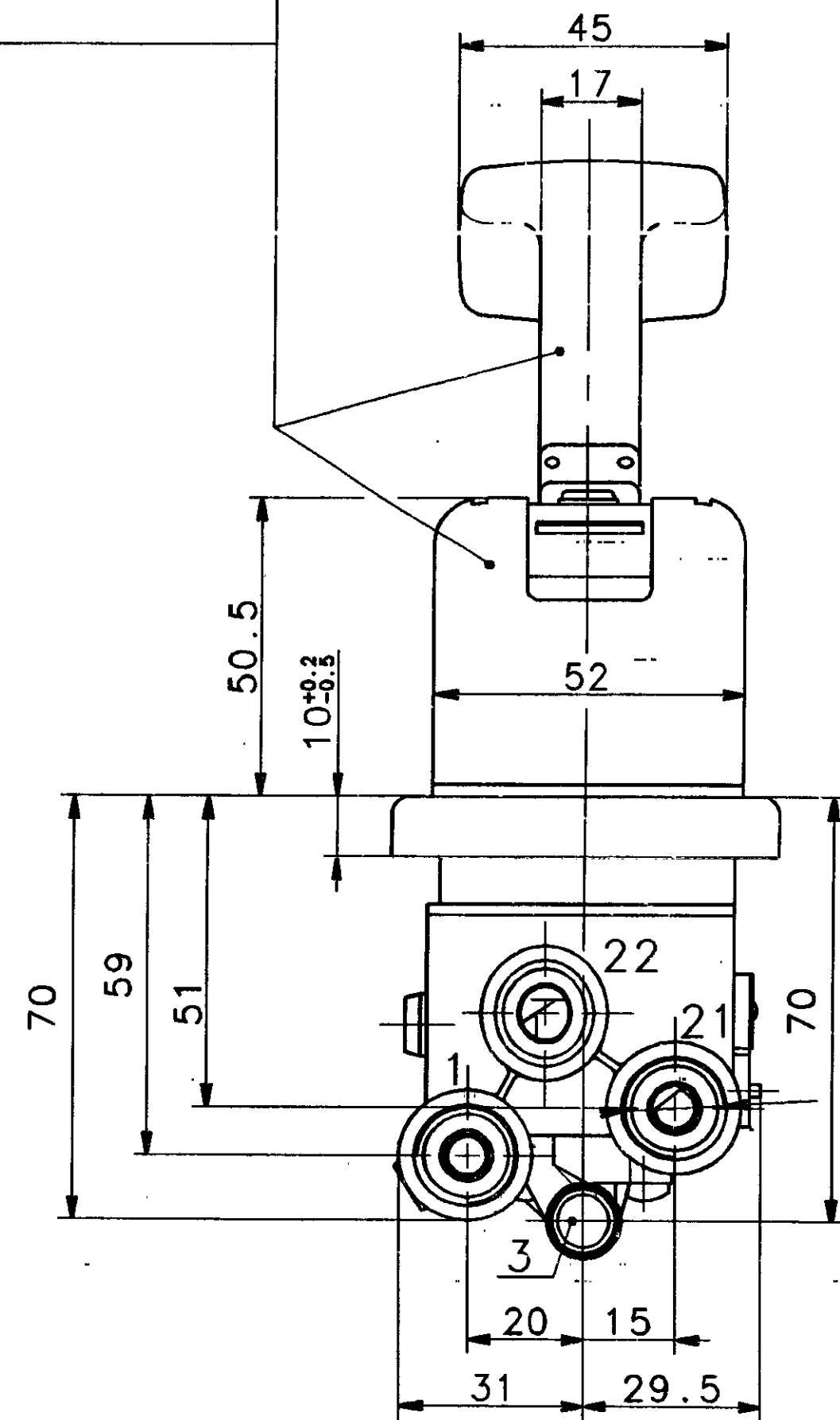


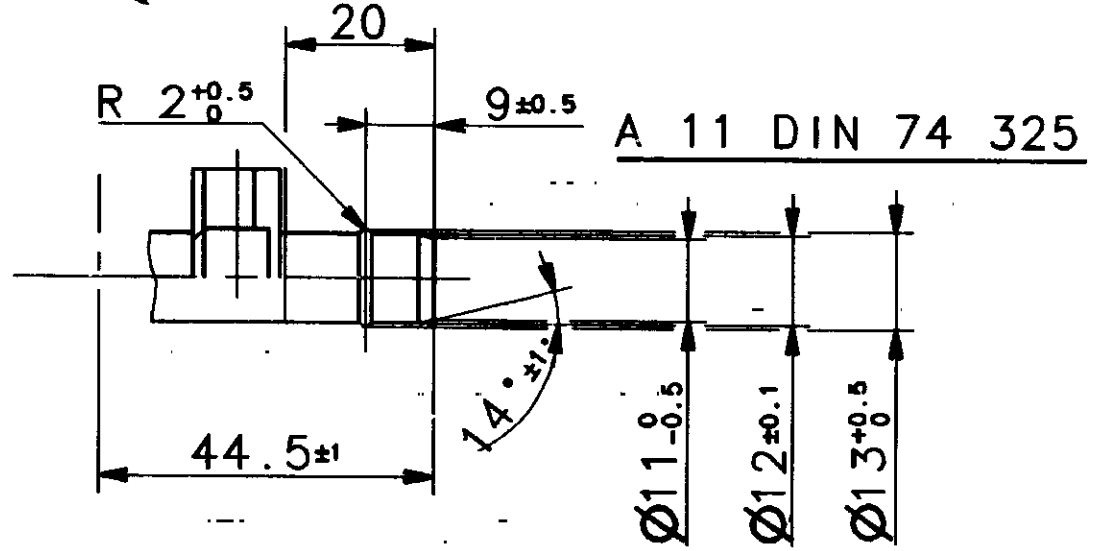
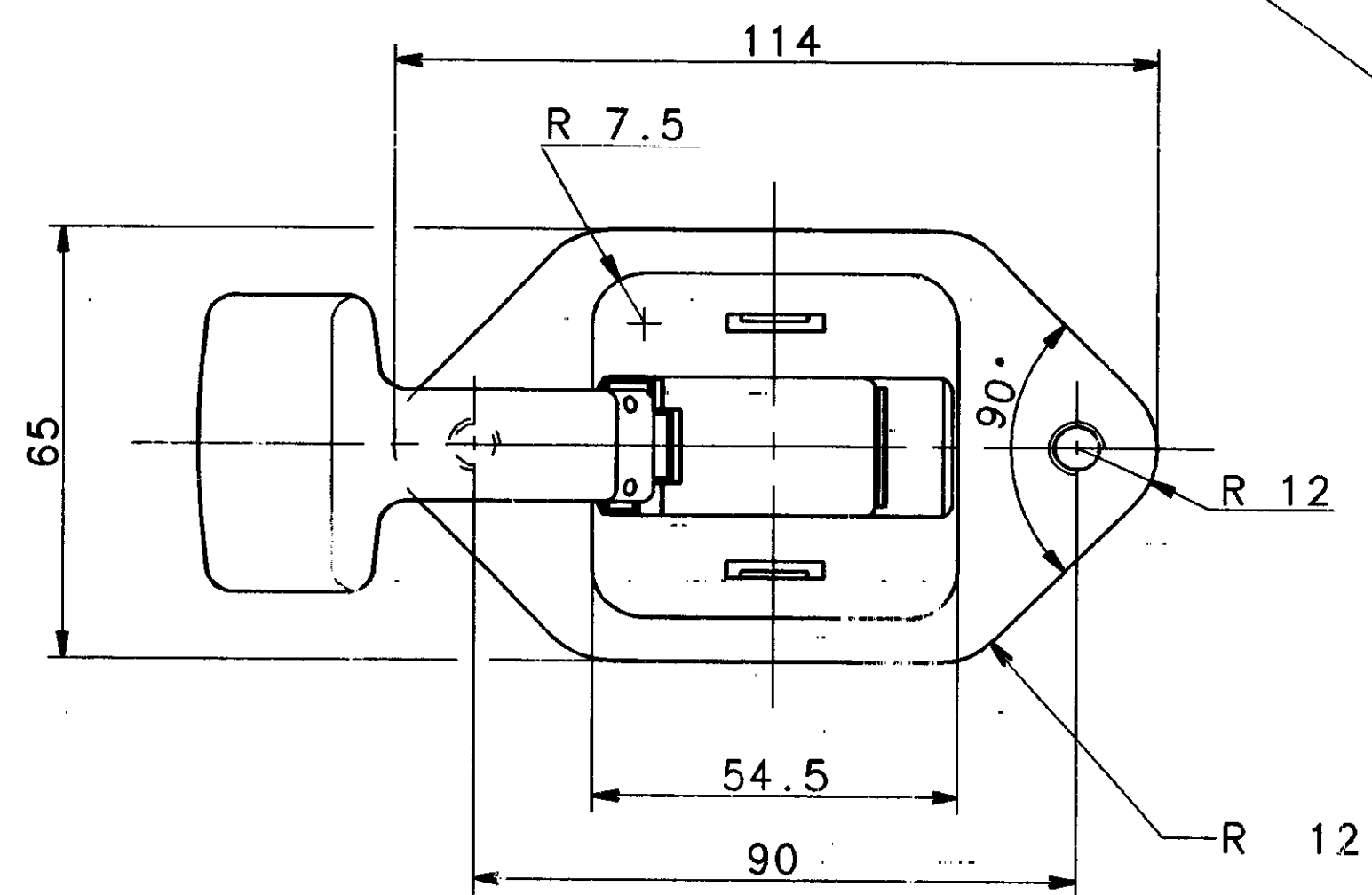
SURFACE APPEARANCE
 OBERFLAECHENBILD
 ASPECT DE SURFACE
 ASPETTO DI SUPERFICIE

DBL 5300.35
 Rz=9-13

COLOUR
 FARBE
 COULEUR
 COLORE



VIEW
 ANSICHT
 VUE
 VISTA



TRAVELLING POSITION
 FAHRSTELLUNG
 POSITION ROUTE
 POSIZIONE DI MARCIA

AUTOMATIC RETURN
 AUTOMATISCHER RUECKLAUF
 RETOUR AUTOMATIQUE
 RITORNO AUTOMATICO

PARKING POSITION
 RASTSTELLUNG
 POSITION PARKING
 POSIZIONE DI STAZIONAMENTO

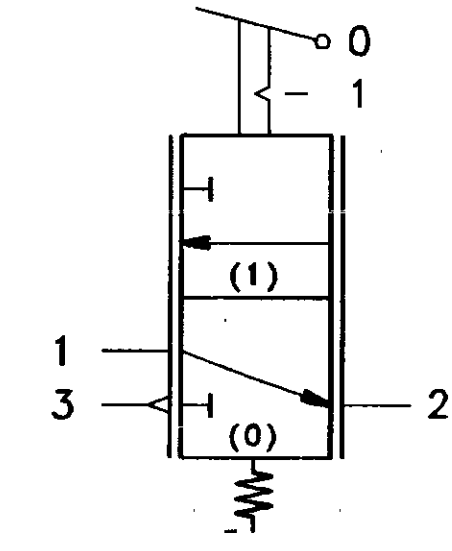
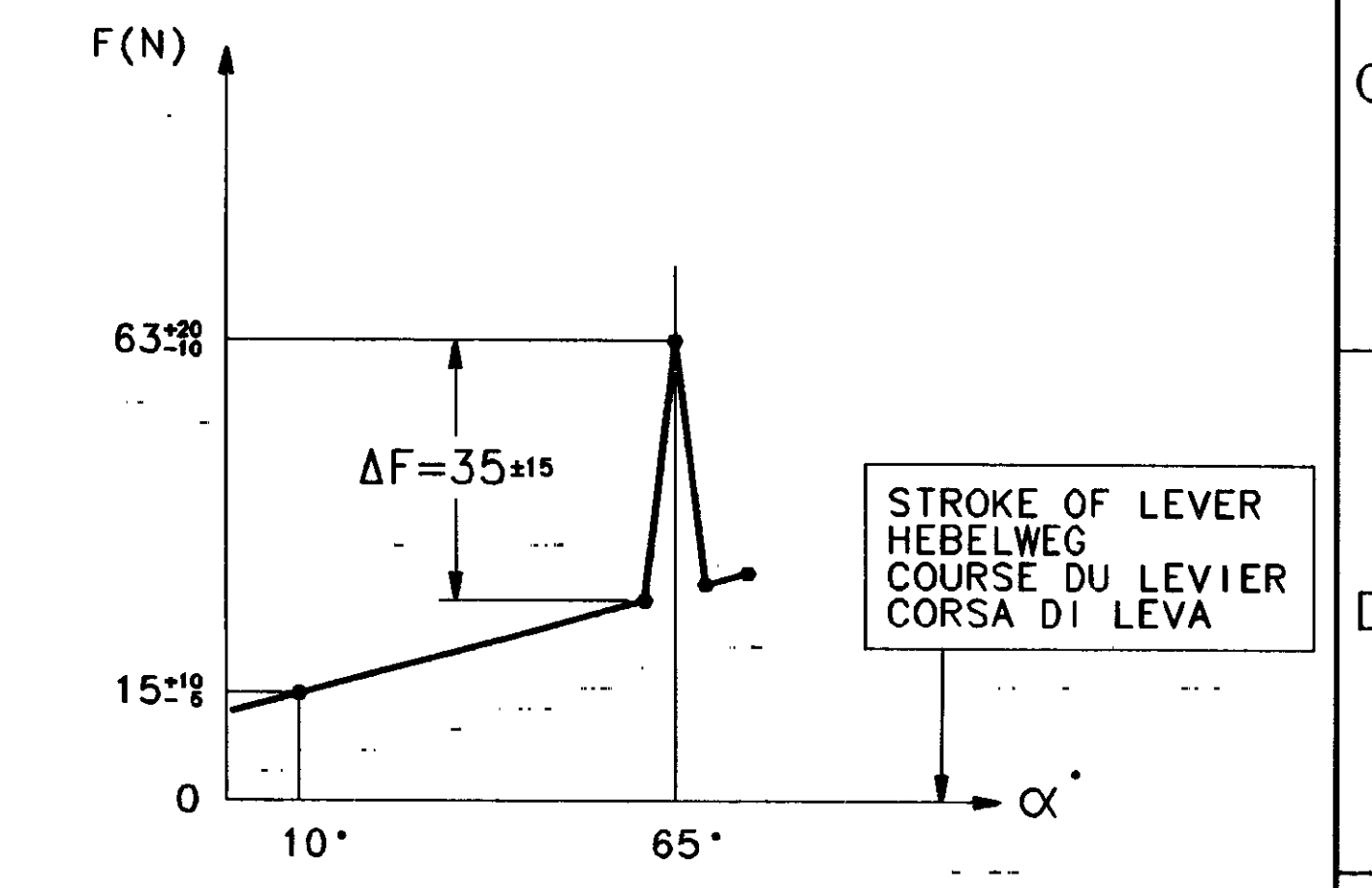
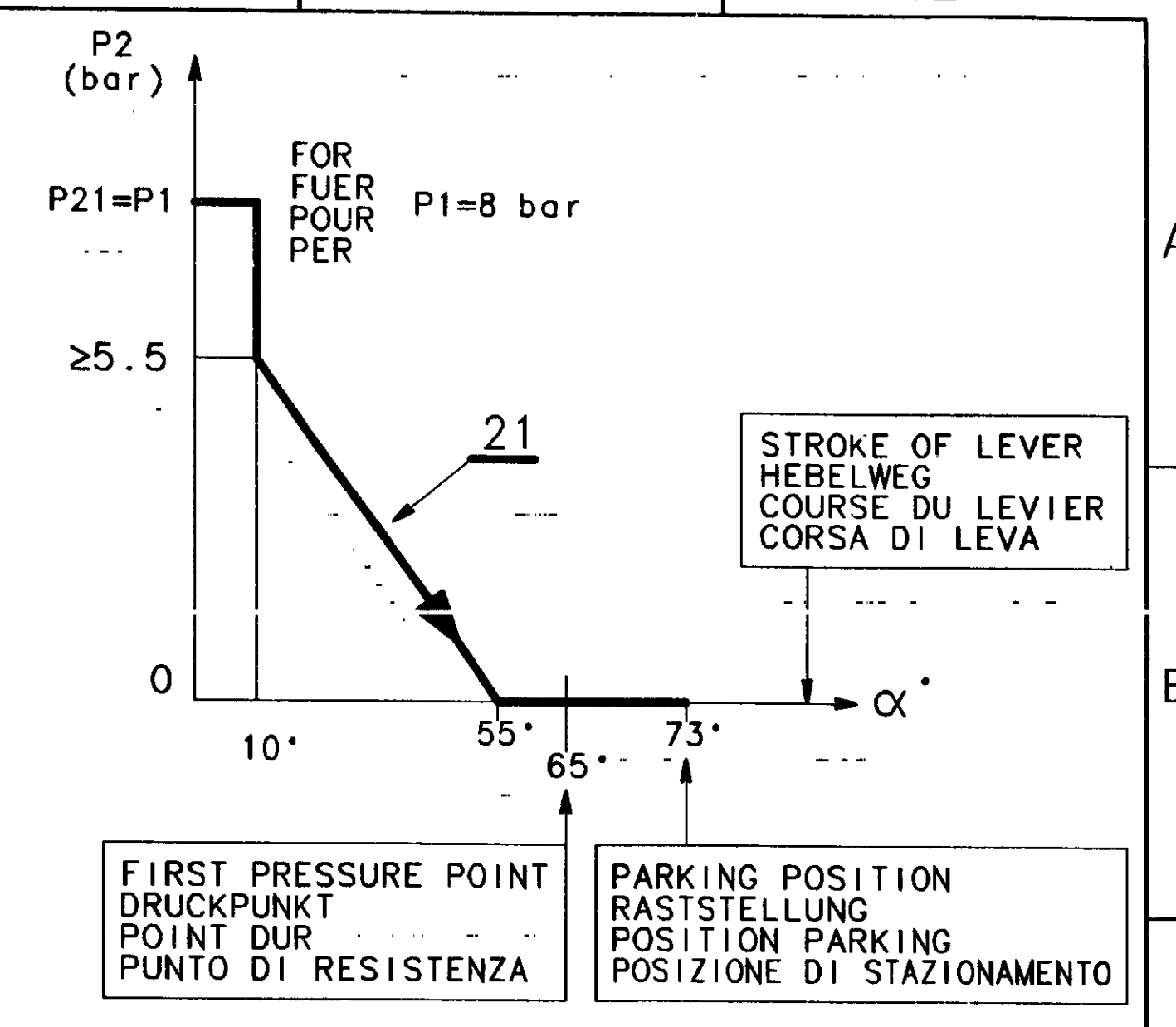
FIRST PRESSURE POINT
 DRUCKPUNKT
 POINT DUR
 PUNTO DI RESISTENZA

TORQUE
 ANZUGSMOMENT
 COUPLE DE SERRAGE
 COPPIA DI SERRAGGIO

10 Nm MAX.

TORQUE
 ANZUGSMOMENT
 COUPLE DE SERRAGE
 COPPIA DI SERRAGGIO

34 Nm MAX.



SYMBOL
 SYMBOL
 SIMBOLE
 SIMBOLO

SHORT TERM RESISTANCE TO HEAT
 KURZZEITIGE WAERMEBESTAENDIGKEIT
 RESISTANCE A LA CHALEUR A COURTE DUREE
 RESISTENZA AL CALORE BREVE TEMPO SOLO

MAX. 200h. +90°C

1	SUPPLY VORRAT ALIMENTATION ALIMENTAZIONE	MEDIUM : AIR MEDIUM : LUFT FLUIDE : AIR FLUIDO : ARIA
21	SPRING BRAKE CYLINDER FEDERSPEICHERZYLINDER CYLINDRE A RESSORT CILINDRO A MOLLA	THERMICAL RANGE THERMISCHER ANWENDUNGSBEREICH TEMPERATURE D'UTILISATION TEMPERATURA DI UTILIZZAZIONE
3	EXHAUST ENTLUEFTUNG ECHAPPEMENT SCARICO	P ₁ = 10 bar MAX.

FURTHER TECHNICAL DATA SEE				
IDENTIFICATION NO.:	L			
CODE FOR DOCUMENT: 008	K			
SHEET: TO	J			
GENERAL TOLERANCES				
RANGE OF NOMINAL DIMENSIONS (± mm)				
CLASS	$1-80$	$80-180$	$180-400$	>400
I	0.5	1.0	1.5	2.0
II	1.0	2.0	3.0	4.0
III	2.0	3.5	5.0	6.5
TAPPED HOLES ACC. ISO 4030				
1) TOLERANCE CLASS APPLIED CROSSMARKED				

93 011	AB	93-01-20
DCH-NO.	REV.	DATE

COPYRIGHT		WABCO	
DATE	SIGNATURE	HAND BRAKE VALVE	
93-01-18	D GEST IN	HANDBREMSVENTIL	
CHECKED		ROBINET DE FREINAGE A MAIN	
93-01-18	BION	ROBINETTO DI COMANDO A MANO	
STANDARDIZATION		PRODUCT IDENTIFICATION NO.	
93-01-20	93011	961 723 005 0	
MASS	SCALE	CODE FOR DOCUMENT	SHEET
0.81	1:1	605	1/1
SIZE	I.B.T.	REPLACEMENT FOR	
A 1	210	DRAWING of 87-03-30	
TAPPED HOLES ACC. ISO 4030		EXPERT CODE	
521		TYPE OF PRODUCT	