

THE LOCKING DEVICE MUST AUTOMATICALLY AND SAFELY LOCK THE HANDLE IN THE PARKING POSITION  
 <1> DIE VERRASTUNG MUSS DEN HEBEL AUTOMATISCH UND SICHER IN DER PARKPOSITION HALTEN  
 LA BUTEE DOIT VERROUILLER AUTOMATIQUEMENT ET DE FACON SECURISEE LA POIGNEE EN POSITION PARKING

EMERGENCY BRAKING  
 HILFSBREMSSE  
 FREIN DE SECOURS  
 FREINO DI SOCCORSO

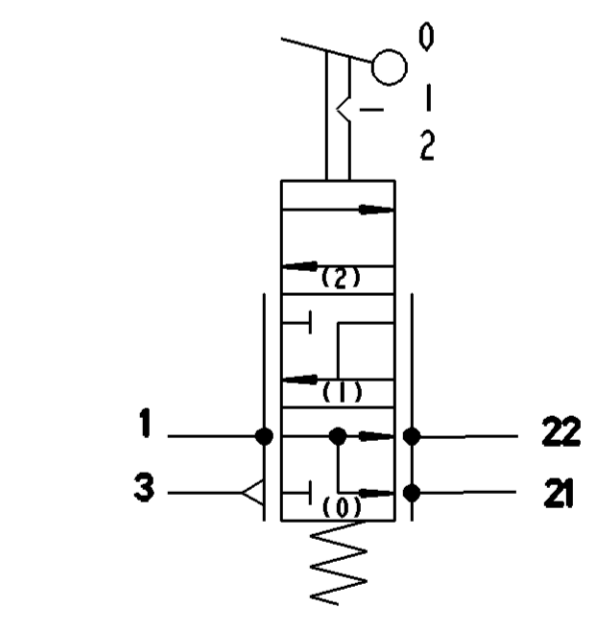
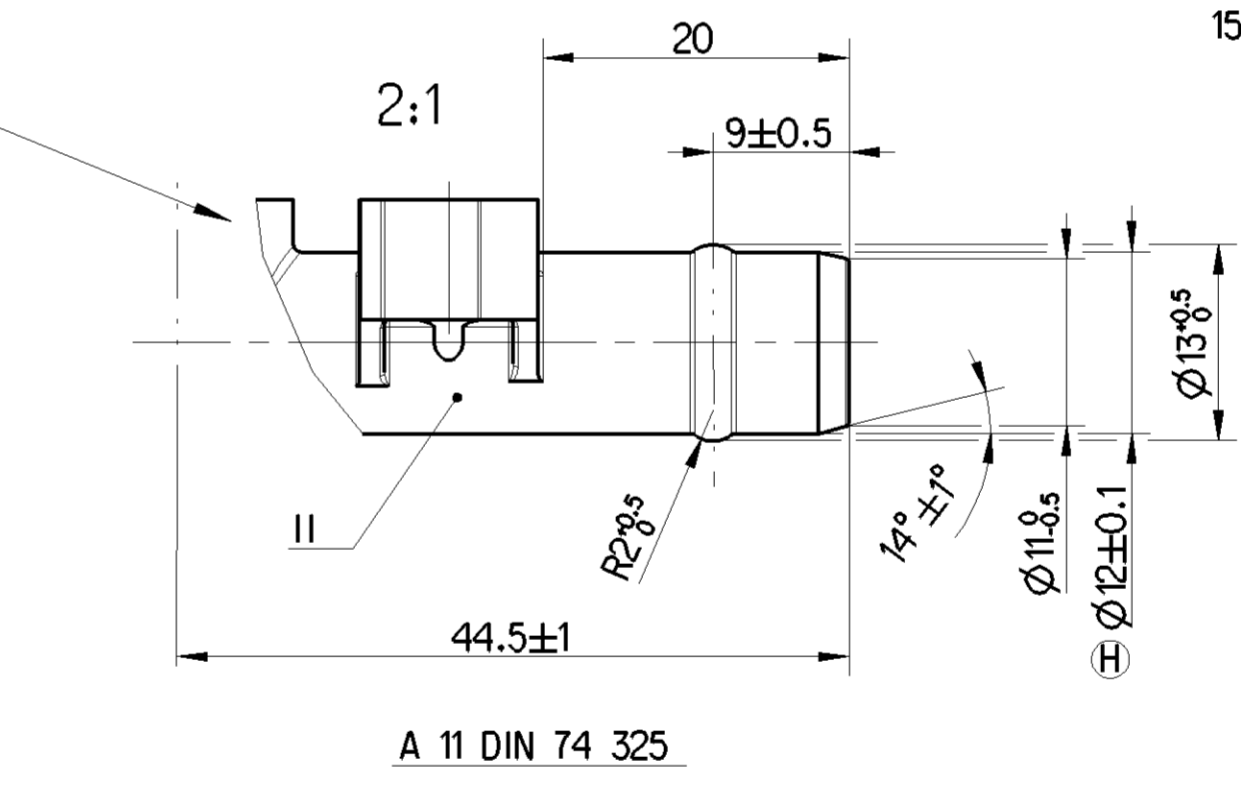
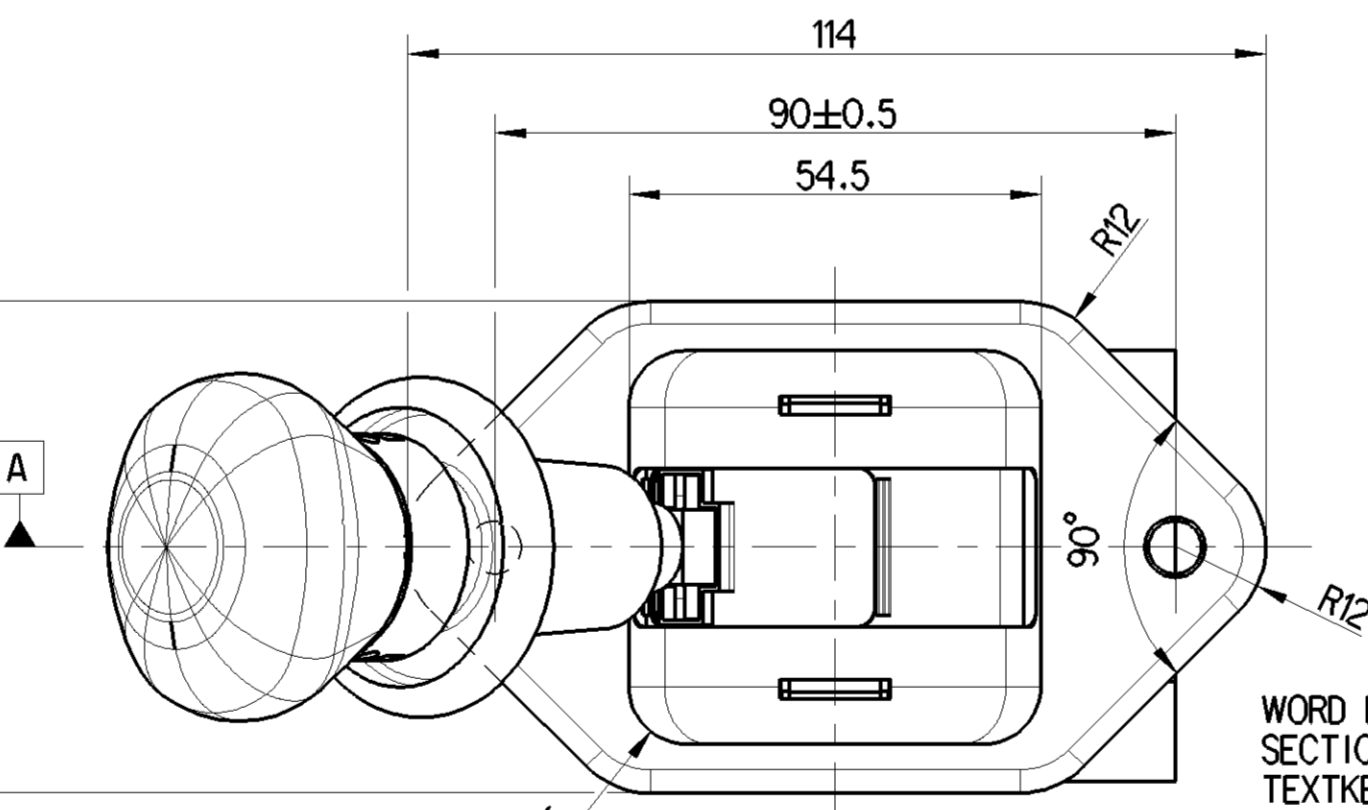
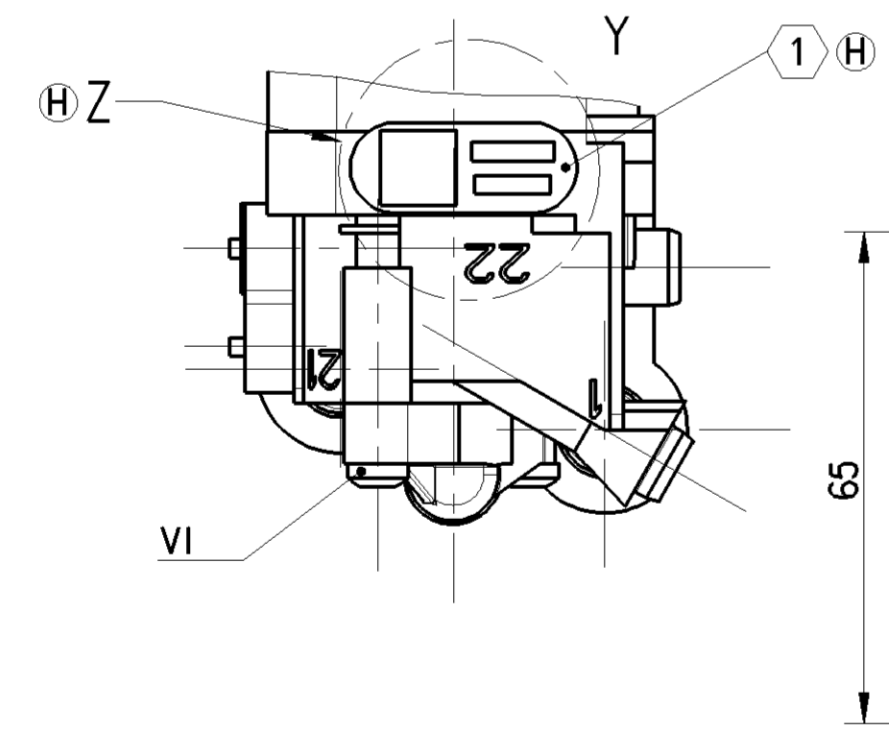
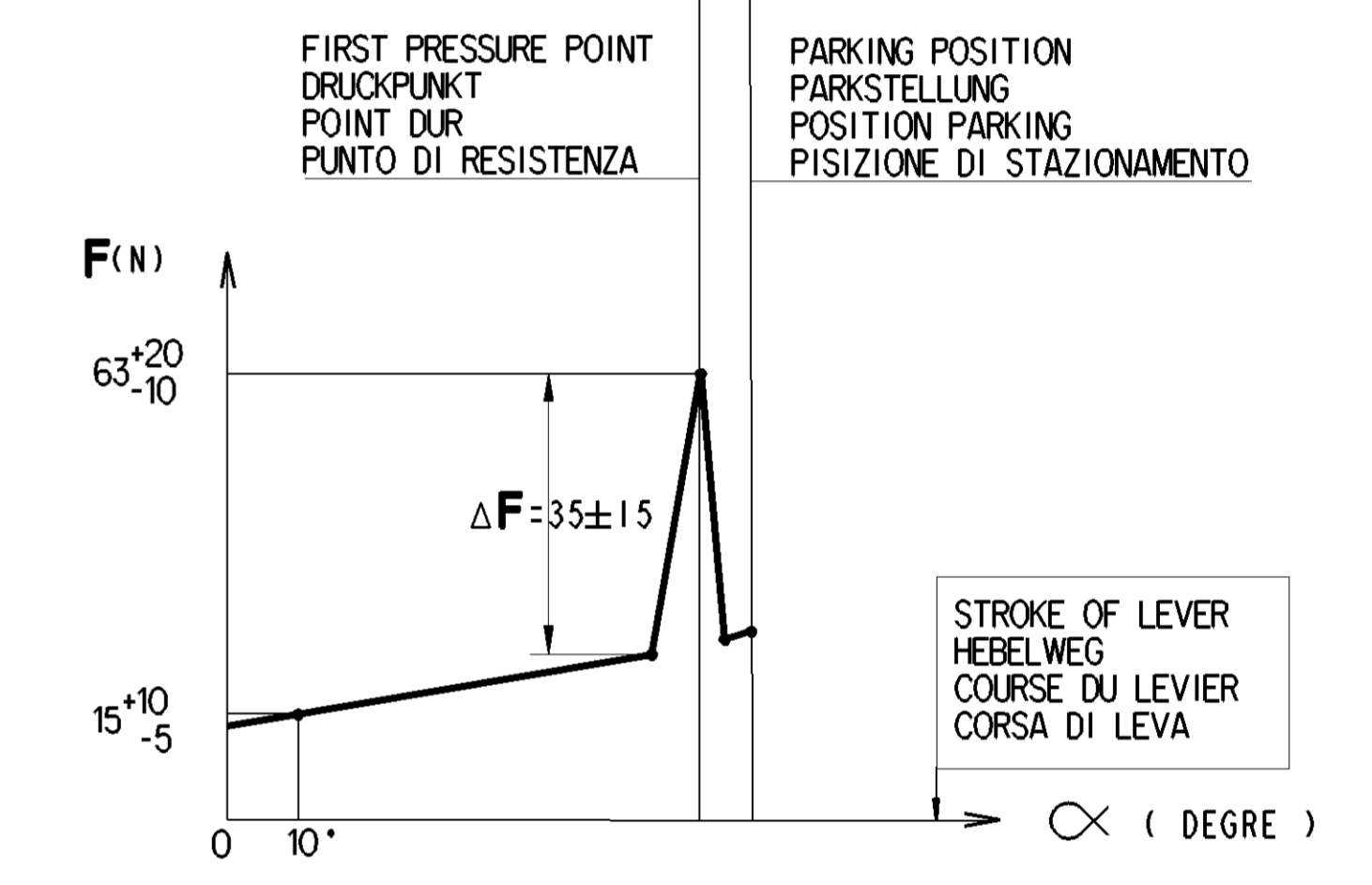
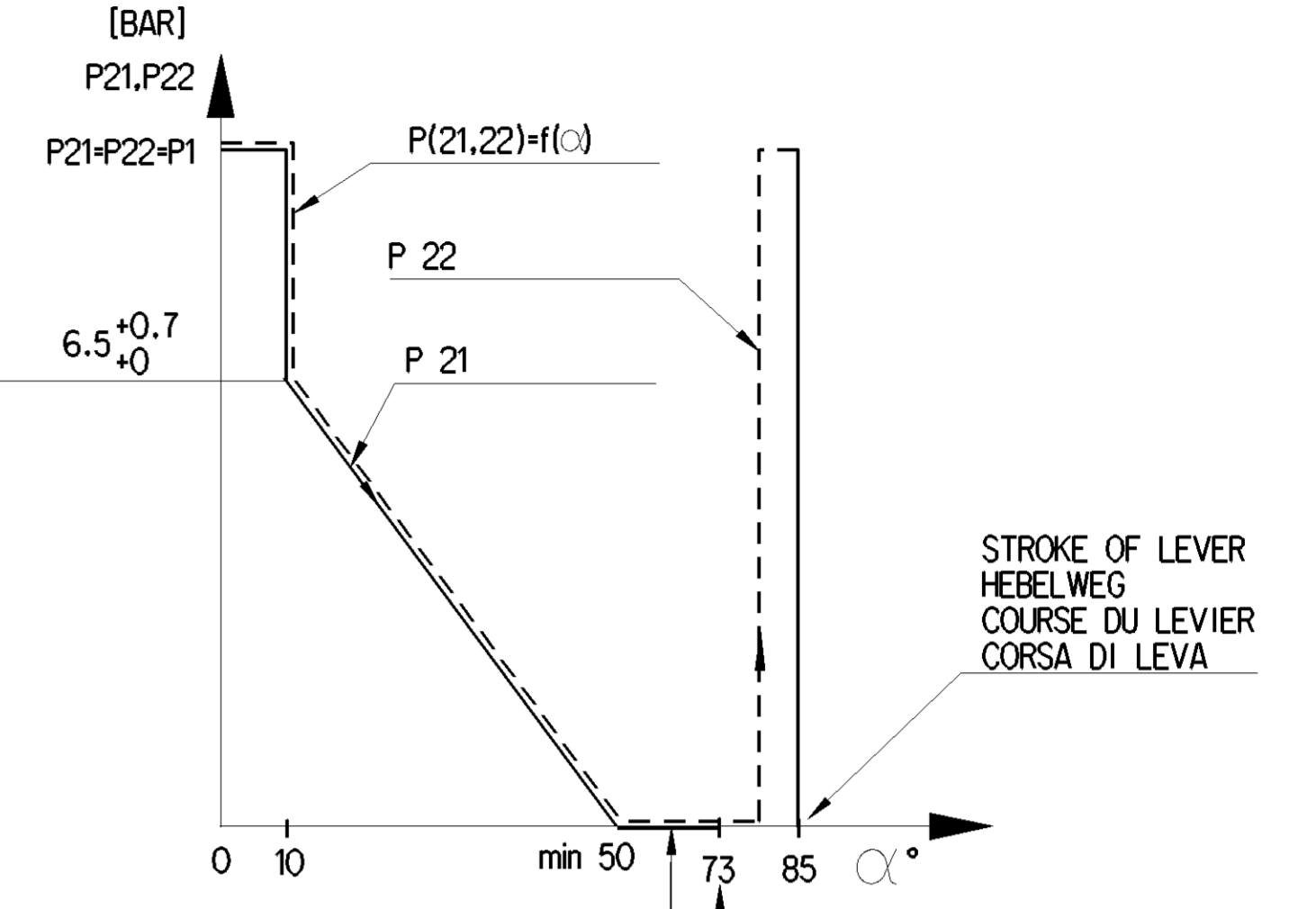
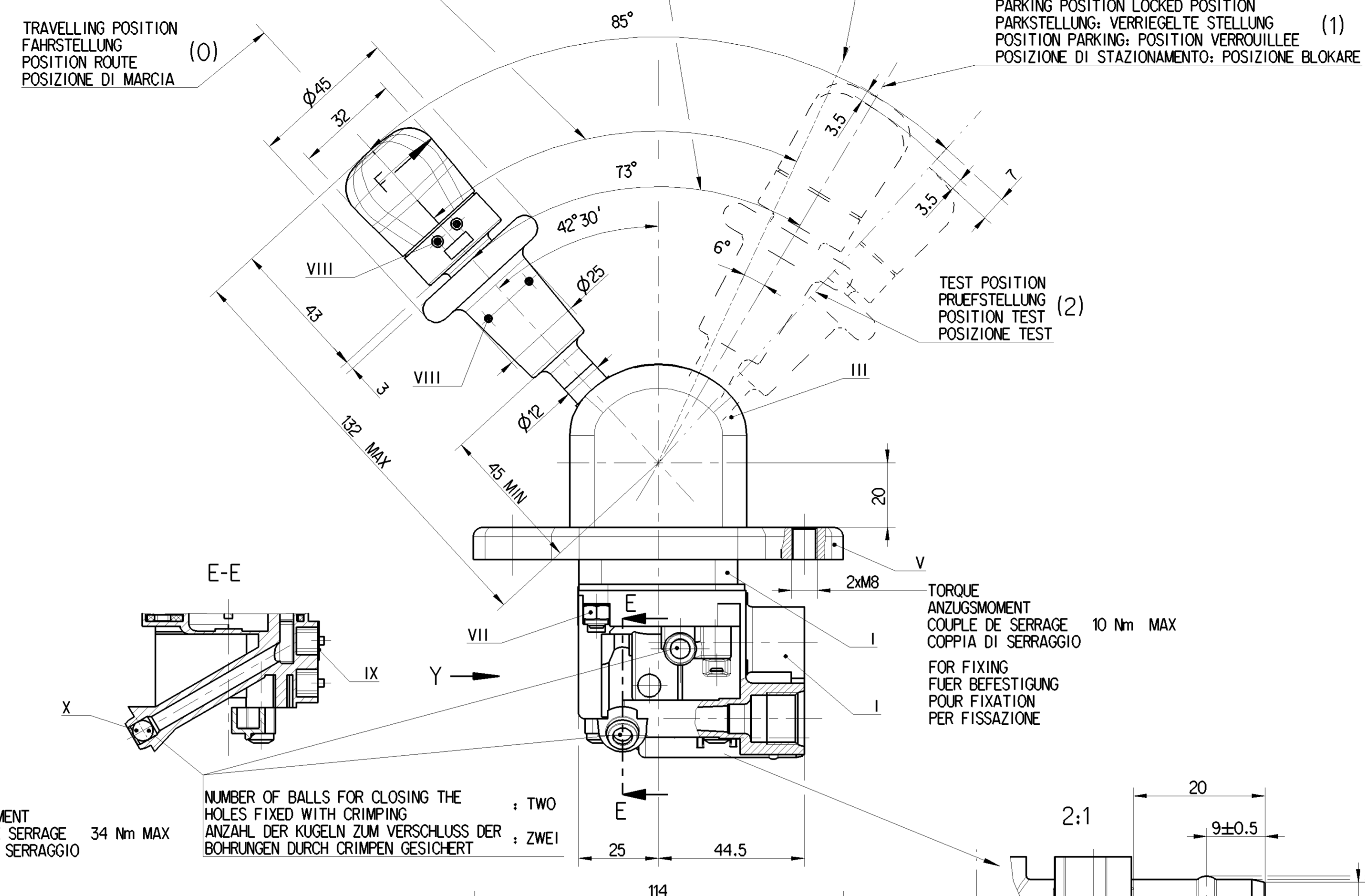
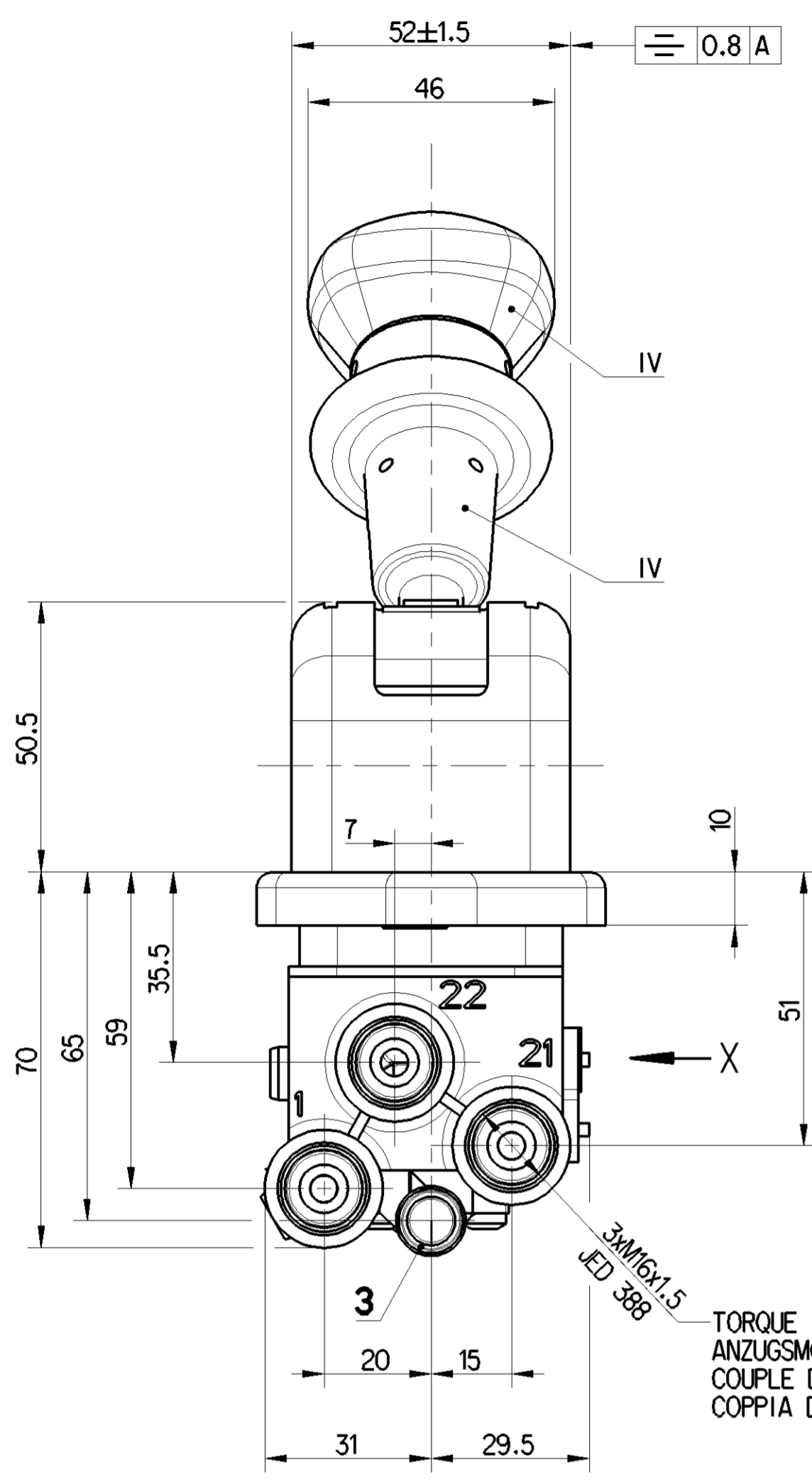
AUTOMATIC RETURN  
 AUTOMATISCHER RUECKLAUF  
 RETOUR AUTOMATIQUE  
 RITORNO AUTOMATICO

FIRST PRESSURE POINT  
 DRUCKPUNKT  
 PUNTO DI RESISTENZA

DELIVERED PRESSURE DIAGRAM  
 AUSGESTEUERTER DRUCK DIAGRAM  
 DIAGRAMME DES PRESSIONS DELIVREES  
 DIAGRAMMA PRESSIONE FROGATA

FOR FUER  
 POUR  
 PER

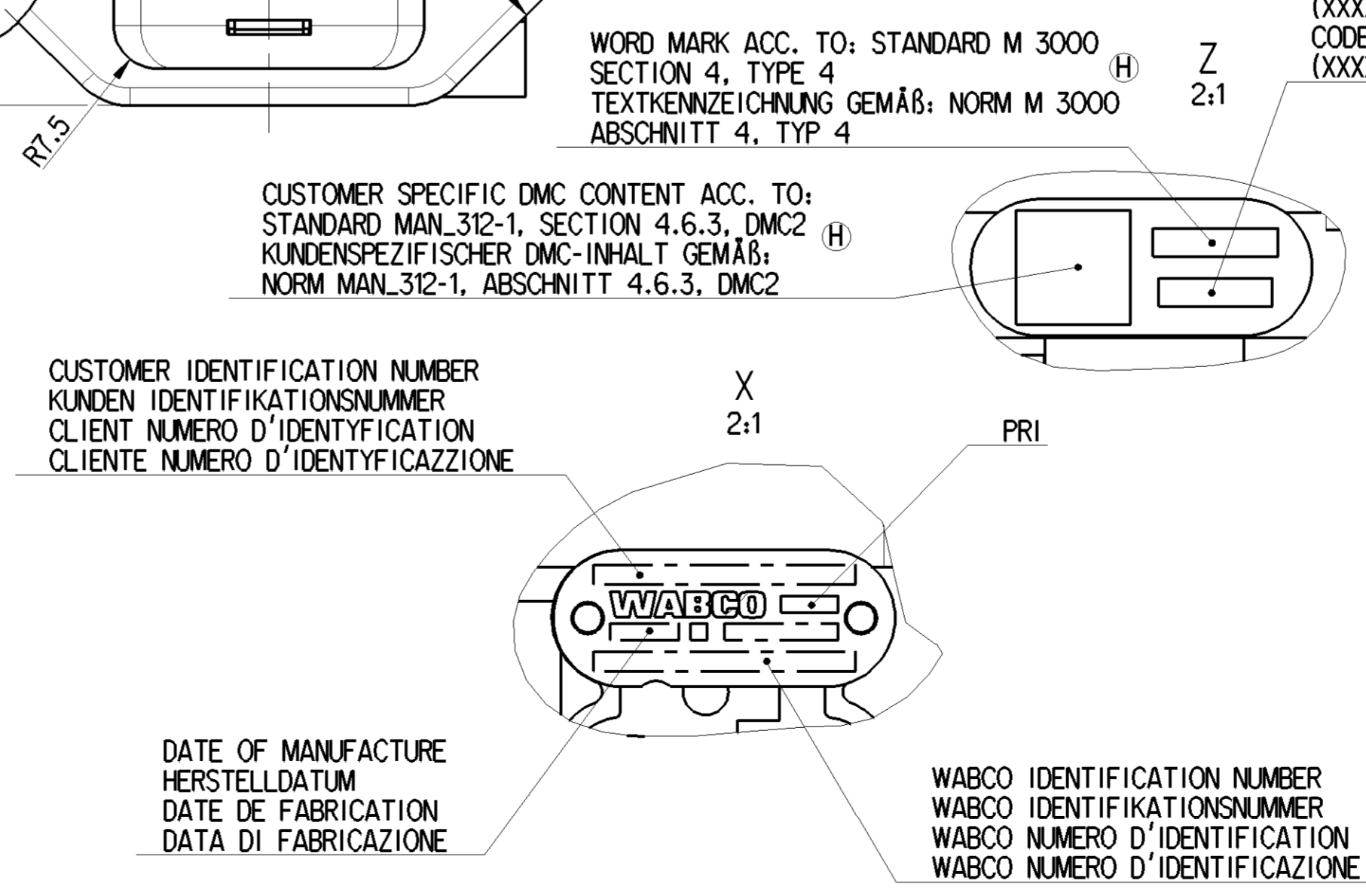
P1=8 BAR



<1>	SAFETY CHARACTERISTICS	1
<2>	SIGNIFICANT CHARACTERISTICS	1

①	SPECIFIC CUSTOMER LABEL SPEZIFISCH KUNDENETIKETT SPECIFIQUE ETIQUETTE DU CLIENT SPECIFICA ETICHETTA DEL CLIENTE	
1	SUPPLY VORRAT ALIMENTATION ALIMENTAZIONE	
21	SPRING BRAKE CYLINDER FEDERSPEICHERZYLINDER CYLINDRE A RESSORT CILINDRO A MOLLA	
22	TRAILER CONTROL VALVE ANHAENGER STEUVENTIL VALVE DE CONTROLE DE REMORQUE VALVOLA DI CONTROLL DI RIMORCHIO	
3	EXHAUST ENTLUEFTUNG ECHAPPEMENT SCARICO	
	MEDIUM: AIR MEDIUM: LUFT FLUIDE: AIR FLUIDO: AIRIA	
	THERMICAL RANGE THERMISCHER ANWENDUNGSBEREICH TEMPERATURE D'UTILISATION TEMPERATURA DI UTILIZZAZIONE	-40°C - +80°C
	EXCEPTIONAL INLET PRESSURE EINGESTEUERTER DRUCK KURZZEITIG PRESSION D'ALIMENTATION EXCEPTIONNELLE PRESSIONE DI ALIMENTAZIONE ECCEZIONALE	P1=12.5bar
	SUPPLY PRESSURE VORRATSDRUCK PRESSION PNEUMATIQUE D'ALIMENTATION PRESSIONE PNEUMATICA DI ALIMENTAZIONE	P1=10 BAR MAX

	MATERIAL MATERIALE	SURFACE PROTECTION OBERFLÄCHENSCHUTZ PROTECTION DE SURFACE
I	JED-004M / Zn	JED-260 / (Passivation of Zn alloy)
II	JED-005M2 / POM	
III	JED-776-1 / PC+ABS	
IV	AKULON S240C / PA 6.6	
V	JED-029M3 / Al	JED-259 / (Passivation of Al alloys)
VI	JED-679-0 / Carbon steel	JED-206-0 / (Passivation, Zn-Steel)
VII	JED-051M2 / Unalloyed steel	JED-257 / (Passivation, Zn alloy-Steel)
VIII	JED-061M0 / Stainless steel	
IX	JED-077-1 (JED-621 optional) / Al	JED-007-1 (Anodic oxidation)
X	JED-619 / Stainless steel	



CODE FORMAT: -XXXX  
 (XXXX -> LAST 4 DIGITS OF MAN PART NUMBER)  
 CODE-FORMAT: -XXXX  
 (XXXX -> DIE LETZTEN 4 STELLEN DER MAN-TEILENUMMER)

CUSTOMER SPECIFIC DMC CONTENT ACC. TO:  
 STANDARD MAN\_312-1, SECTION 4.6.3, DMC2  
 KUNDENSPEZIFISCHER DMC-INHALT GEMÄß:  
 NORM MAN\_312-1, ABSCHNITT 4.6.3, DMC2

General Specification: JED-334-1, Size ISO 14405 LP

Copyright WABCO®

Doc. Code: 035

2017-09-13

2017-09-15

WABCO

HAND BRAKE VALVE  
 HANDBREMSVENTIL  
 ROBINET DE FREINAGE A MAIN  
 ROBINETTO DI COMANDO A MAN

961 723 118 0

005 ML 1/1

174684

10x H 52E

Non è permesso copiare o riprodurre questo documento, né utilizzare il contenuto a fini commerciali, senza permesso scritto dalla WABCO. Toute réimpression ou communication de ce document, sans autorisation écrite de la WABCO, est formellement interdite. All rights reserved. No part of this document may be reproduced or transmitted in any form or by any means, electronic or mechanical, including photocopying and recording, or by any information storage or retrieval system, without prior written permission from WABCO.