

STROKE OF LEVER
HEBELWEG
COURSE DU LEVIER
CORSA DI LEVA

PARKING POSITION
POSITION PARKING
POSIZIONE DI STAZIONAMENTO

MARKING OF PORTS
KENNZEICHNUNG DER ANSCHLUESSE
MARQUAGE DES ORIFICES
MARCATURA DEGLI ORIFIZI

1	SUPPLY VORRAT ALIMENTATION ALIMENTAZIONE
21	SPRING BRAKE CYLINDER FEDERSPEICHERZYLINDER CYLINDRE A RESSORT CILINDRO A MOLLA
22	TRAILER CONTROL VALVE ANHAENGER STEUERVENTIL VALVE DE CONTROLE DE REMORQUE VALVOLA DI CONTROLLO DI RIMORCHIO
3	EXHAUST ENTLUEFTUNG ECHAPPEMENT SCARICO

GENERAL DATA
ALLGEMEINE DATEN
CARACTERISTIQUES GENERALES
CARATTERISTICHE GENERALI

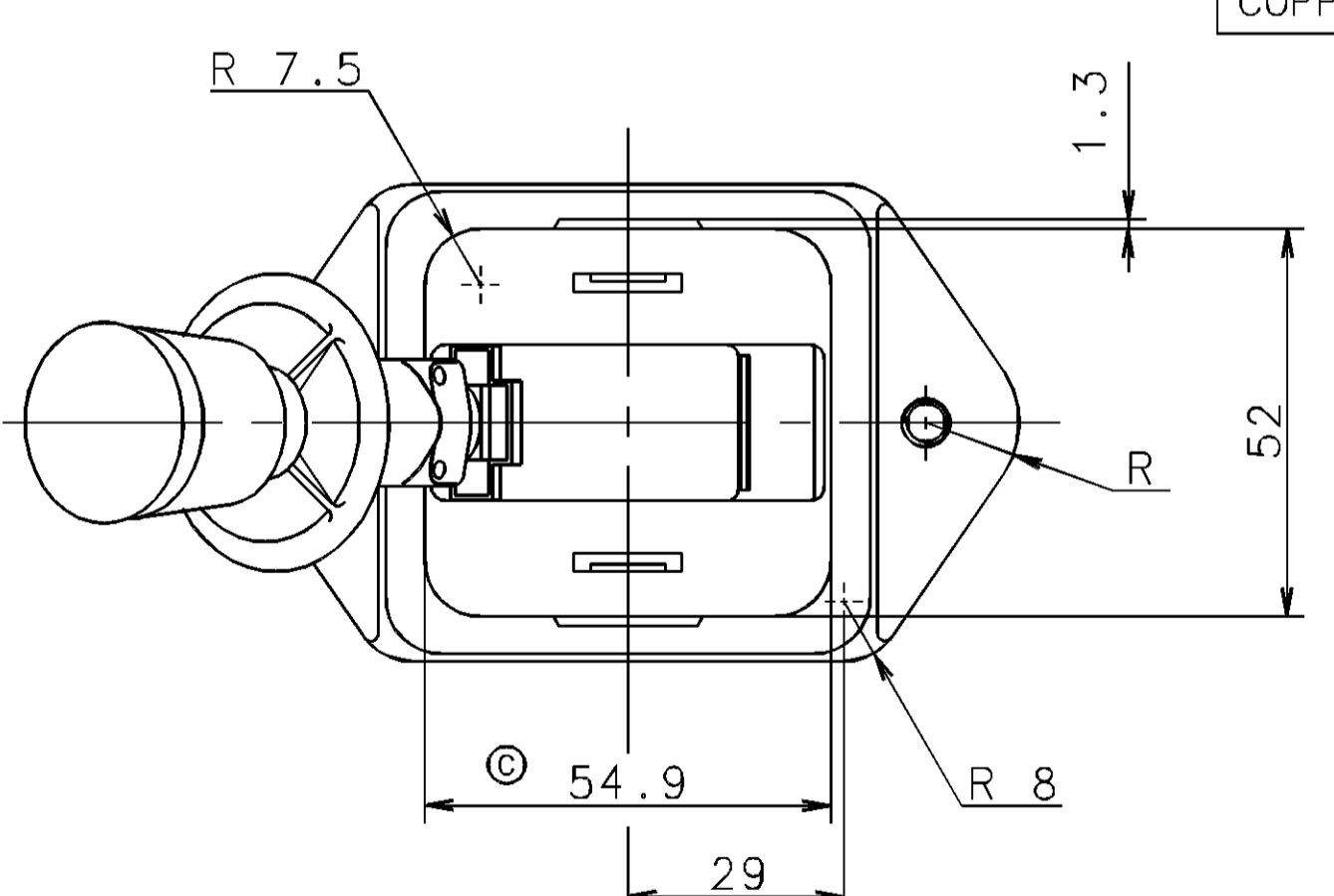
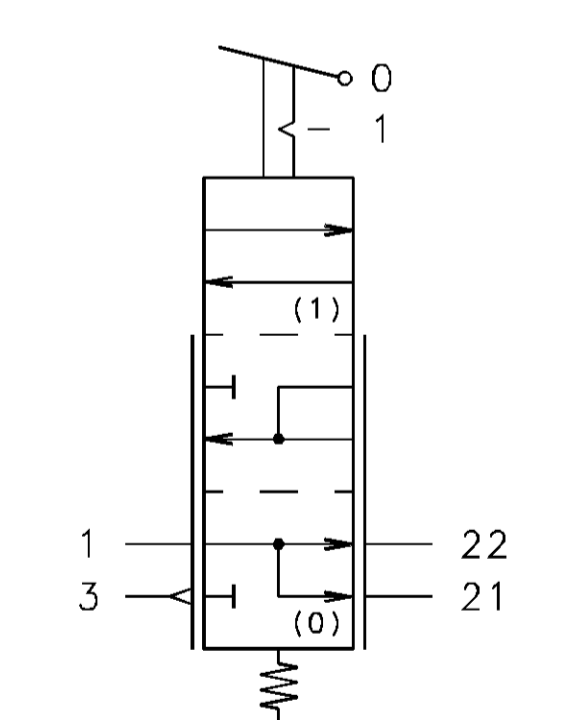
MEDIUM : AIR
MEDIUM : LUFT
FLUIDE : AIR
FLUIDO : ARIA

THERMAL RANGE
THERM ANWENDUNGSBEREICH
TEMPERATURE D'UTILISATION
TEMPERATURA DI UTILIZZAZIONE

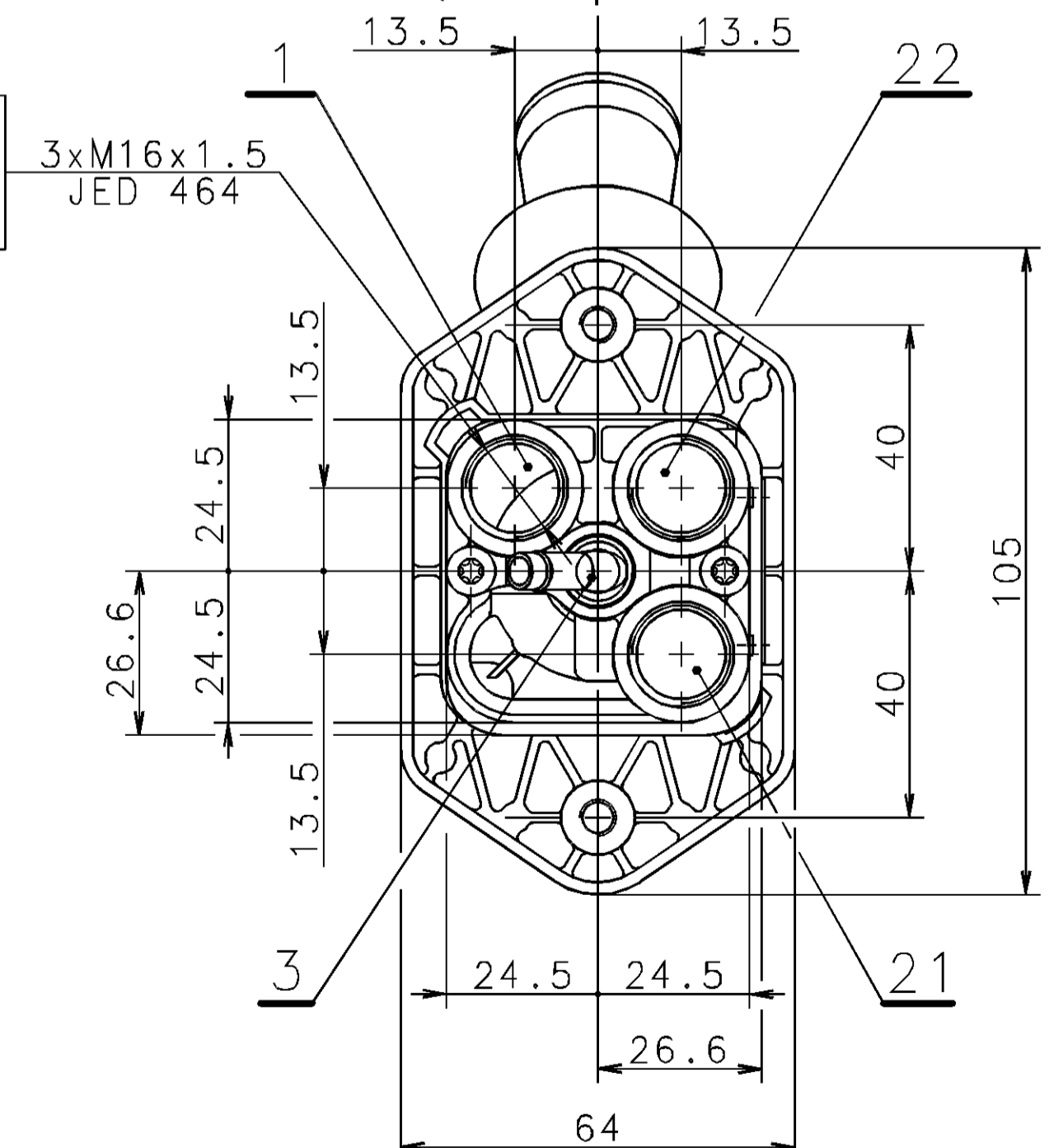
-40° C +80° C

P1 = 10 BAR MAX.

TESTING SHEME
SYMBOL
SCHEMA DE PRINCIPE
SCHEMA DI PRINCIPIO



TORQUE
ANZUGSMOMENT
COUPLE DE SERRAGE MAX. 34 Nm
COPPIA DI SERRAGGIO



VIEW
ANSICHT
VUE
VISTA

FURTHER TECHNICAL DATA SEE		L	
IDENTIFICATION NO.:		K	
CODE FOR DOCUMENT: 605 SHEET: TO		J	
GENERAL TOLERANCES		H	
RANGE OF NOMINAL DIMENSIONS (± mm)		G	
CLASS		F	
		E	
		D	
1	≤50	>50	>180
11	1.0	2.0	3.0
111	2.0	3.5	5.0
TAPPED HOLES ACC. ISO 4039 / JED-152		96088	1xC 96-03-27
1) TOLERANCE CLASS APPLIED CROSSMARKED		95226	7xB 95-09-28
		92197	1xA 92-12-10
		DCN-NO.	REV.
		DATE	
		SCALE	1:1
		SIZE	A 1 210
		CODE F.PROD.-GROUP	521
		CODE FOR SHAPE	
		REPLACEMENT FOR	

THIS DRAWING IS THE PROPERTY OF WABCO. IT IS TO BE USED ONLY FOR THE PURPOSES AND IN THE QUANTITIES SPECIFIED IN THE ORDER. IT IS NOT TO BE REPRODUCED OR TRANSMITTED IN ANY FORM OR BY ANY MEANS, ELECTRONIC OR MECHANICAL, INCLUDING PHOTOCOPYING, RECORDING, OR BY ANY INFORMATION STORAGE AND RETRIEVAL SYSTEM. WABCO ASSUMES NO LIABILITY FOR THE REGISTRATION OF AN UTILITY MODEL OR DESIGN.