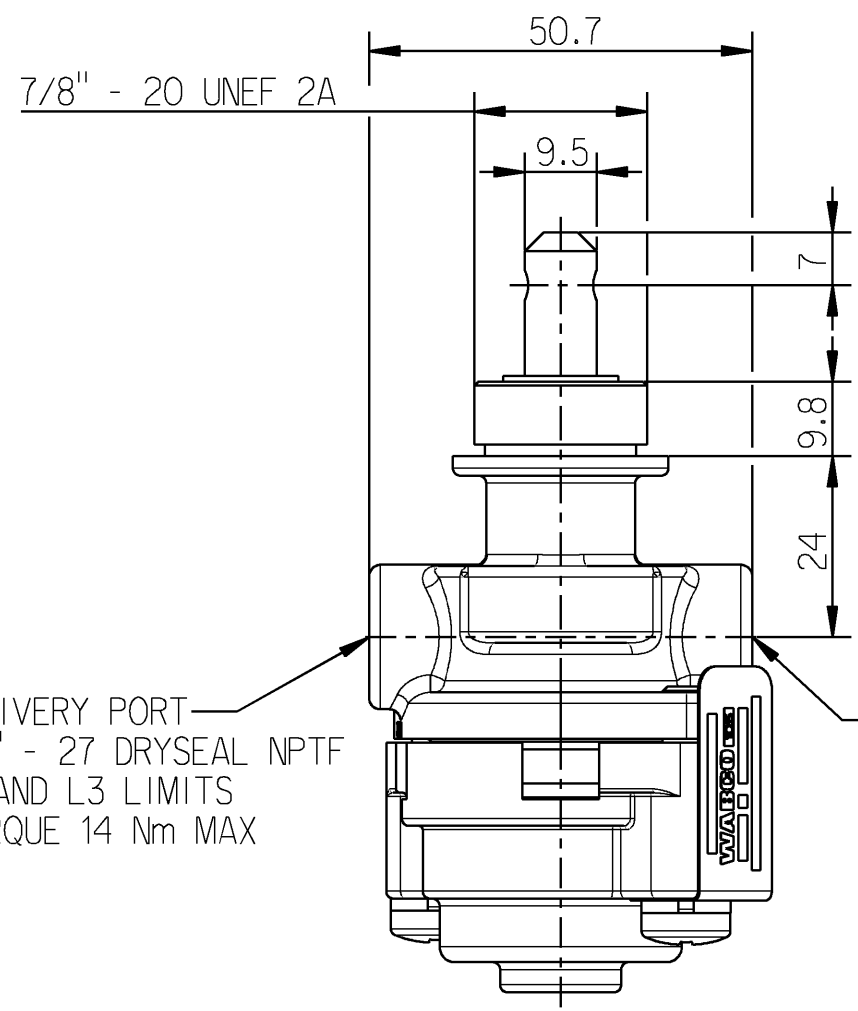


Non e permesso consegnare a terzi o riprodurre questo documento, ne utilizzare il contenuto o renderlo comunque noto a terzi senza autorizzazione esplicita. Ogni infrazione costituirà un evidente abuso e comporterà il risarcimento dei danni subiti. E' fatto riserva di tutti i diritti derivanti da brevetti o modelli.

Toute communication ou reproduction de ce document, toute exploitation ou communication de son contenu sont interdites, sauf autorisation expresse. Tout manquement a cette regle constitue un abus evident et expose son auteur au versement de dommages et interets. Tous droits de propriete industrielle reserves, notamment en matiere de brevets et de modesles.

Copying of this document and giving it to others and the use or communication of the contents thereof, are forbidden without express authority. Controvention of this restriction will constitute an evident abuse and result in a liability to the payment of damages. All rights are reserved in the event of the grant of patent or registration of a utility model or design. This document is the subject of copyright.

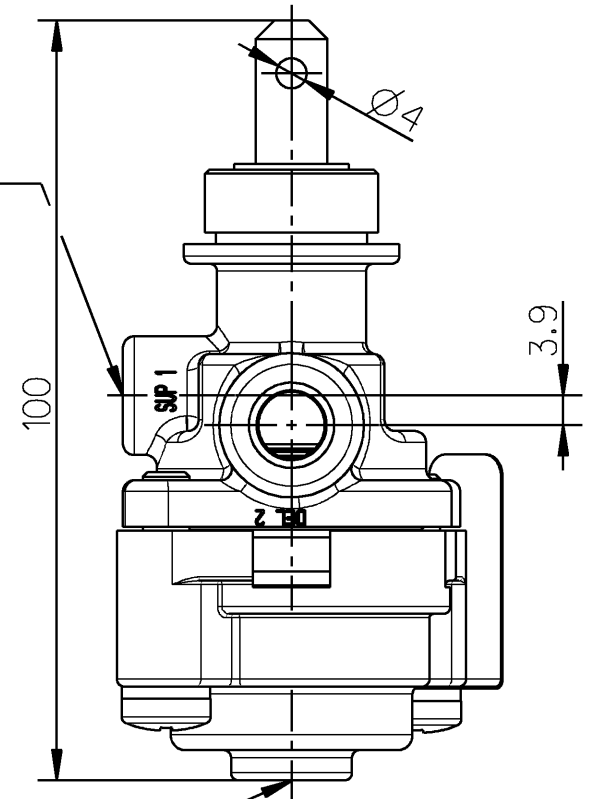
Weitergabe sowie Vervielfaeltigung dieser Unterlage, Verwertung und Mitteilung ihres Inhalts nicht gestattet, soweit nicht ausdruercklich zugestanden. Zuwiderhandlungen stellen einen offensichtlichen Missbrauch dar und verpflichten zu Schadenersatz. Alle Rechte fuer den Fall der Patentierung oder Gebrauchsmuster-Eintragung vorbehalten.



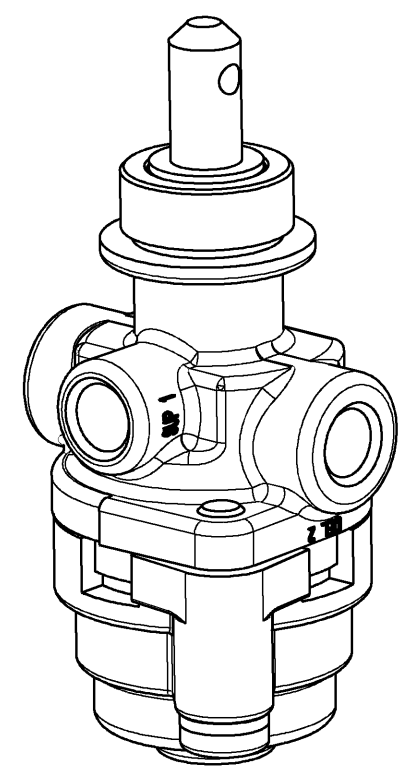
DELIVERY PORT
1/8" - 27 DRYSEAL NPTF
L1 AND L3 LIMITS
TORQUE 14 Nm MAX

DELIVERY PORT
1/8" - 27 DRYSEAL NPTF
L1 AND L3 LIMITS
TORQUE 14 Nm MAX

SUPPLY PORT 1/8" - 27
DRYSEAL NPTF
L1 AND L3 LIMITS
TORQUE 14 Nm MAX



CONTROL PORT
1/8" - 27 NPTF
L1 AND L3 LIMITS
TORQUE 14 Nm MAX



SUPPLIER CODE - 105
SHOWN HERE.

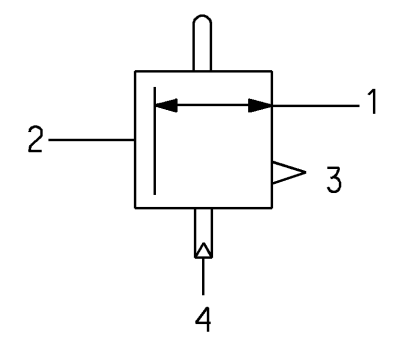
CUSTOMER PART No. R955281946
SHOWN HERE

CUSTOMER'S WEEK AND
YEAR OF MANUFACTURE
SHOWN HERE.

SERIAL No.
SHOWN HERE.

PART No.
SHOWN HERE.

TECHNICAL DATA:
 WORKING MEDIUM : AIR
 THERMAL RANGE OF APPLICATION : -40°C TO +80°C
 MAX. WORKING PRESSURE : 9.4 bar
 INSTALLATION POSITION : OPTIONAL
 AUTOMATIC RELEASE PRESSURE : 2.55 ±0.35 bar
 OPEN PORTS AND MALE THREADS ARE FITTED WITH CLOSURE PLUGS
 AND CLOSURE SLEEVES FOR STORAGE AND TRANSIT PURPOSES
 TENSION PIN, BOOT, NUT WILL BE SUPPLIED AS LOOSE PARTS



- 1. SUPPLY
- 2. DELIVERY
- 3. EXHAUST
- 4. CONTROL

General Specification: JED-334-0		Copyright WABCO®		WABCO				
Further Technical Data: 961 790 003 0		Date	Signature					
Doc. Code: 035	Sheet: 1 To 5	Drawn		PUSH-PULL CONTROL VALVE WITH PILOT RELEASE - PPPC (A)				
General Tolerances JED-261		2011-12-28 R RAJU						
Range of Nominal Dimensions (± mm)		Checked						
Class 1) ≤ 50 > 50 > 180 > 400 > 400		2011-12-28 MUTHUMANICKAM						
Fine 0.5 1.0 1.5 2.0		Expert		Date of first issue: 2005-12-13				
Medium X 1.0 2.0 3.0 4.0 ±3°		Mass	Scale			Material No.		
Coarse 2.0 3.5 5.0 6.5		0.328 KG	1:1			961 790 003 0		
Tapped Holes acc. JED-686		Size	CAD System	ECN-No.	Revision	Techn. Resp.	Replacement for	
1) Tolerance Class Applied Crossmarked		A 3	Pro/E	157380	1	A	5215	M303801