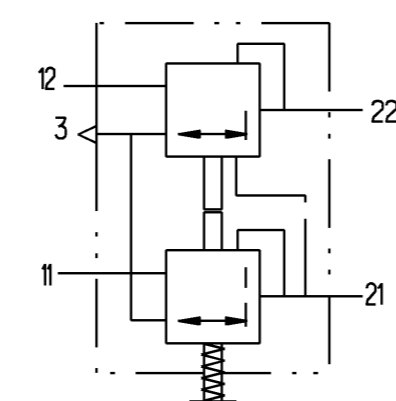


AT FAILURE CIRCUIT 1 : NECESSARY COURSE  $S \geq 7.0$  mm  
NECESSARY FORCE  $F = 3340$  N

\*) STOP WITHIN THE DEVICE ADMISSIBLE  
MAXIMUM OPERATING FORCE ADMISSIBLE 22500 N



PORT SUP 11: AIR INLET PORT  
PORT SUP 12: AIR INLET PORT  
PORT DEL 21: AIR DELIVERY PORT  
PORT DEL 22: AIR DELIVERY PORT

TECHNICAL DATA:-

- PORTS 11/12 : AIR INLET
- PORTS 21/22 : AIR DELIVERY
- MEDIUM : AIR
- THERMAL RANGE OF APPLICATION : -40°C TO +80°C
- MAXIMUM WORKING PRESSURE: 9.4 BAR
- OPEN PORTS ARE FITTED WITH CLOSURE PLUGS FOR STORAGE AND TRANSIT PURPOSES

General Specification: JED-334-0		Copyright WABCO®		<b>WABCO</b>	
Further Technical Data: 961 880 100 0		Date	Signature	BRAKE VALVE, IN CABIN - BVIC(B)	
Doc. Code: 035	Sheet: 1 To 9	2011-12-30	R RAJU		
General Tolerances JED-261		Checked		Expert: RVK	
Range of Nominal Dimensions (± mm)		Expert		A GANESAMOORTHY	
Class	1) ≤ 50	> 50 > 180	> 180 > 400	> 400	Δ
Fine	0.5	1.0	1.5	2.0	
Medium	X 1.0	2.0	3.0	4.0	±3°
Coarse	2.0	3.5	5.0	6.5	
Tapped Holes acc. JED-686		Mass	Scale	Material No.	
1) Tolerance Class Applied Crossmarked		1.9	1:1	961 880 100 0	
		Size	CAD System	Doc. Code	Language
		A 1	Pro/E	005	EN
		Date of first issue: 2005-12-08		Sheet	
		157394		1/1	
		Revision	Techn. Resp.	Replacement for	
		1	B	M304453	

Toute communication de reproduction de ce document, sans autorisation écrite préalable, est formellement interdite. Toute utilisation non autorisée de ce document est formellement interdite. Toute utilisation non autorisée de ce document est formellement interdite.