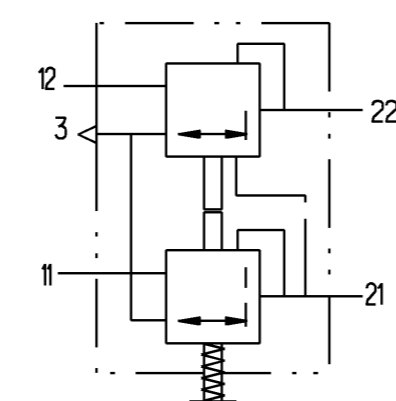


AT FAILURE CIRCUIT 1 : NECESSARY COURSE  $S \geq 7.0$  mm  
NECESSARY FORCE  $F = 3340$  N

\*) STOP WITHIN THE DEVICE ADMISSIBLE  
MAXIMUM OPERATING FORCE ADMISSIBLE 22500 N



PORT SUP 11: AIR INLET PORT  
PORT SUP 12: AIR INLET PORT  
PORT DEL 21: AIR DELIVERY PORT  
PORT DEL 22: AIR DELIVERY PORT

TECHNICAL DATA:-

- PORTS 11/12 : AIR INLET
- PORTS 21/22 : AIR DELIVERY
- MEDIUM : AIR
- THERMAL RANGE OF APPLICATION : -40°C TO +80°C
- MAXIMUM WORKING PRESSURE: 9.4 bar
- OPEN PORTS ARE FITTED WITH CLOSURE PLUGS
- FOR STORAGE AND TRANSIT PURPOSES

General Specification: JED-334-0		Copyright WABCO®		<b>WABCO</b>	
Further Technical Data: 961 880 100 0		Date	Signature	BRAKE VALVE, IN CABIN - BVIC (A)	
Doc. Code: 035	Sheet: 1 To 9	2011-12-30	R RAJU		
General Tolerances JED-261		Checked		Expert: RVK	
Range of Nominal Dimensions (± mm)		Expert: A GANESAMOORTHY			
Class	1) ≤ 50	> 50 > 180	> 180 > 400	> 400	Δ
Fine	0.5	1.0	1.5	2.0	
Medium	X 1.0	2.0	3.0	4.0	±3°
Coarse	2.0	3.5	5.0	6.5	
Tapped Holes acc. JED-686		Mass	Scale	Material No.	
1) Tolerance Class Applied Crossmarked		1.9	1:1	961 880 105 0	
		Size	CAD System	Date of first issue: 2007-04-04	
		A 1	Prv/E	Doc. Code	Language
		157394	1	005	EN
		1	A	5180_WIN	1/1
		EDW-No.	Revision	Techn. Resp.	Replacement for
					M304321

Toute communication de reproduction de ce document, sans autorisation écrite préalable, est formellement interdite. Toute utilisation non autorisée de ce document est formellement interdite. Toute utilisation non autorisée de ce document est formellement interdite.