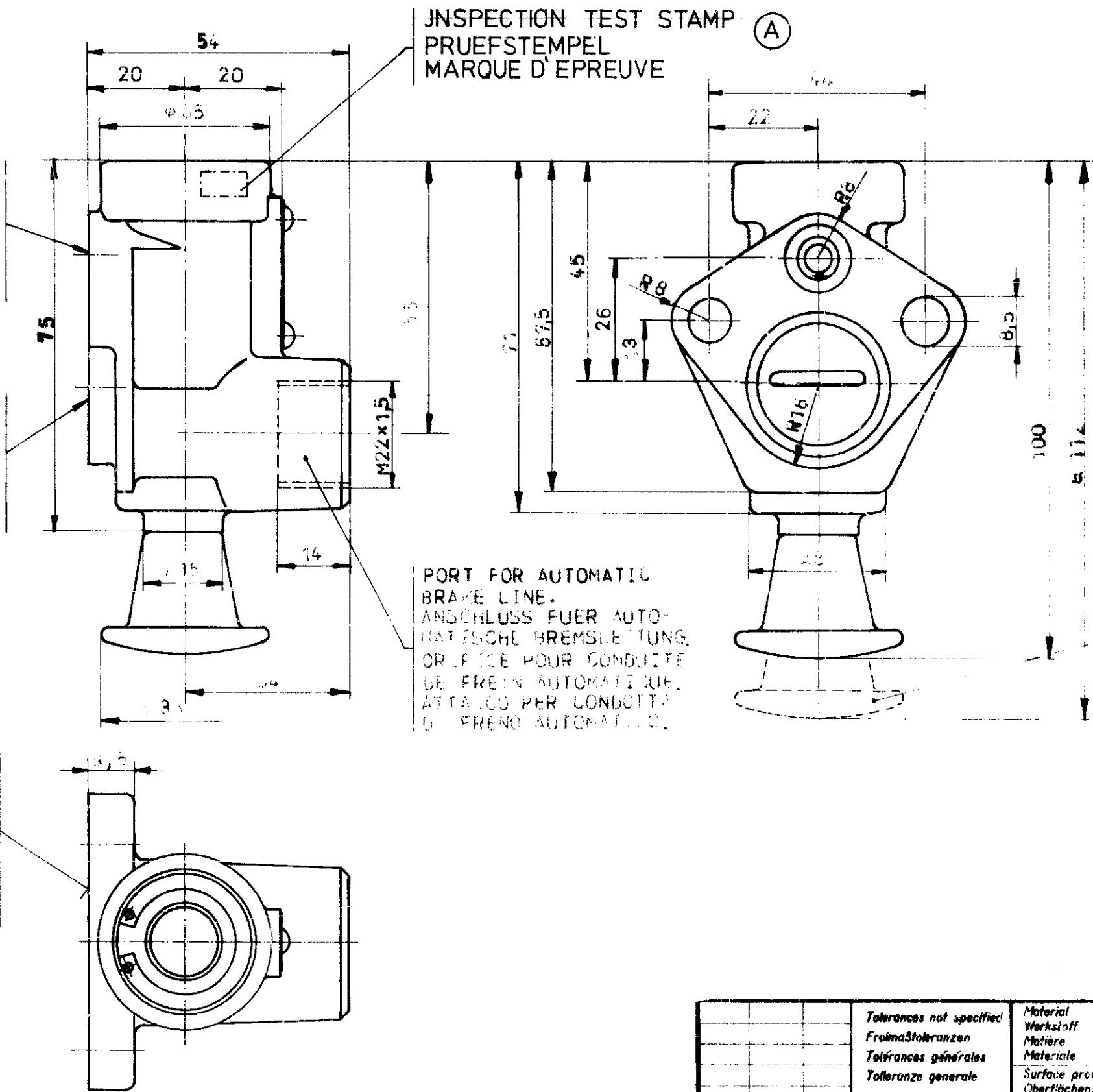


O-RING 8x19 NO.  
 O-RING 8,9x1,9 NO.  
 JOINT TORIQUE 8,9x1,9 NO. 8970866704  
 ANELLO "O-RING" 8x1,9 NO.

O-RING 24x2 NO.  
 O-RING 24x2 NO.  
 JOINT TORIQUE 24x2 NO. 8970866804  
 ANELLO "O-RING" 24x2 NO.

FLANGE FOR RELAY EMERGENCY VALVE.  
 FLANSCHANSCHLUSS FUER ANHAENGER-STEUEVENTIL.  
 FLASQUE POUR VALVE RELAIS D'URGENCE.  
 FLANGIA PER VALVOLA RELE D'URGENZA.

ADMISSIBLE TEMPERATURES  
 THERM ANWENDUNGSBEREICH -40°...+80°C  
 TEMPERATURE DE SERVICE  
 TEMPERATURA D'ESERCIZIO



SERVICE PRESSURE  
 BETRIEBSDRUCK  
 PRESSION DE SERVICE  
 PRESSIONE D'ESERCIZIO

MEDIUM AIR  
 MEDIUM LUFT  
 MILIEU AIR  
 FLUIDO ARIA

RELEASE POSITION  
 OEFESTELLUNG  
 POSITION DE DESSERRAGE  
 POSIZIONE DI SCARRABO

			Tolerances not specified Freimaßtoleranzen Tolérances générales Tolleranze generale	Material Werkstoff Matière Materiale	Supplied as Lieferzustand Etat de livraison Stato di consegna
				Surface protection Oberflächenschutz Protection Protezione	Mean value of roughness Ra in μm Mittenrauhwert Ra in μm Valeur de la rugosité Ra en μm Valore della rugosità Ra in μm
395	A	22.7.71	Scale Maßstab Echelle Scala	Treatment Behandlung Traitement Trattamento	Blank no. Rohteilnummer No. pièce brute No. pezzo grezzo
			Revisions Änderungen Modifications Modifiche		
Drawn					
Checked					
Approved					
			TRAILER RELEASE VALVE ANHAENGER LOESEVENTIL VALVE DE DESSERRAGE DE REMORQUE		A 963 001 000 0
			WESTINGHOUSE JOINT ENGINEERING DEPARTMENT		Replacement for Ersatz für Remplace Sostituire